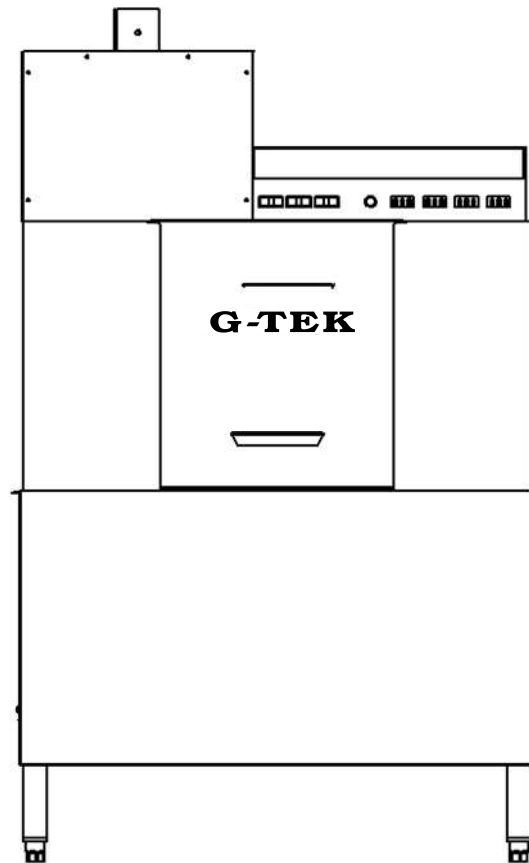


Conveyor Type
Dish Washer
Model
CR1/HR

Global-Tek Machinery Pte Ltd

Model: CR-1/HR

**Single Tank Conveyor
w/Heat Recovery Dish Washer**

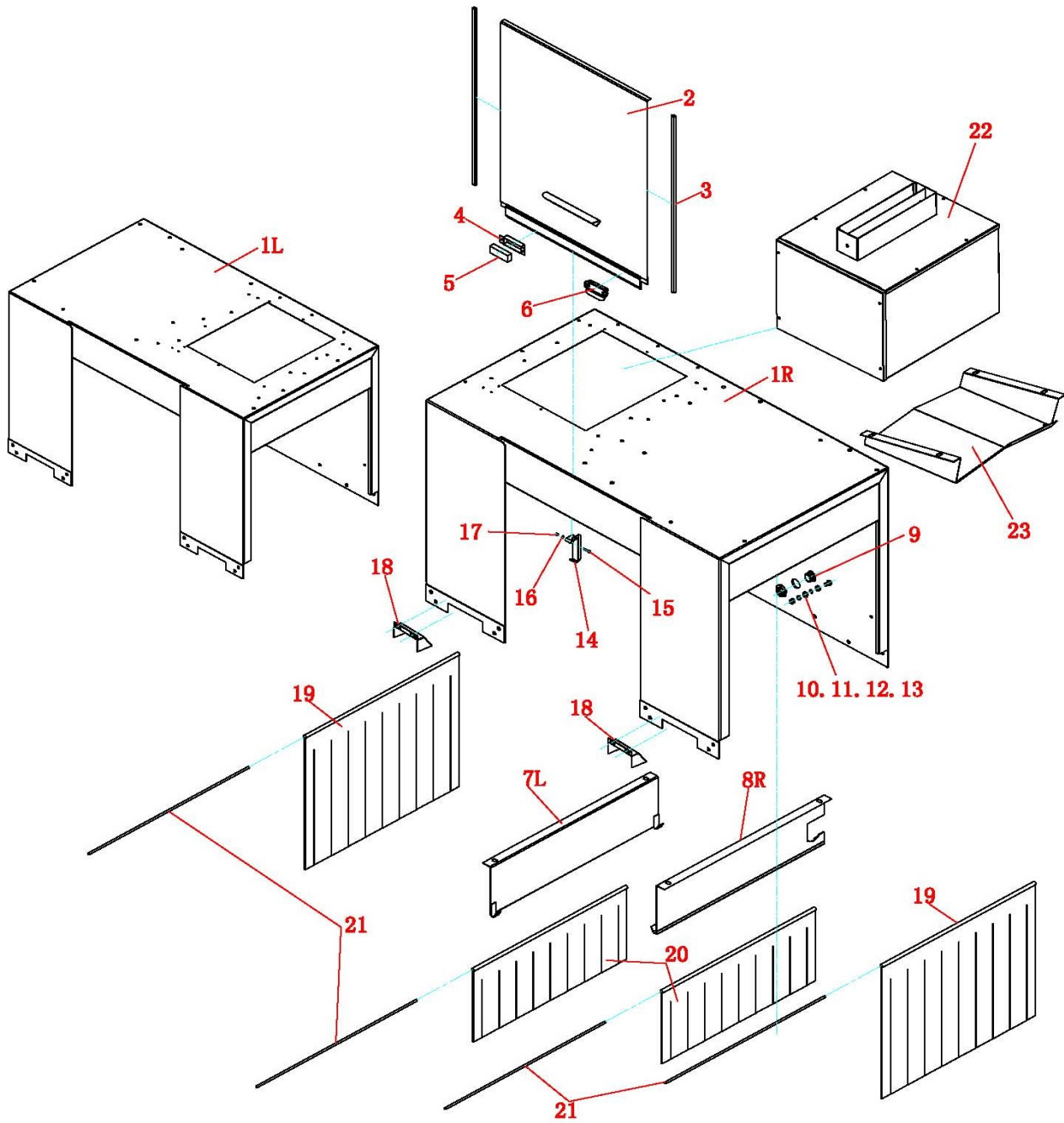


For 9C45L0000 & 9C45R0000

Contents

Wash Chamber.....	3-4
Wash Tank Assembly.....	5-6
Conveyor Rail Assembly.....	7
Conveyor Transmission Assembly.....	8
Wash Arm and Wash Pump/Motor Assembly.....	9-11
Rinse Arm Assembly	12-13
Conveyor Motor Assembly.....	14-15
Booster Heater Assembly.....	16-17
Control Panel.....	18-19
Heat Recovery Assembly.....	20-21
Heat Recovery / Booster Heater Pipping Assembly.....	22-23

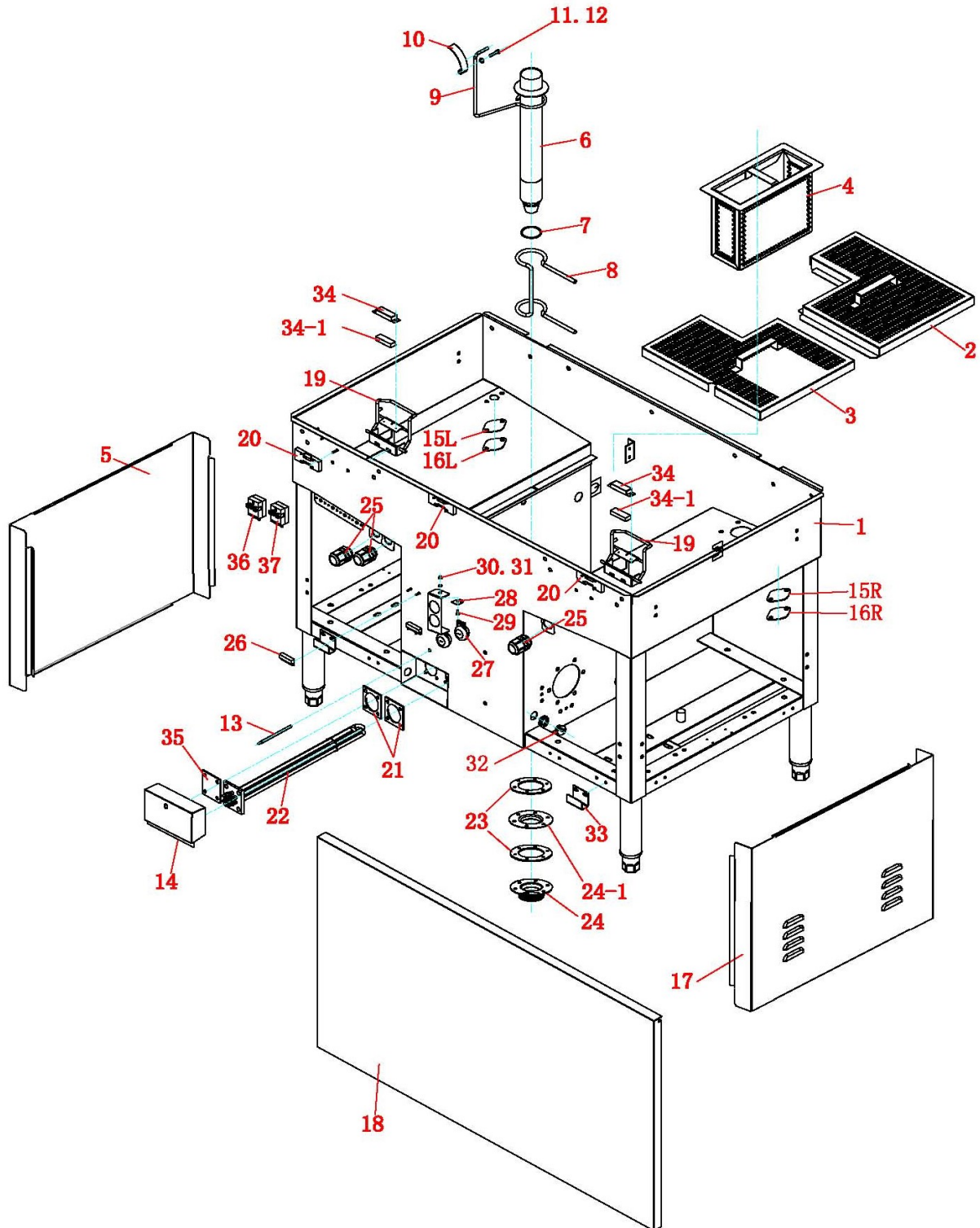
Wash Chamber



Wash Chamber

Item No.	Parts No.	Parts Name	Qty
1R	0T1S-20000A-R	Upper Hood (for L-R machine)	1
1L	0T1S-20000A-L	Upper Hood (for R-L machine)	1
2	0T2D-65331	Door panel	1
3	F003-65326-02	Door Strip	2
4	0T2D-65318-8	Magnet Cover	1
5	A005-10X17X51-01	Magnet	1
6	0CD-YQ23-314	Drain Closer	1
7L	0T2D-65324-L	Splash Restrictor	1
8R	0T2D-65322-R	Splash Restrictor	1
9	F005-M22-01	Hole Plug	1
10	E013-M10-01	Hexagonal Nut	1
11	E011-M10-01	Spring Washer	1
12	E012-M10-01	Flat Washer	2
13	E009-M10X20-01	Hex Bolt	1
14	0T2D-65330	Pothook	1
15	E010-M5X30-01	Hexagon Socket Screw	1
16	E012-M5-01	Flat Washer	1
17	E015-M5-01	Jam Nut	1
18	0T2D-65320	Magnet Switch Housing	2
19	F031-T1D-01	Long Curtain	2
20	F031-T1D-02	Short Curtain	2
21	C004-D8-01	Curtain Rod	4
22	OT1S-21411-SG	Heat Recovery Hosuing	1
23	0T1S-21404	Splash Restrictor	1

Wash Tank Assembly

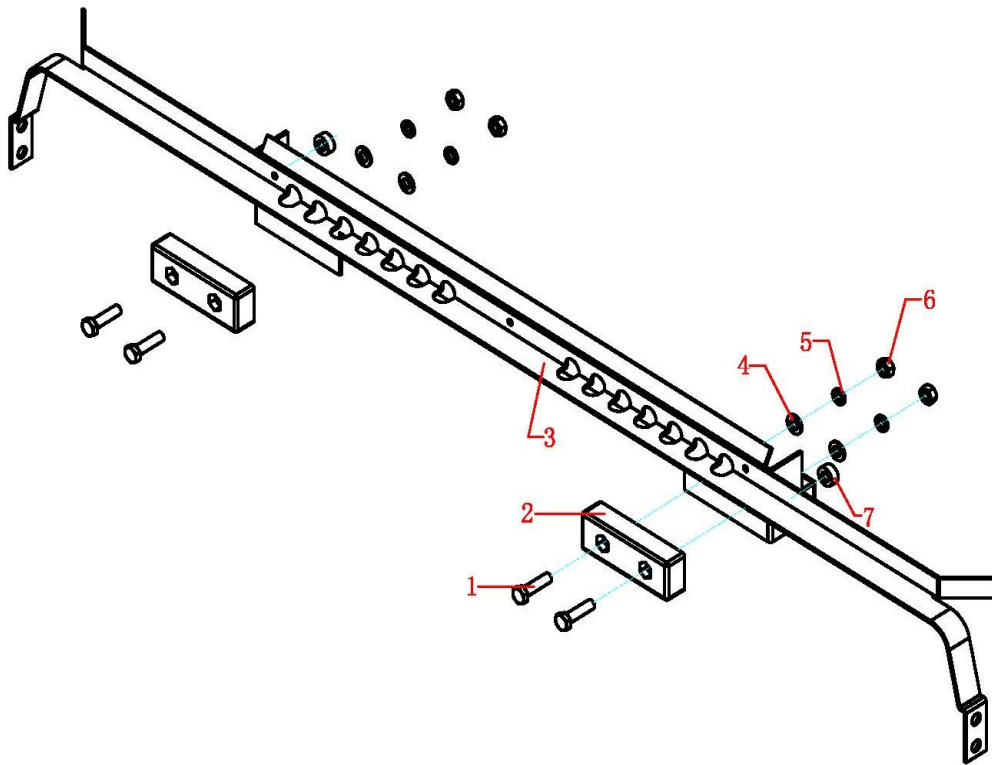


Wash Tank Assembly

Item No.	Parts Series No.	Parts Name	Qty
1	0T1DA-10000	Wash Chamber	1
2	0T2D-65303	Scrape Tray (Back)	1
3	0T2D-65302	Scrape Tray (front)	1
4	0T2D-65301	Basket	1
5	0T2D-65335-1	Side Panel (left)	1
6	0T2D-65307	Drain pipe	1
7	F002-34.5X5.3-01	O Ring	1
8	0T2D-65B-310	Drain Guide	1
9	0T2D-65311-2	Drain Left Arm	1
10	0T2D-65311-1	Drain Left Handle	1
11	E010-M6X30-01	Hexagon socket screw	1
12	E012-M6-01	Flat Washer	1
13	G065-WZJ/4010/2-01	Thermo Sensor	1
14	0T2DA-10301-6	Heater Lid	1
15 R/L	F001-50317-01	Oval Gasket	1
16 R/L	0T2D-65323	Oval Cover	1
17	0T1D-65B-335-1	Side Panel (Right)	1
18	0T1D-65334	Front Panel	1
19	0T2D-65318A	On/Off or Rinse Activator	2
20	0T2D-70308	Magnet Switch (Start/Stop, Rinse, Door)	3
21	F001-40309-01	Heater Gasket	2
22	G005-9KW-02	Heating Element	1
23	F001-65309A-01	Drain Gasket	2
24	0T2DA-65308-01	Drain	1
24-1	0T2DA-65308-02	Drain Frank	1
25	G030-PG16-01	Conduit	3
26	0JD-65998A	Magnet switch	2
27	0T2D-70309	Float Ball	2
28	0CD-YQ23-318	Float Ball Card	2
29	E002-M6X10-01	Float Ball Screw	2
30	E012-M6-01	Flat Washer	2
31	E015-M6-01	Nut	2
32	F005-M22-01	Probe Hole Plug	2
33	0T2D-65328	Lower Front Panel Bracket	2
34	0T2D-65318-8	Magnet Cover	2
34-1	A005-10X17X51-01	Magnet	2
35	0T2D-40305	Heater Hole Cover	1
36	G021-110C-01	Thermostat 110°C	1
37	G021-86C-01	Thermostat 86°C	1

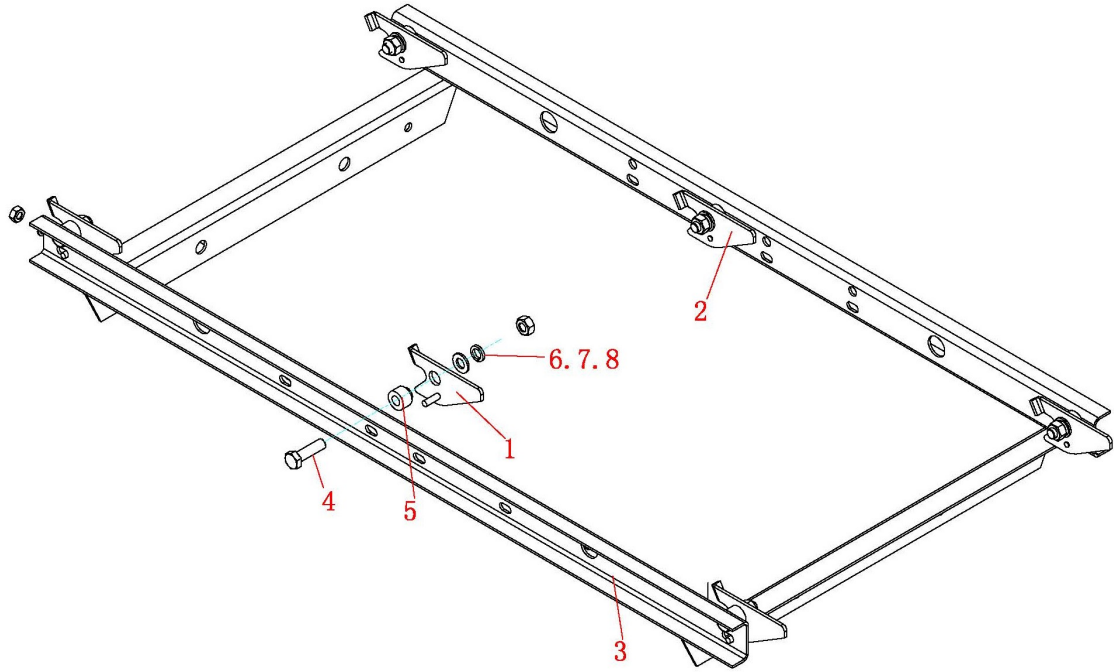
Conveyor Type
Dish Washer
Model :
CR-1/HR

Conveyor Rail Assembly



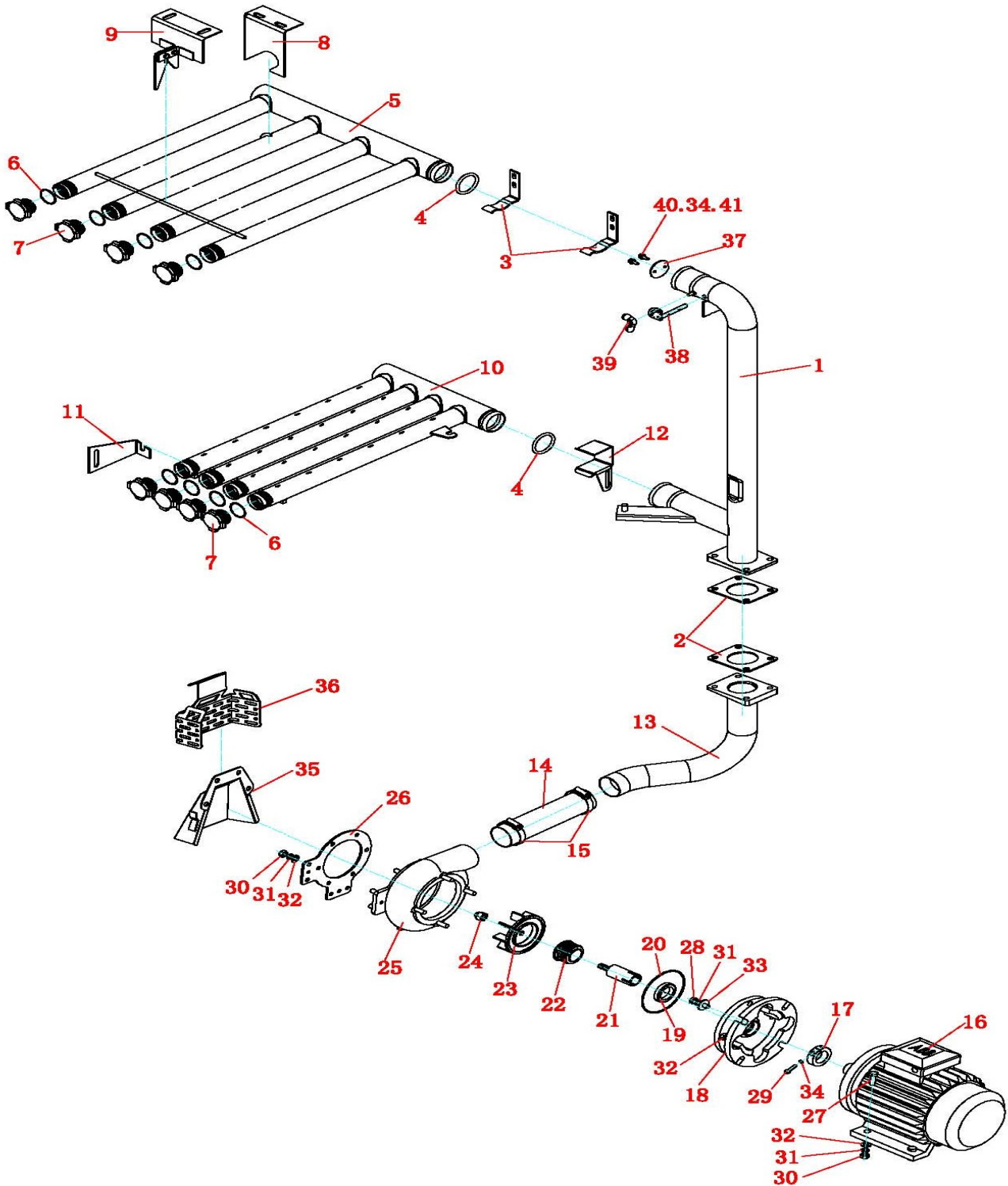
Item No.	Parts Series No.	Parts Name	Qty
1	E009-M8X25-01	Hex Bolt	4
2	F018-30311-01	Cushion Block	2
3	0T1D-30301	Rail	1
4	E012-M8-01	Flat Washer	4
5	E011-M8-01	Spring Washer	4
6	E013-M8-01	Hexagonal Nut	4
7	A012-30312-01 A012-30313-01	Pivot	2

Conveyor Transmission Assembly



Conveyor Transmission Assembly			
Item No.	Parts Series No.	Parts Name	Qty
1	0T2D-30306	Conveyor Dog - Left	3
2	0T2D-30305	Conveyor Dog - Right	3
3	0T2D-30303	Conveyor Track	1
4	E009-M10x30-01	Hex Bolt	6
5	A012-30310-01	Pivot	6
6	E012-M10-01	Flat Washer	6
7	E011-M10-01	Spring Washer	6
8	E013-M10-01	Hexagonal Nut	6

Wash Arm & Wash Pump/Motor Assembly

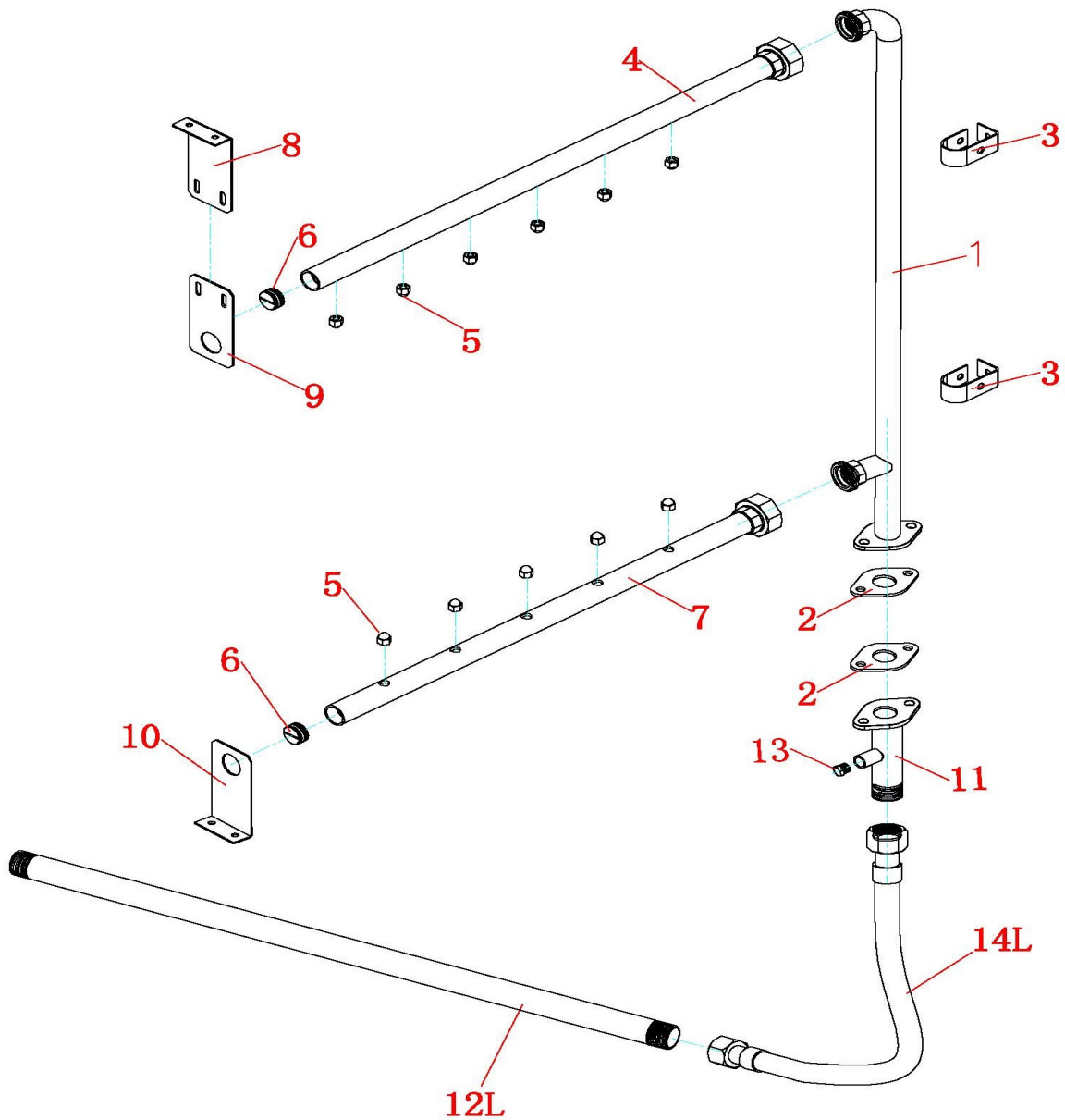


Conveyor Type Dish Washer, Model : CR-1/HR

Conveyor Type
Dish Washer
Model :
CR-1/HR

Item No.	Parts Series No.	Parts Name	Qty
1	0T2D-50301	Stand Pipe	1
2	F001-50305-01	Gasket	2
3	0T2D-50322	Bracket	2
4-7	0T2DA-SQXG-PJ	Upper Wash Arm Assy	1
4,6,7,10	0T2DA-XQXG-PJ	Lower Wash Arm Assy	1
4	F002-40X5.3-01	Wash Arm O Ring	2
5	0T2D-50303	Upper Wash Arm only (w/o end-cap & O-ring)	1
6	F002-28X2.65-01	O-ring for Wash Arm End-Cap	8
7	F007-50339-01	Wash Arm End-Cap (w/o O-ring)	8
8	0T2D-50323	Upper Wash Arm Bracket	1
9	0T2D-50324	Upper Wash Arm Mortise Lock	1
10	0T2D-50302	Lower Wash Arm (w/o end-cap & O-ring)	1
11	0T2D-50326	Lower Wash Arm Holder	1
12	0T2D-50325	Lower Wash Arm Bracket	1
13	0T2D-50304	Wash Arm Joint	1
14	F021-D51-01	Rubber Hose (18 cm)	1
15	E018-46X70-01	Hose Clamp	2
16-34	0T2DA-DJB-PJ	ABB 1.5 Kw Motor & Pump Assy (excluding 30 -32)	1
16	G002-1.5KW-04	1.5 Kw ABB Motor only	1
17	A012-60317-01	Coupling	1
18	G003-FJ-06	Frank Joint	1
19	G003-FJ-05	Gasket	1
20	G003-FJ-01	Pump O-ring	1
21	G003-FJ-07	Pump Shaft	1
22	G003-FJ-02	Pump Seal	1
23	G003-FJ-03	Pump Impeller	1
24	E014-M10-01	Hex Domed Cap Nut	1
25	G003-FJ-08	Pump Housing	1
26	F001-60319-01	Gasket	1
27	E009-M8X30-02	Hex Bolt	4
28	E009-M8X25-01	Hex Bolt	4
29	E010-M5X20-01	Hexagon Socket Screw	1
30	E011-M8-01	Spring Washer	14
31	E012-M8-01	Flat Washer	18
32	E013-M8-01	Hexagonal Nut	18
33	E012-M22XD8-01	Flat Washer	4
34	E011-M5-01	Spring Washer	3
35	0T2DA-60320	Pump Intake Screen Bracket	1
36	0T2DA-65304	Pump Intake Screen	1
37	T2D-50301-7A-2	Flow Control Blade	1
38	T2D-50301-7A-4	Flow Control Shaft	1
39	E016-M6-01	Butterfly Nut	1
40	E009-M5X16-01	Hex Bolt	2
41	E012-M5-01	Flat Washer	2

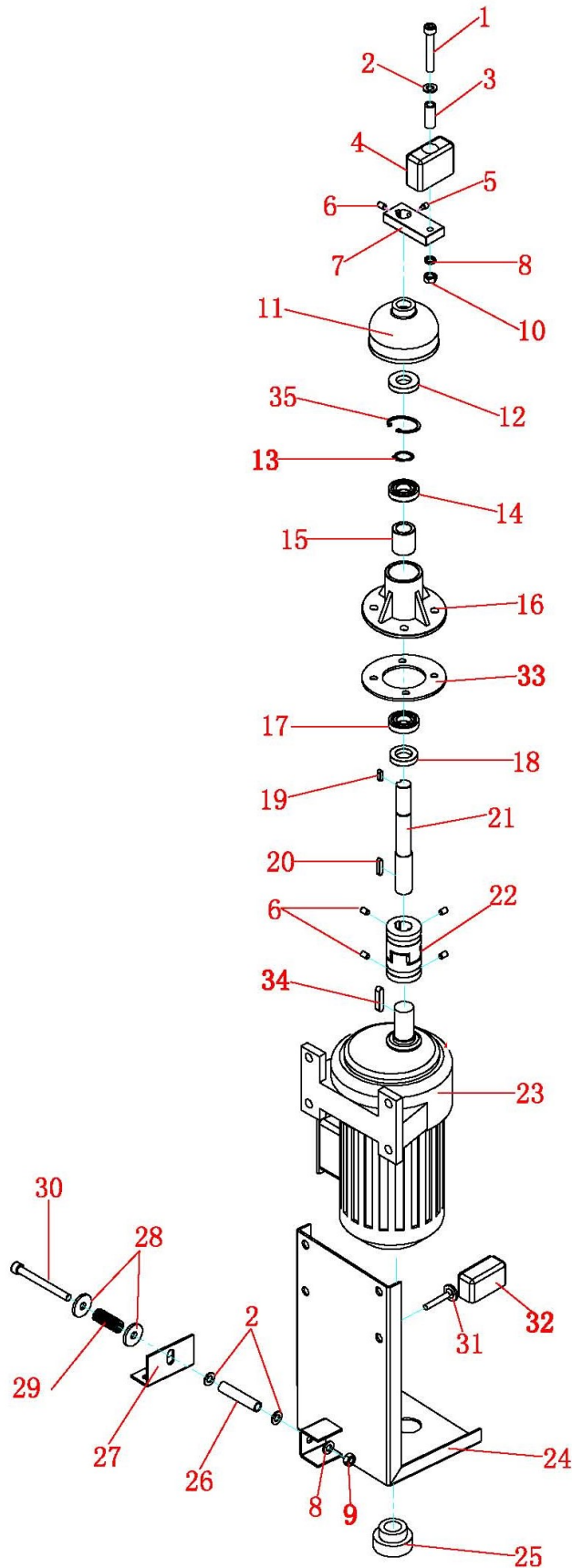
Rinse Arm Assembly



Rinse Arm Assembly

Item No.	Parts Series No.	Parts Name	Qty
1	0T1D-50B-306	Rinse Manifold	1
2	F001-50317-01	Oval Gasket	2
3	0T2D-50327	Manifold Clip	2
4	0T2D-50313	Upper Rinse Arm (w/o nozzle & end-cap)	1
5	A012-50311/6-03	Rinse Nozzle	11
6	A012-50335-01	Rinse Arm End-cap	2
7	0T2D-50315	Lower Rinse Arm (w/o nozzle & end-cap)	1
8	0T2D-50331	Upper Rinse Arm Bracket	1
9	0T1D-50332A	Upper Rinse Arm Holder	1
10	0T1D-50B-331	Lower Rinse Arm Bracket	1
11	0T2D-50B-307(L-R)	Rinse Arm T-joint with Rinse Aim Injection Point	1
12L	D004-3/4X680X5-01	3/4" S.S. Joint	1
13	D026-1/8-01	Copper plug	1
14L	D024-3/4X300-01	Corrugated pipe	1

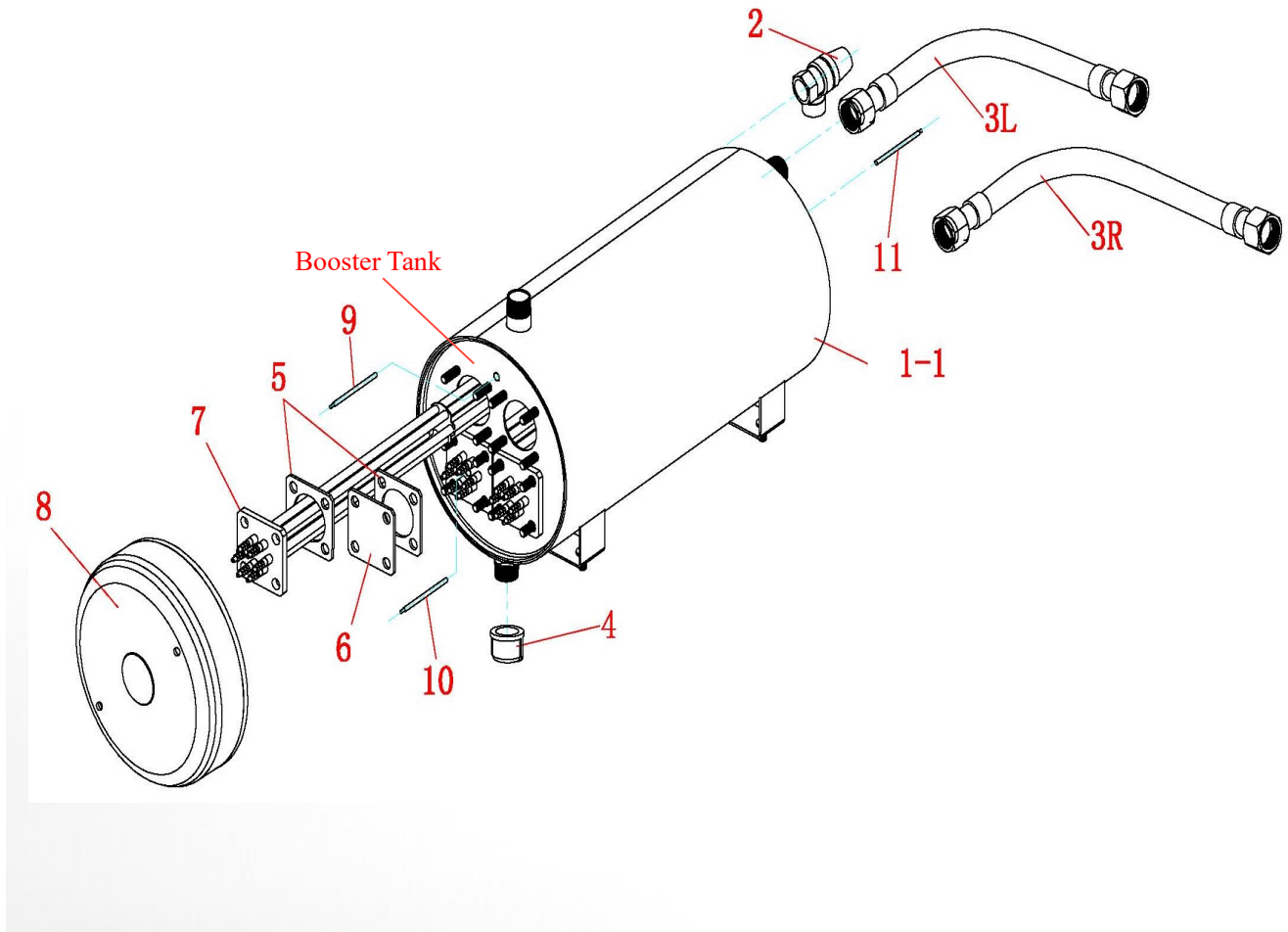
Conveyor Motor Assembly



Conveyor Motor Assembly

Item No.	Parts Series No.	Parts Name	Qty
(1-22)	0T1D-CDZZ-PJ	Drive Shaft	1
1	E010-M8X55-01	Hex Bolt	1
2	E012-M8-01	Flat Washer	4
3	A012-60306-01	Bush	1
4	F019-60304-01	Guide Block	1
5	E010-M6X10-01	Tight Set Screws	1
6	E004-M6X10-01	Tight Set Screws	5
7	A012-60305-01	S.S. Holding Block	1
8	E011-M8-01	Spring Washer	2
9	E015-M8-01	Bolt	1
10	E013-M8-01	Hexagonal Nut	2
11	F008-60307-01	Canopy	1
12	F009-17/35-01	Connector	1
13	E019-M16-01	O Ring	1
14	A010-6003DU-01	Bearing	1
15	F014-60303-01	Spacer Bush	1
16	A012-60301	Permanent Seat	1
17	A010-6003DU-01	Bearing	1
18	F009-19/32-01	Oil Seal	1
19	E020-5X5X20-01	Gauge	1
20	E020-5X5X25-01	Gauge	2
21	A012-60302-01	Transmission Shaft	1
22	A012-60308-01	coupling	1
23	G004-0.2X57S-01	Motor	1
24	0T2D-60310	Motor Bracket	1
25	F025-60315-01	Motor Stand	1
26	A012-60313-01	Spacer	1
27	0T2D-60311	Support	1
28	E012-M22XD8-01	Washer	2
29	A002-60312-01	Compressed Spring	1
30	E009-M8X120-02	Hex Bolt	1
31	0T2D-60314	Spacer	1
32	G034-N2110P20C-01	Limit Switch	1
33	F001-60309-01	Gasket	1
34	E020-7X7X35-01	Gauge	1
35	E019-M35-01	C-clip	1

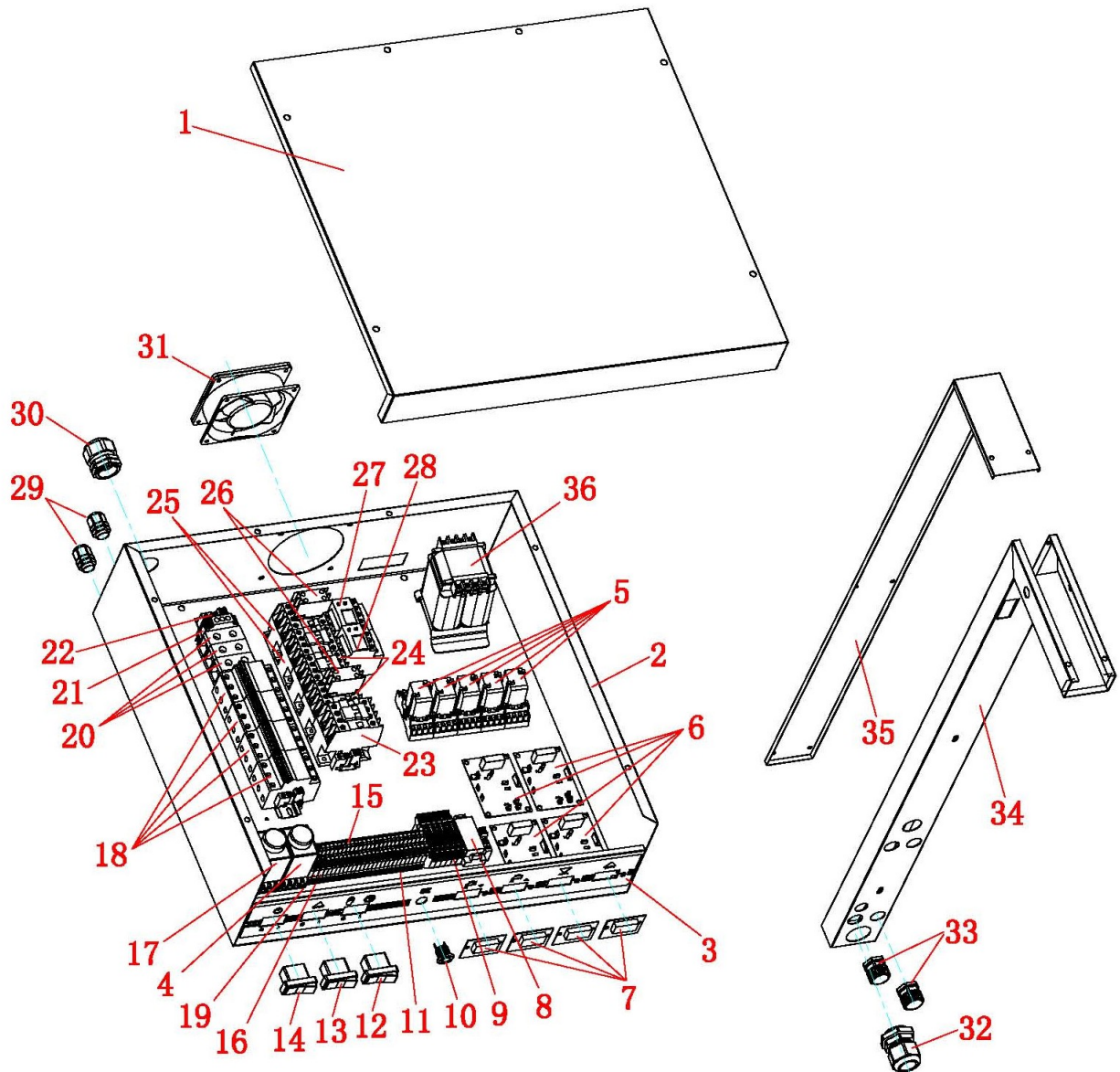
Booster Heater Assembly



Booster Heater Assembly

Item No.	Parts Series No.	Parts Name	Qty
1	0T1D-40A-301	Booster Tank	1
1-1	0T1D-10B-307	Booster Tank External Covers	1
2	D023-3BAR-01	Pressure Relief Valve	1
3L	D024-3/4X200-01	Flexible Pipe (L)	1
3R	D024-3/4X300-01	Flexible Pipe ®	1
4	D025-3/4-1	Drain Cap	1
5	F001-40309-01	Gasket	4
6	0T2D-40305	Cover	1
7	G005-9KW-02	Heating Element (9 kW)	3
8	F006-HF38/D210-01	Booster Heating Element Cover	1
9	G021-86C-01	Thermostat 86°C	1
10	G021-110C-01	Thermostat 110°C	1
11	G065-WZJ/4010/2-01	Temperature Probe	1

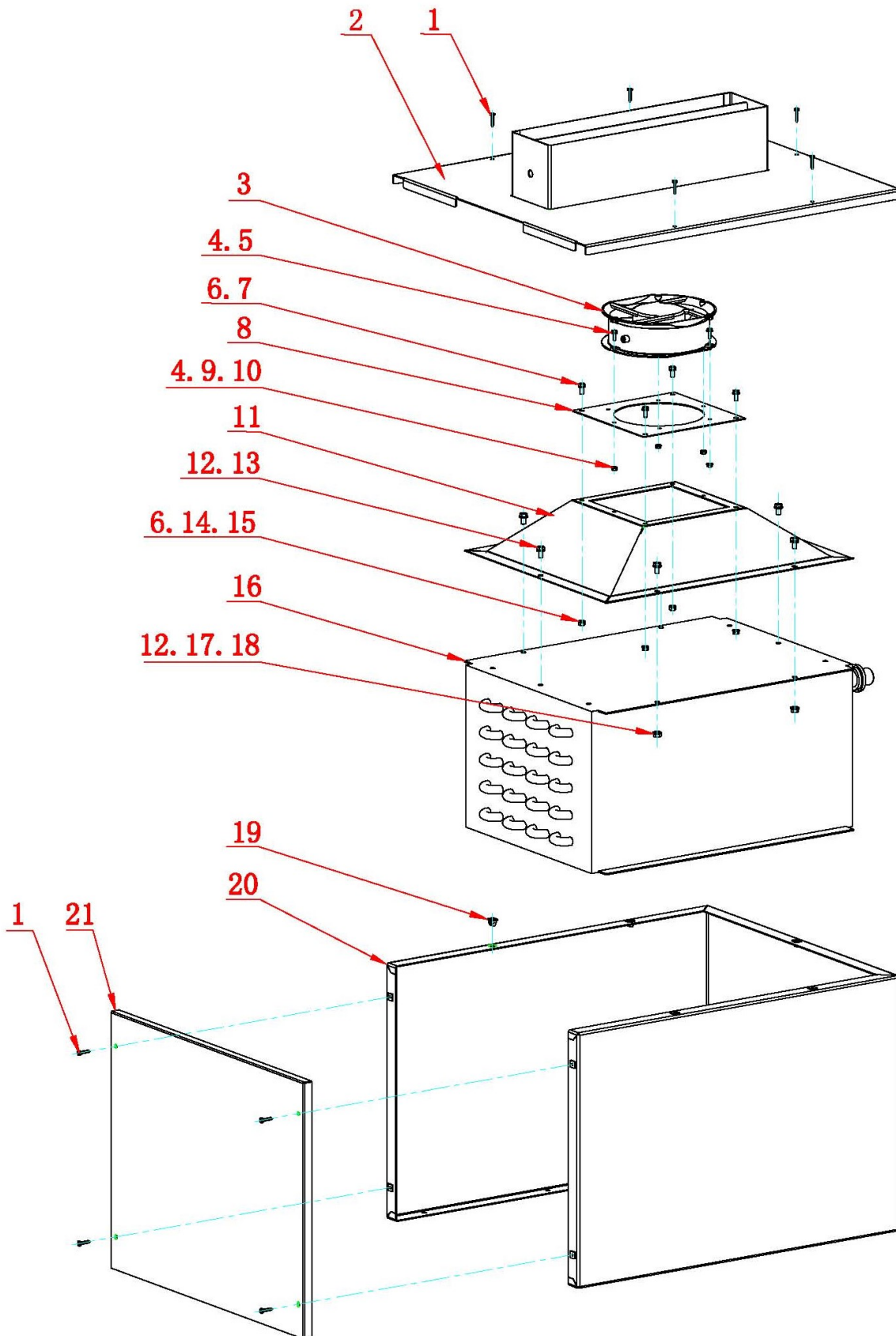
Control Panel



Control Panel

Item No.	Parts Series No.	Parts Name	Qty
1	OT1S-70302	Control Panel Cover	1
2	OT1S-70301-L	Electrical Components Board (for machine L-R)	1
	OT1S-70301-R	Electrical Components Board (for machine R-L)	1
3	G031-Champion-01	Operation panel	1
4	G011-60S/AC110V-01	Timer 60 sec)	1
5	G028-RXZE1M4C-01	base	5
	G012-RXZ410-01	Time Hook	10
6	G012-P7-02	Relay	5
	G014-4010-02	Control Circuit Board	4
7	G014-WZJ/4010/3-01	Temperature Display	4
8	G024-220V/5V-03	Inverter 220v -> 5 v	1
9	G041-4RD-01	Fuse Block with Fuse	6
10	G035-E/5V-02	Wash Tank Water Level Indicator (green)	1
11	G041-4-01	Wiring Terminal (grey color)	27
12	G034-CD-04	Auto / Manual Selection Switch	1
13	G034-CD-01	Machine Start Switch	1
14	G034-CD-03	Machine Power On/Off Switch	1
15	G032-G/DUK-01	Separation Plate	3
16	G041-6-02	Wiring Terminal (blue)	1
17	G011-6M/AC110V-01	Timer (6 min)	1
18	G009-D40A-04	Circuit Breaker (40 A)	4
19	G041-6JD-01	Wiring Terminal	2
20	G041-100N-01	Wiring Terminal	3
21	G041-35JD-01	Wiring Terminal	1
22	G041-35N-02	Wiring Terminal	1
23	G008-E3201M5N-01	Contactor (for 2 x 9 kW heating element)	1
24	G008-E2501M5N-01	Contactor (1 for booster heating element & 1 for wash tank heating element)	2
25	G008-E0610M5N-01	Wash / Conveyor motor Contactor	2
26	G027-LAEN11N-01	Auxiliary contact module	2
27	G010-05N-02	Conveyor motor Over-Load Control	1
28	G010-08N-02	Wash motor Over-Load Control	1
29	G029-PG9-01	9mm Conduit	2
30	G029-PG29/2-01	29mm Conduit	1
31	G025-BALL-01	Exhaust Fan	1
32	G030-PG29-01	29 mm Conduit	1
33	G030-PG16-01	16 mm Conduit	2
34	0T1D-85B-301	Cable Trunk	1
35	0T1D-85B-302	Cable Trunk Cover	1
36	G016-250V-01	Transformer	1

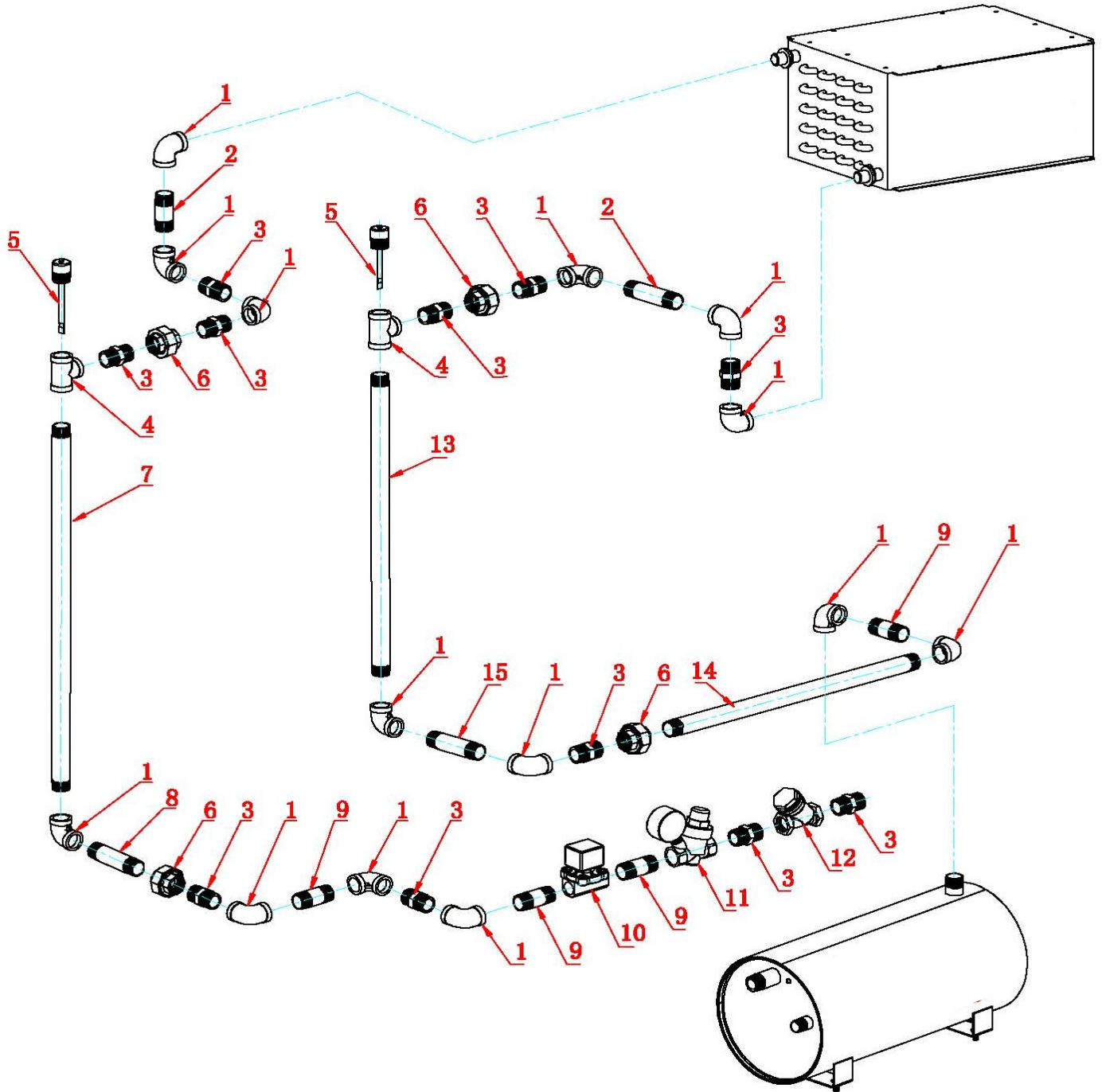
Heat Recovery Assembly



Heat Recovery Assembly

Item No.	Parts Series No.	Parts Name	Qty
1	E003 ST3.9x19 01	Philip Screw	9
2	GY_XW_T1S_21411 03	Cover with Exhaust Hood	1
3	G025-BALL-03	Exhaust Fan	1
4	E012-M4-01	Flat Washer	4
5	E009-M4X12-01	Bolt	4
6	E012-M5-01	Flat Washer	4
7	E009-M5X12-01	Bolt	4
8	XW-T1S-21427	Connecting plate	1
9	E011-M4-01	Spring Washer	4
10	E013-M4-01	Nut	4
11	XW-T1S-21422	Fan Holder	1
12	E012-M6-01	Flat Washer	14
13	E009-M6X16-01	Nut	14
14	E011-M5-01	Spring Washer	4
15	E013-M5-01	Nut	4
16	XW-T1S-21402B	Heat Exchanger	1
17	E011-M6-01	Spring Washer	14
18	E013-M6-01	Nut	14
19	F047-3S-0382-01	Screw Button	9
20	XW T1S 21411 01	Panel	1
21	XW T1S 21412	Front Cover	1

Heat Recovery / Booster Heater Piping Assembly



Heat Recovery / Booster Heater Pipping Assembly

Item No.	Parts Series No.	Parts Name	Qty
1	D009--3/4-01	S.S. Elbow 3/4"	13
2	D004-3/4X75-01	Nipple (L 75 mm x 3/4")	2
3	D004-3/4-01	Hexagon Nipple (3/4")	11
4	D006-3/4-01	S.S. Tee (3/4")	2
5	G065-WZJ/4010/2-01	Thermo Sensor	2
6	D014-3/4-01	Coupling Joint (3/4")	4
7	D004-3/4X1225-01	Nipple (L 1225 mm x 3/4")	1
8	D004-3/4X100-01	Nipple (L 100 mm x 3/4")	1
	D004-3/4X700-01	Nipple (L 700 mm x 3/4")	1
9	D004-3/4X60-01	Nipple (L 60 mm x 3/4")	4
10	G017-ADK11-20A-B2E-AC220V*3/4-02	Solenoid Valve (220V/50Hz, 3/4")	1
11	D017-3/4-01	Pressure Regulator (3/4")	1
12	D016-3/4-01	Y-type Filter (3/4")	1
13	D004-3/4X980-01	Nipple (L 980 mm x 3/4")	1
14	D004-3/4X500-01	Nipple (L 500 mm x 3/4")	1
15	D004-3/4X75-01	Nipple (L 75 mm x 3/4")	1
	D004-3/4X675-01	Nipple (L 675 mm x 3/4")	1