

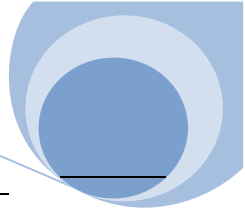
**Global-Tek Machinery Pte Ltd**

---

**Model : GT-CR 2**

**Double Tank Conveyor**

**Parts Manual**



**Contents**

Wash chamber.....3-4

Tanks.....5-7

1<sup>st</sup> Tank Wash Arms & Pump / Motor Assembly.....8-9

2<sup>nd</sup> Tank Wash Arms & Pump / Motor Assembly.....10-11

Rinse Arms Assembly.....12

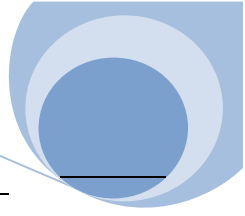
Booster Heater Assembly.....13-14

Fill & Rinse Piping.....15

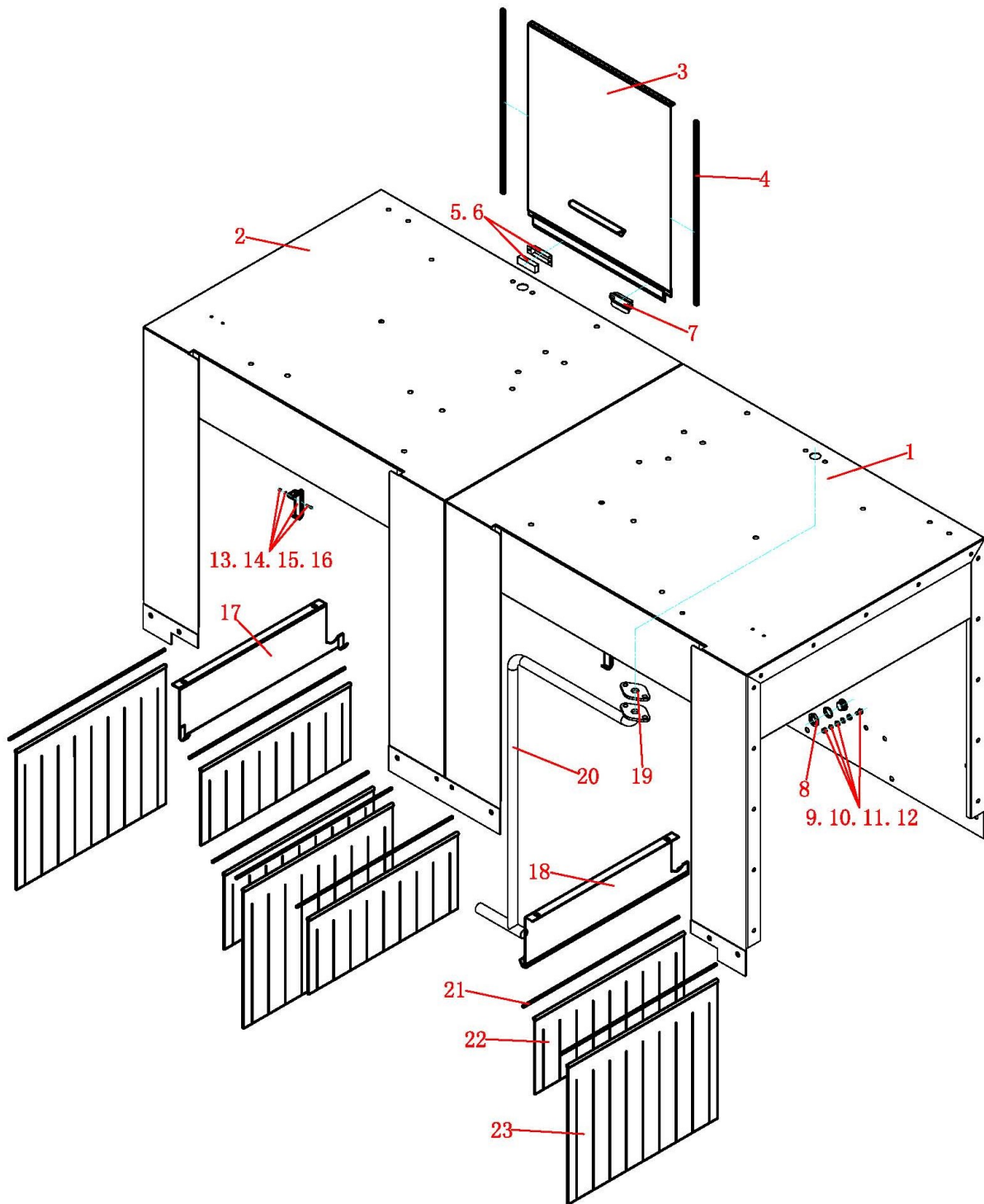
Conveyor Dogs.....16

Conveyor Rail (Complete).....17

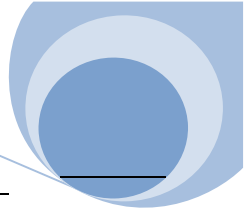
Conveyor Motor Assembly.....18-19



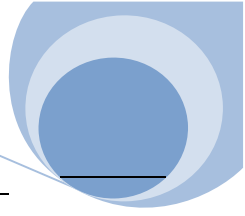
## Wash Chamber



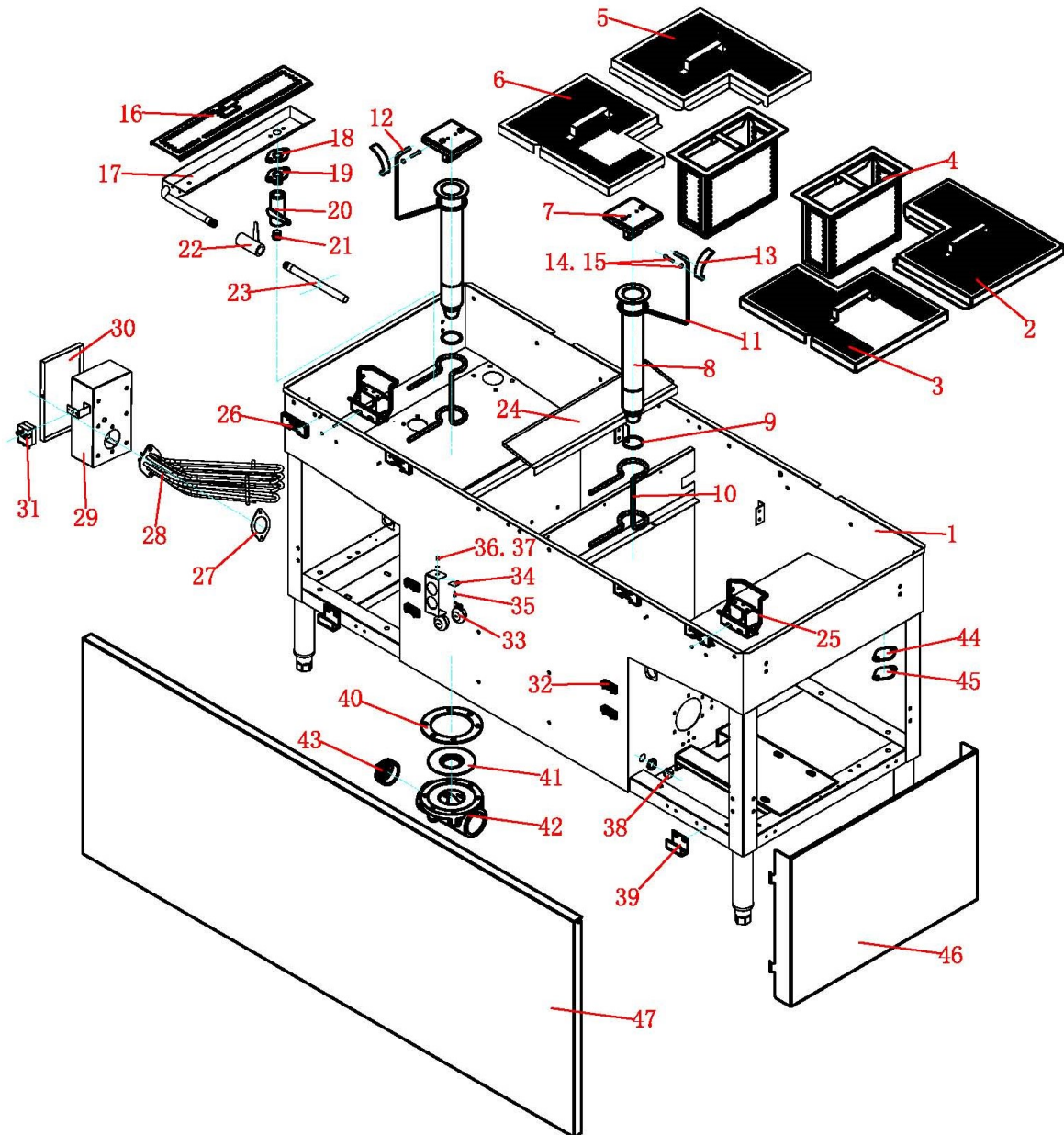
# Global-Tek Machinery Pte Ltd



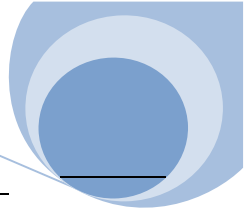
Wash Chamber				
Item No.	Parts Series No.	Parts No.	Parts Name	Qty
1	T12D-20A-301	12040301	Upper Hood	1
2	T12D-20A-302	12040302	Upper Hood	1
3	T2D-65331	12030302	Sliding Door	2
4	JD-65326(598)	11010701	Draw Slip	4
5	T2D-65318-8	12030303	Magnet Housing	2
6	10x17x51 CT	13001231	Magnet	2
7	T12D-65333	12040303	Stents	1
8	P-LB-M22	11010601	Hole Plug	2
9	GB6170 M10	13000256	Hexagonal Nut	2
10	GB93 M10	13000186	Spring Washer	2
11	GB97 M10	13000166	Flat Washer	4
12	GB5781 M10x20	13000111	Hex Bolt	2
13	T2D-65330	12030304	Pothook	2
14	GB5783 M5x30	13000137	Hexagon Socket Screw	2
15	GB97 M5	13000163	Flat Washer	2
16	GB/T.889.1 M5	13000282	Jam Nut	2
17	T12D-65322L	12040304	Splash Restrictor	1
18	T12D-65322R	12040305	Splash Restrictor	1
19	T2D-50317( $\phi$ 21)	11030301	Gasket	1
20	T12D-50309-1	10040301	Filling Water Pipe	1
21	$\phi$ 6x625	10030302	Dead Lever	7
22	580x250	11030303	Curtain	4
23	580x460	11030302	Curtain	3



## Tanks



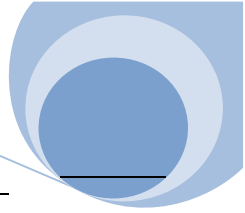
# Global-Tek Machinery Pte Ltd



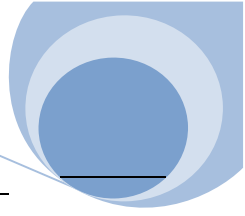
<b>Tanks</b>				
<b>Item No.</b>	<b>Parts Series No.</b>	<b>Parts No.</b>	<b>Parts Name</b>	<b>Qty</b>
1	T12D-10000	12040601	Base	1
	T12Z-10000	12040602		
2	T2D-65303	12030603	Mesh Enclosure	1
3	T2D-65302	12030604	Mesh Enclosure	1
4	T2D-65301	12030605	Rubbish Basket	2
5	T12D-65303L	12040603	Mesh Enclosure	1
6	T12D-65302R	12040604	Mesh Enclosure	1
7	T1D-65343	12020602	Housing	2
8	T2D-65307	10030601	Drain pipe	2
9	φ34.5xφ5.3	11030601	O Ring	2
10	T2D-65310	10030602	Side Rail	2
11	T12D-65311-2(R-L)	10040601	Lift Link	1
12	T12D-65311-2(L-R)	10040602	Lift Link	1
13	T2D-65311-1	12030606	Platform Trap Door	2
14	GB5783 M6x30	13000141	hexagon socket screw	2
15	GB97 M6	13000164	Flat Washer	2
16	T12D-65342	12040605	Mesh Enclosure	1
17	T12D-65341(L-R)	12040606	Bypass Channel	1
	T12D-65341(R-L)	12040607		
18	T2D-50317(φ21)	11030301	Gasket	1
19	T1D-50346	10020601	Freeing Port	1
20	1/2 QF(T)	13001022	Drain Valve	1
21	1/2 WSDT	13001149	Stuffy Cover	1
22	1/2 QF(T)	13001022	Drain Valve	1
23	1/2x610 DTS	13001283	Single Head Silk	1
24	T12D-65346	12040608	Splash Restrictor	1
	T12D-65346A	12040609		
25	T2D-65318A	10030604	Directional Stop	2
26	WZJ1019	14000191	Door Contact	4
27	T2D-65313	11030602	Gasket	2
28	T2D-380V-7.5KWx390	14000502	Heating Element	1
29	T2D-65314	12030607	Junction Box	1
30	T2D-65315	12030608	Cover Junction Box	1
31	82°C	14000022	Temp.Control	1
32	JD-65998	11010703	Door Contact	4
33	8-A	11030603	Floating Ball	4
34	CD-YQ23-318	12060626	Float Card	4
35	GBT818 M6x10	13000041	Thermostat Screw	4

## Global-Tek Machinery Pte Ltd

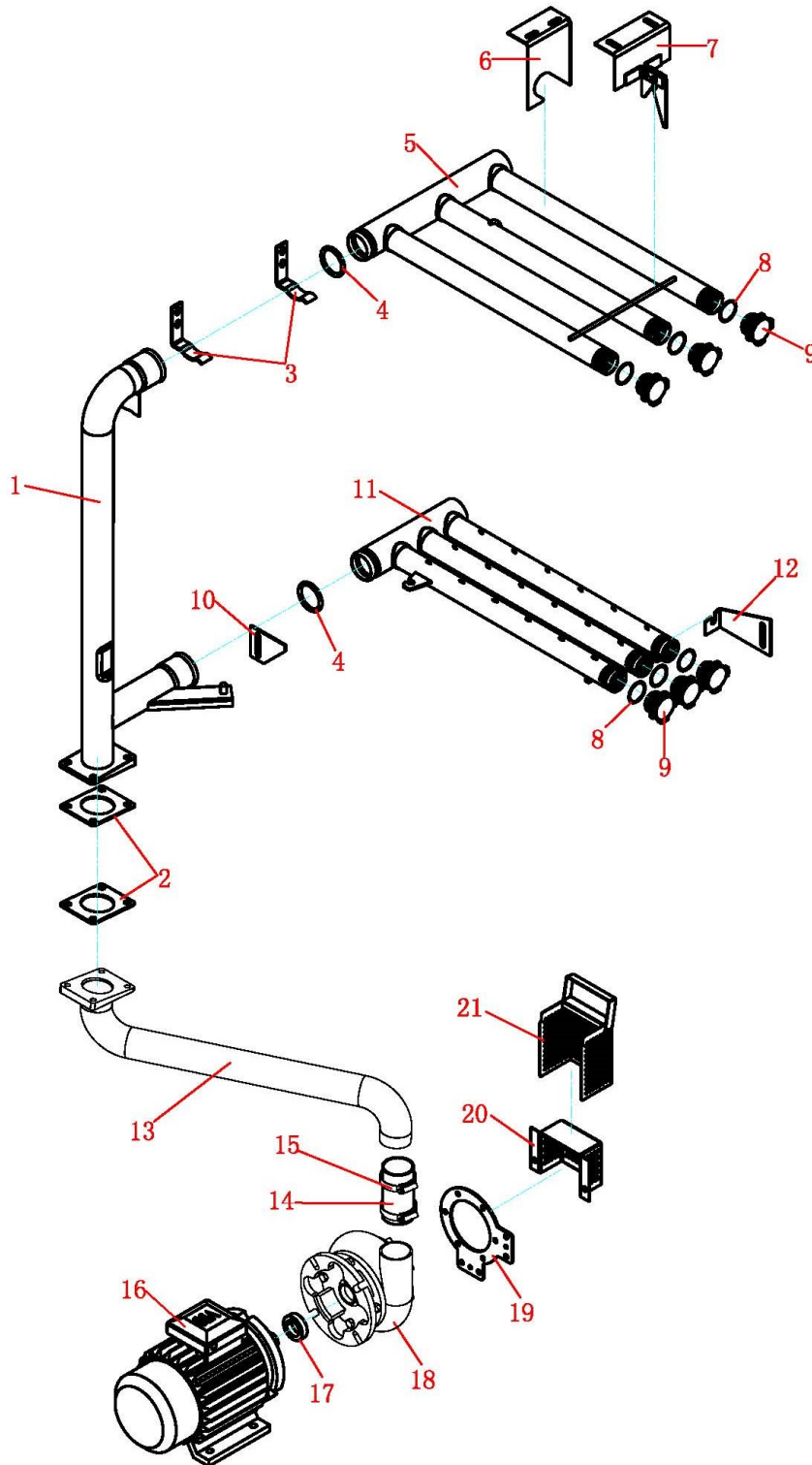
---



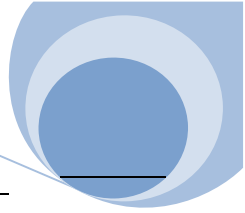
36	GB97 M6	13000164	Flat Washer	4
37	GB/T.889.1 M6	13000283	Jam Nut	4
38	P-LB-M22	11010601	Hole Plug	2
39	T2D-65328	12030609	Panel Bracket	2
40	T2D-65309	11030604	Gasket	2
41	T2D-65308-2	12030610	Washer	2
42	T2D-65308-1	10030605	Drain pipe	2
43	M50-DT	13001051	Choke Plug	1
44	T2D-50317 (φ21)	11030301	Gasket	1
45	T2D-65323	12030621	Shrouding	1
46	T2D-65335	12030611	Side Panel	2
47	T12D-65334	12040610	Are Panel	1



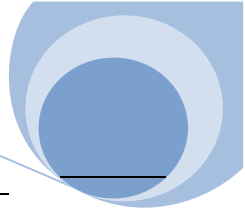
**1<sup>st</sup> Tank Wash Arm & Pump / Motor Assembly**



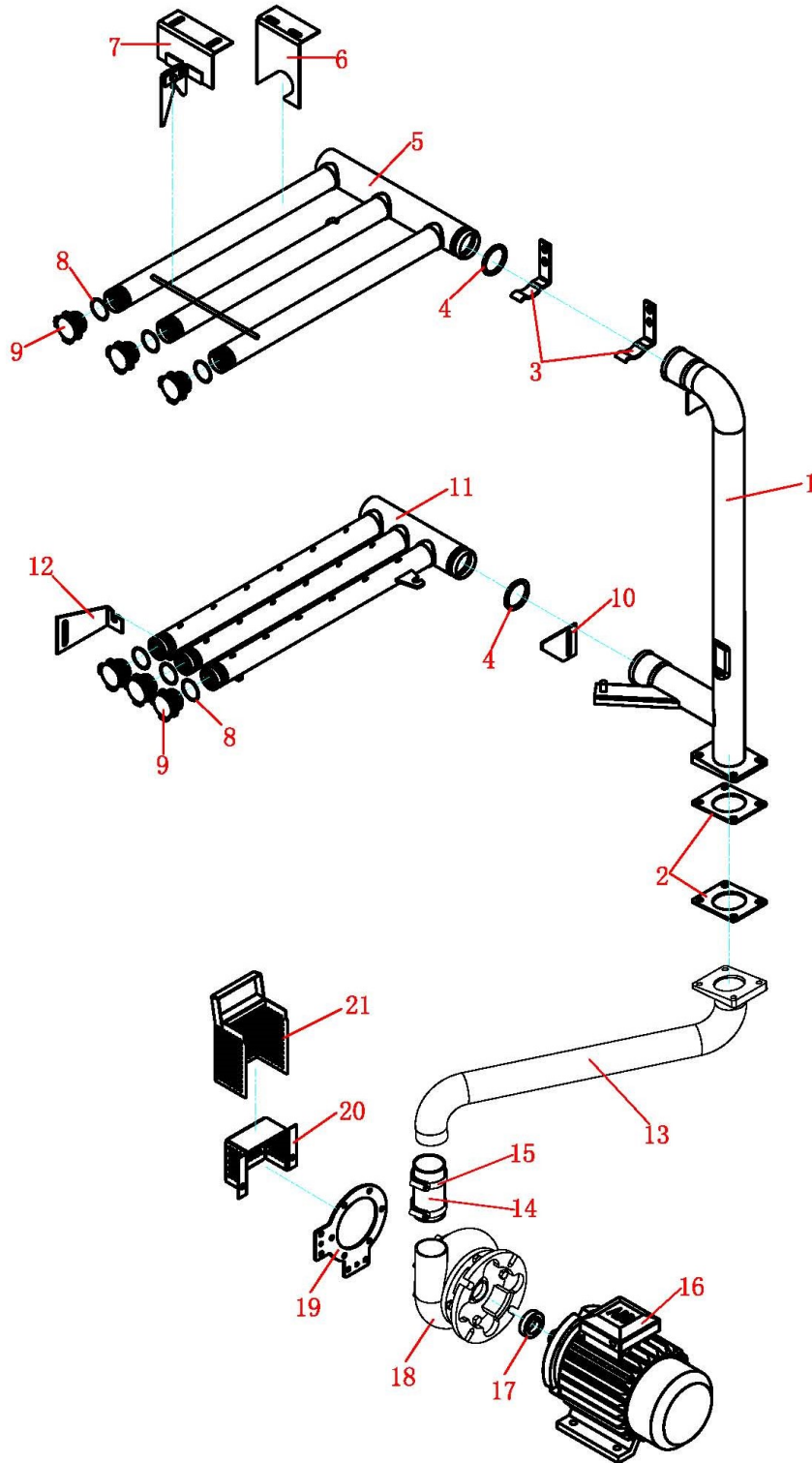




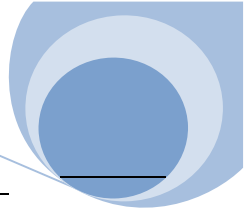
<b>1<sup>st</sup> Tank Wash Arm &amp; Pump / Motor Assembly</b>				
<b>Item No.</b>	<b>Parts Series No.</b>	<b>Parts No.</b>	<b>Parts Name</b>	<b>Qty</b>
1	T12D-50301L	10040101	Stand Pipe	1
2	T2D-50305	11030101	Gasket	2
3	T2D-50322	12030101	Bracket	1
4	φ40xφ5.3	11030102	O Ring	2
5	T12D-50303L	10040102	Wash Piping Assy	1
6	T12D-50323L-1	12040101	Hitch Frame	1
7	T2D-50324	12030103	Bracket	1
8	φ28xφ2.65	11030103	O Ring	6
9	T2D-50339	11030104	Thread Cap	6
10	T2D-50325	12030104	Layer Board	1
11	T12D-50302L	10040103	Purge Pipe	1
12	T12D-50326AL	12040102	Layer Board	1
13	T12D-50304L	10040104	Exhalent Siphon	1
14	φ50x90	11030105	Rubber Hose	1
15	XG-44-70	13001204	Hose Clamp	2
16	M2QA90S-220V -50HZ-1.5KW	14000615	ABB Motor	1
17	T2D-60317	13001071	Coupling	1
18	T2D-60316	10030105	Scavenging Pump	1
19	T2D-60319	11030106	Gasket	1
20	T12D-60320	12040103	Nets Cover Socket	1
21	T12D-60304	12040104	Mesh Enclosure	1



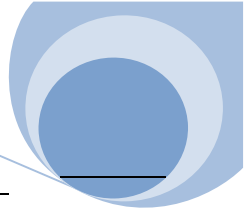
**2nd Tank Wash Arm & Pump / Motor Assembly**



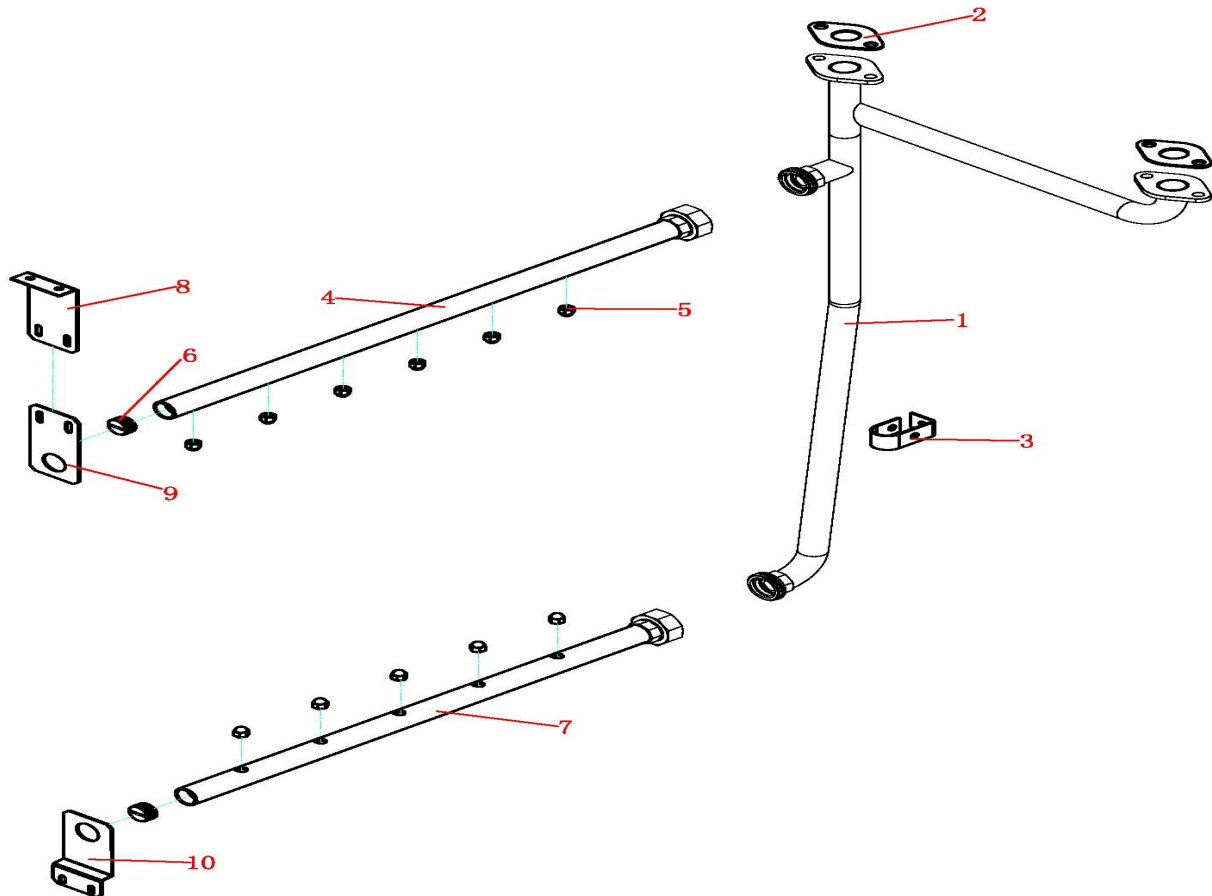
# Global-Tek Machinery Pte Ltd



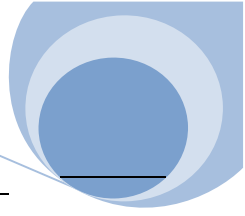
<b>2nd Tank Wash Arm &amp; Pump / Motor Assembly</b>				
<b>Item No.</b>	<b>Parts Series No.</b>	<b>Parts No.</b>	<b>Parts Name</b>	<b>Qty</b>
1	T12D-50301R	10040105	Stand Pipe	1
2	T2D-50305	11030101	Gasket	2
3	T2D-50322	12030101	Bracket	1
4	φ40xφ5.3	11030102	O Ring	2
5	T12D-50303R	10040106	Wash Piping Assy	1
6	T2D-50323	12030102	Hitch Frame	1
7	T2D-50324	12030103	Bracket	1
8	φ28xφ2.65	11030103	O Ring	6
9	T2D-50339	11030104	Thread Cap	6
10	T2D-50325	12030104	Layer Board	1
11	T12D-50302R	10040107	Purge Pipe	1
12	T12D-50326AR	12040105	Layer Board	1
13	T12D-50304R	10040108	Exhalent Siphon	1
14	φ50x90	11030105	Rubber Hose	1
15	XG-44-70	13001204	Hose Clamp	2
16	M2QA90S-220V -50HZ-1.5KW	14000615	ABB Motor	1
17	T2D-60317	13001071	Coupling	1
18	T2D-60316	10030105	Scavenging Pump	1
19	T2D-60319	11030106	Gasket	1
20	T12D-60320	12040103	Nets Cover Socket	1
21	T12D-60304	12040104	Mesh Enclosure	1



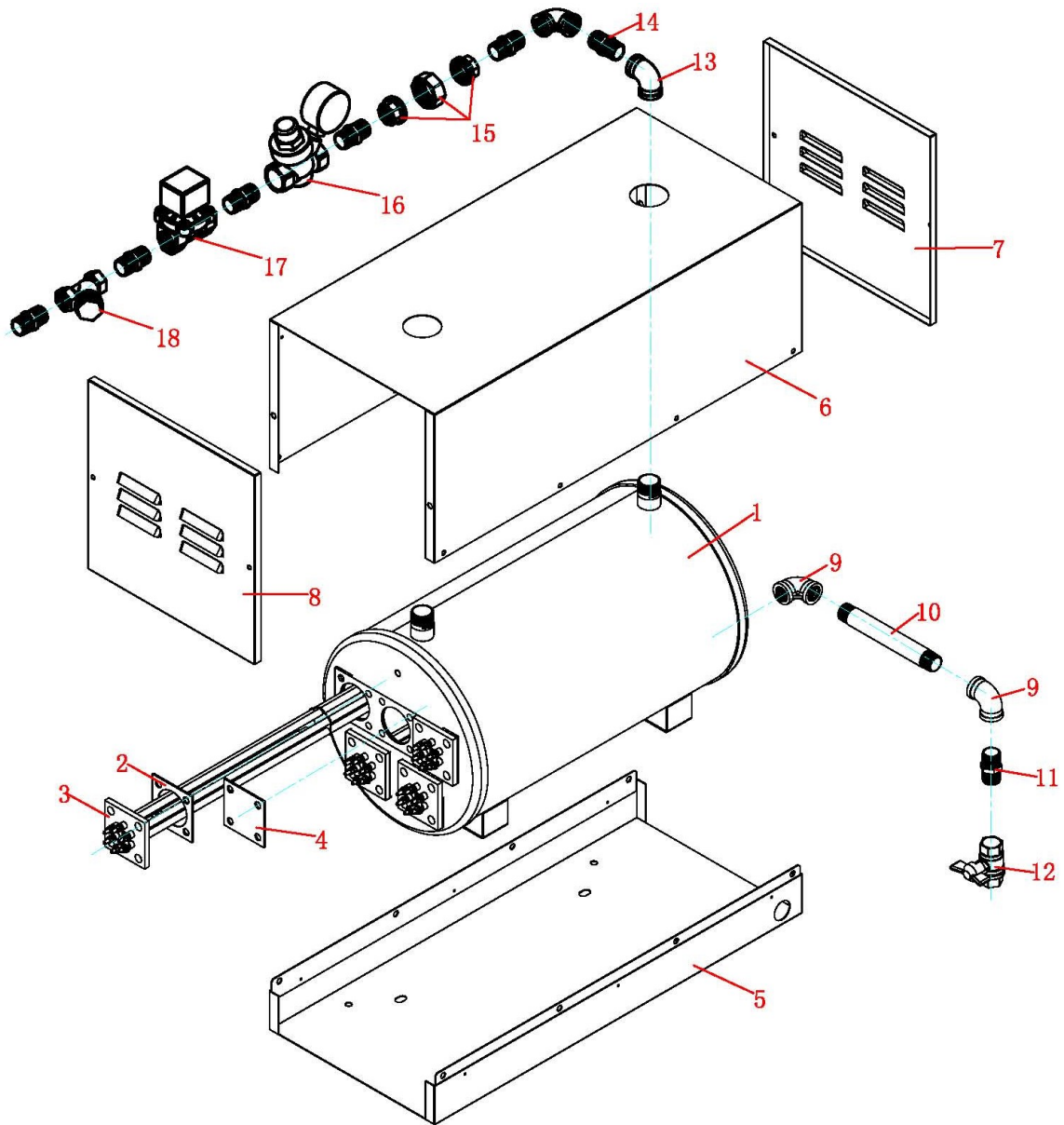
## Rinse Arms Assembly



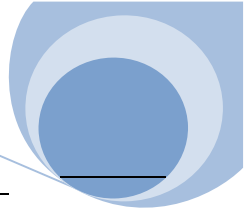
Rinse Arm Assembly					
Item No.	Parts Series No.	Parts No.	Parts Name	Qty	
1	T12D-50317	10040109	Stand Pipe	1	
2	T2D-50317 (φ21)	11030301	Gasket	1	
3	T2D-50327	12030108	Hose Clamp	1	
4	T2D-50313	10030110	Spray Arm	1	
5	JD-50311-6	10010109	Nozzle	11	
6	T2D-50335	10030111	Stifle	2	
7	T2D-50315	10030112	Spray Arm	1	
8	T2D-50331	12030109	Upper Rinse Arm Holder 1	1	
9	T2D-50332	12030110	Upper Rinse Arm Holder 2	1	
10	T12D-50330	12040106	Lower Rinse Arm Holder	1	



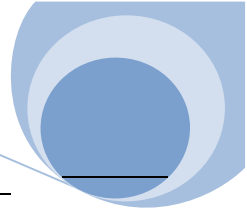
## Booster Heater Assembly



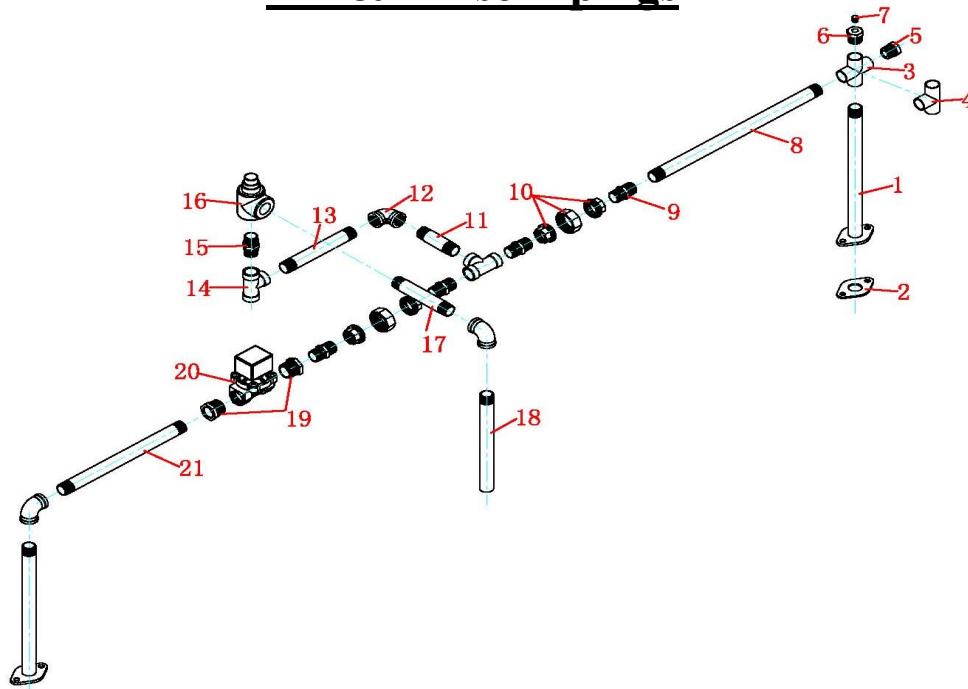
# Global-Tek Machinery Pte Ltd



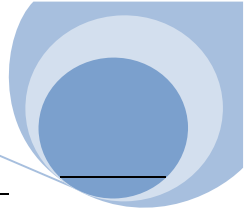
<b>Booster Heater Assembly</b>					
<b>Item No.</b>	<b>Parts Series No.</b>	<b>Parts No.</b>	<b>Parts Name</b>	<b>Qty</b>	
1	T1D-40A-301	12020201	Booster Cylinder	1	
2	T2D-40309	11030201	Gasket	5	
3	T2D-380V-9KWx400	14000501	Heating Element	1	
4	T2D-40305	12030203	Shrouding	1	
5	T1D-40A-302	12020202	Base	1	
6	T1D-40A-303	12020203	Upper Hood	1	
7	T1D-40A-304	12020204	End Cover	2	
8	T1Z-40A-304A	12020205	End Cover	1	
9	1/2 NSWT	13001150	½" S.S. Bend	2	
10	1/2x135 (STS)	13001253	½" S.S. Joint	1	
11	1/2 STS(LJ)	13001153	½" S.S. Joint	1	
12	1/2 DN15-G	13001021	Butterfly Bumper	1	
13	3/4 NSWT	13001158	¾" S.S. Bend	2	
14	3/4 STS(LJ)	13001157	¾" S.S. Joint	6	
15	3/4 HJT	13001159	Coupling Joint	1	
16	1/4 D06E-A/DN20A	13001033	Pressure Gage	1	
17	110V FG-S000	13001030	Solenoid Valve	1	
18	3/4 DN20(T)	13001011	Strainer	1	



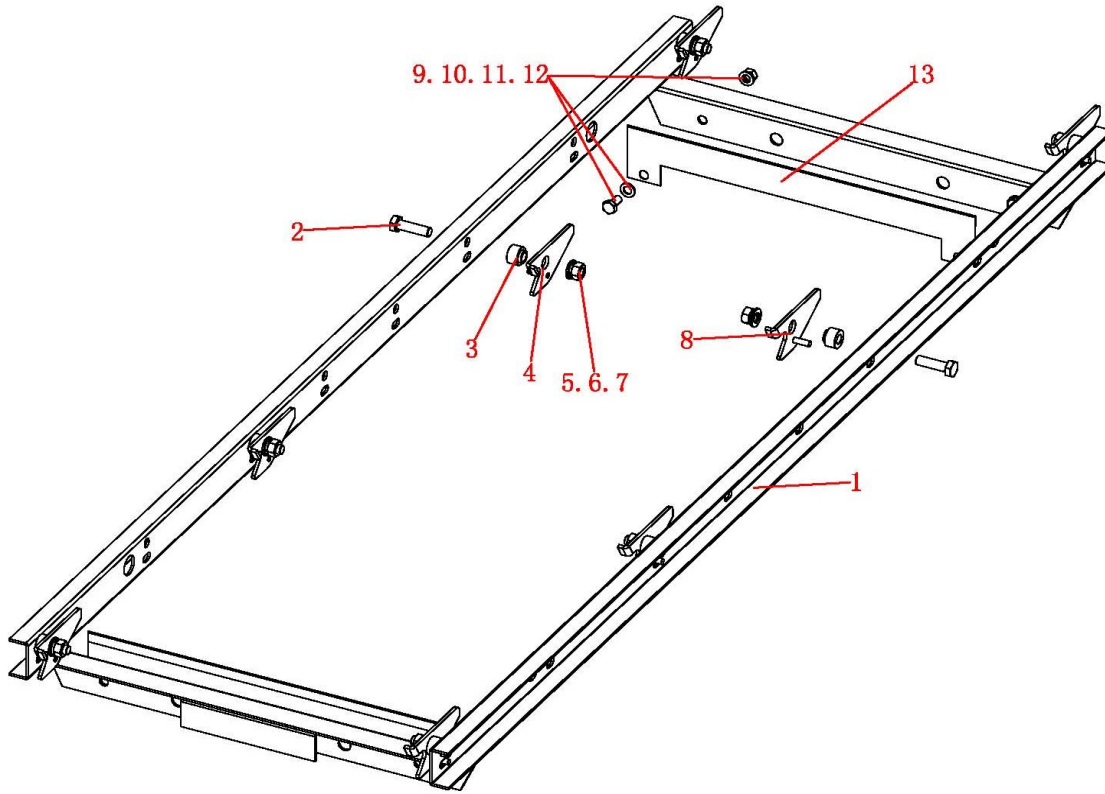
## Fill & Rinse Pipings



<b>Fill &amp; Rinse Pipings</b>				
<b>Item No.</b>	<b>Parts Series No.</b>	<b>Parts No.</b>	<b>Parts Name</b>	<b>Qty</b>
1	T1D-50312	10020901	Drain pipe	2
2	T2D-50317(φ21)	11030301	Gasket	2
3	1/2 NS4T	13001152	½” S.S. Joint	1
4	1/2 NS3T	13001151	½” S.S. Tee Joint	2
5	T2D-50311-1A	10030904	Pipe Cap	1
6	1/8x1/2 BJJT	13001162	Add Liquid Mouth Joint	1
7	1/8 DT(T)	13001145	Choke Plug	1
8			½” S.S. Joint	1
9	1/2 STS(LJ)	13001153	½” S.S. Joint	4
10	1/2 HJT	13001154	Coupling Joint	2
11	1/2x70 STS	13001251	½” S.S. Joint	1
12	1/2 NSWT	13001150	½” S.S. Bend	2
13	1/2x160 STS	13001255	½” S.S. Joint	1
14	3/4x1/2 BJ3T	13001165	¾x½” S.S. Joint	2
15	3/4x1/2 BJWS	13001164	½” S.S. Joint	1
16	SV311-3BAR	13001027	Relief Valve	1
17	1/2x135 STS	13001253	½” S.S. Joint	1
18	1/2x387 STS	13001257	¾x½” S.S. Joint	1
19	3/4x1/2 BJJT	13001166	¾x½” Reducer Union	2
20	110V FG-S000	13001030	Solenoid Valve	1
21			½” S.S. Joint	1

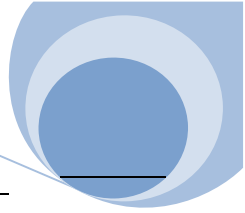


## Conveyor Dogs

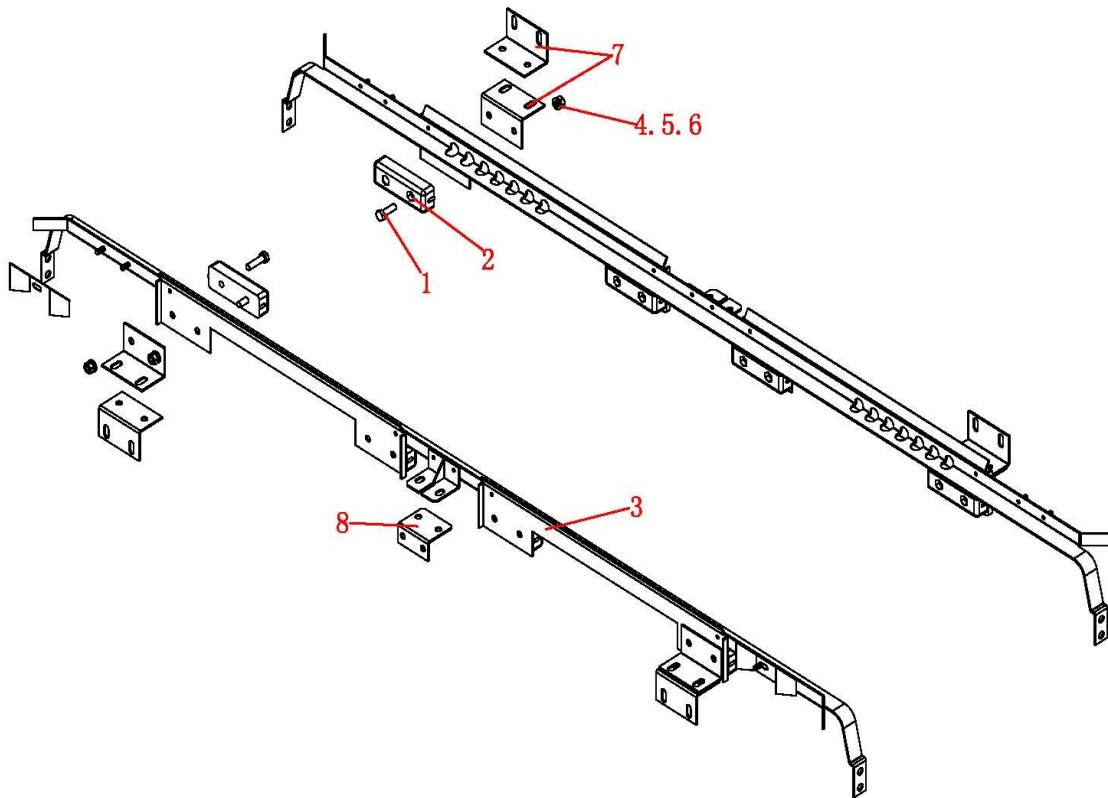


<b>Conveyor Dogs</b>					
<b>Item No.</b>	<b>Parts Series No.</b>	<b>Parts No.</b>	<b>Parts Name</b>	<b>Qty</b>	
1	T12D-30303	12041101	Rack Truck	1	
2	GB5781 M10x30	13000113	Hex Bolt	6	
3	T2D-30310	10031102	Positioning Bushing	6	
4	T2D-30305	12031106	Promote Feet	3	
5	GB97 M10	13000166	Flat Washer	6	
6	GB93 M10	13000186	Spring Washer	6	
7	GB6170 M10	13000256	Hexagonal Nut	6	
8	T2D-30306	12031107	Promote Feet	3	
9	GB97 M8	13000165	Flat Washer	8	
10	GB93 M8	13000185	Spring Washer	4	
11	GB6170 M8	13000255	Hexagonal Nut	4	
12	GB5781 M8x16	13000104	Hex Bolt	4	
13	T2D-30309	12031104	Dummy Plate	1	

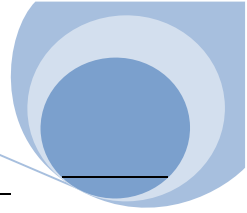




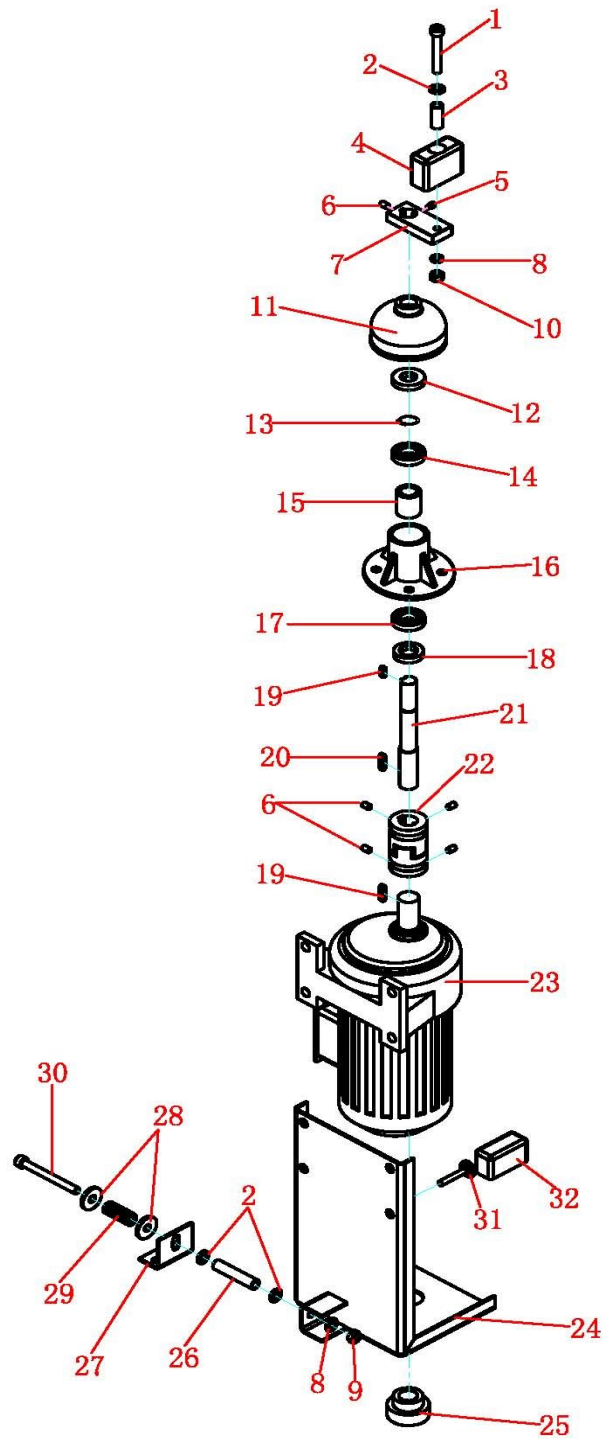
## Conveyor Rail (Complete)



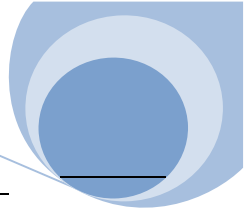
<b>Conveyor Rail (Complete)</b>					
<b>Item No.</b>	<b>Parts Series No.</b>	<b>Parts No.</b>	<b>Parts Name</b>	<b>Qty</b>	
1	GB5781 M8x25	13000106	Hex Bolt	16	
2	T2D-30311	11031001	Slider	8	
3	T12D-30301	12041001	Basket Guide	2	
4	GB97 M8	13000165	Flat Washer	16	
5	GB93 M8	13000185	Spring Washer	16	
6	GB6170 M8	13000255	Hexagonal Nut	16	
7	T12D-30301-7	12041002	Support	8	
8	T12D-65343	12041003	Support	2	



## Conveyor Motor Assembly



# Global-Tek Machinery Pte Ltd



<b>Conveyor Motor Assembly</b>				
<b>Item No.</b>	<b>Parts Series No.</b>	<b>Parts No.</b>	<b>Parts Name</b>	<b>Qty</b>
1	GB5783 M8x55	13000143	Hex Bolt	1
2	GB97 M8	13000165	Flat Washer	4
3	T2D-60306	10031201	Bush	1
4	T2D-60304	11031201	Guide Block	1
5	GB5783 M6x10	13000138	Tight Set Screws	1
6	GB/T78 M6x10	13000222	Tight Set Screws	5
7	T12D-60305	10041201	Shoulder Pole	1
8	GB93 M8	13000185	Spring Washer	2
9	GB/T.899.1 M8	13000284	Jam Nut	1
10	GB6170 M8	13000255	Hexagonal Nut	2
11	T2D-60307	11031202	Manger Plate	1
12	17-35	11031203	Oil Seal	1
13	GB/T894.1x16	13000302	Jump Ring	1
14	DU6003	10031203	Bearing	1
15	T2D-60303	11031204	Spacer Bush	1
16	T2D-60301	10031204	Permanent Seat	1
17	DU6003	10031203	Bearing	1
18	19-32	11031205	Oil Seal	1
19	5x5x14	13000311	<u>Flat Key</u>	1
20	5x5x25	13000312	<u>Flat Key</u>	2
21	T12D-60302	10041202	Transmission Shaft	1
22	T2D-60308	13001071	coupling	1
23	ZI22-0.2-40S3 220/380V-50/60HZ	14000619	Electrical Machine	1
24	T2D-60310	12031201	Motor Base	1
	T2D-60310A	12031202		
25	T2D-60315	11031206	Support	1
26	T2D-60313	10031206	Fixed Set	1
27	T2D-60311	12031203	Support	1
	T2D-60311A	12031204		
28	GB96 M8	13000170	Flat Washer	2
29	T2D-60312	13001081	Compressed Spring	1
30	GB5781 M8x120	13000109	Hex Bolt	1
31	T2D-60314	10031207	Stents	1
32	XCK-N2110P20C	14000182	Limit Switch	1