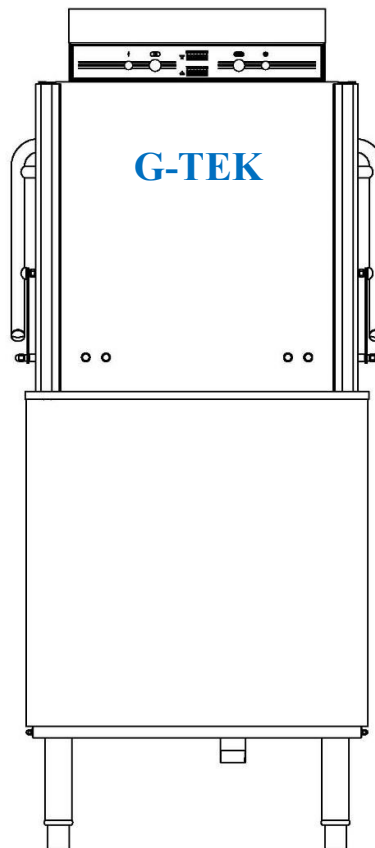


Door Type Dish
Washer Model :
GT-D1M (TC-RB)

Model: GT-D1M (TC-RB)

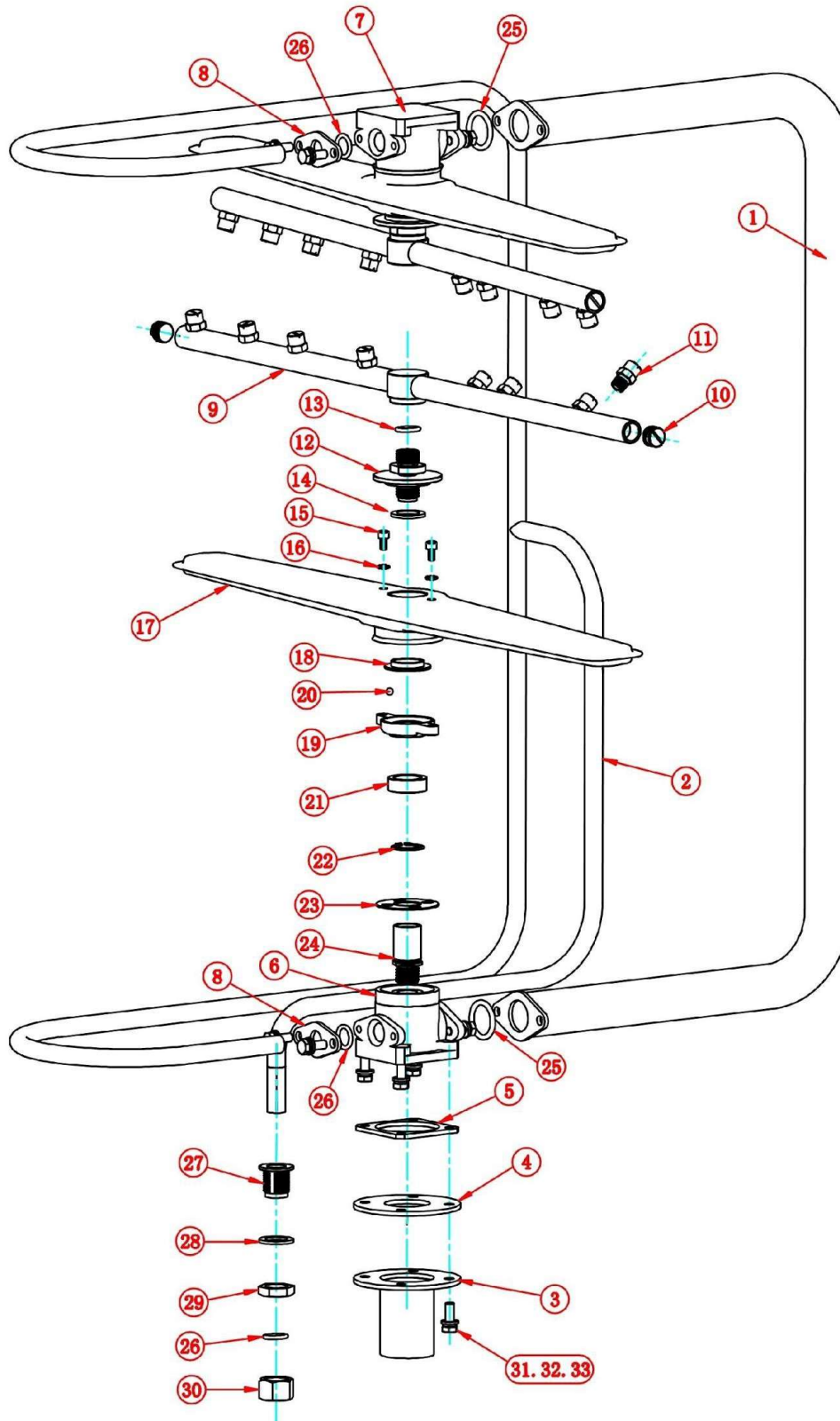
Door Type Dish Washer with Round Booster Parts Manual



CONTENT

➤ Wash & Rinse Arm Assembly.....	3-4
➤ Booster Heater	5-6
➤ Wash Chamber	7-8
➤ Door Lift Assembly.....	9-10
➤ Wash & Rinse Pumps Assembly	11-12
➤ Lower Frame Assembly with Pressure Pump	13-14
➤ Wash Chamber & Lower Frame Assembly.....	15
➤ Wash Tank Assembly.....	16-17
➤ Door Panel Assembly	18-19
➤ Top Mounted Control Panel.....	20
➤ Electrical Control Panel.....	21

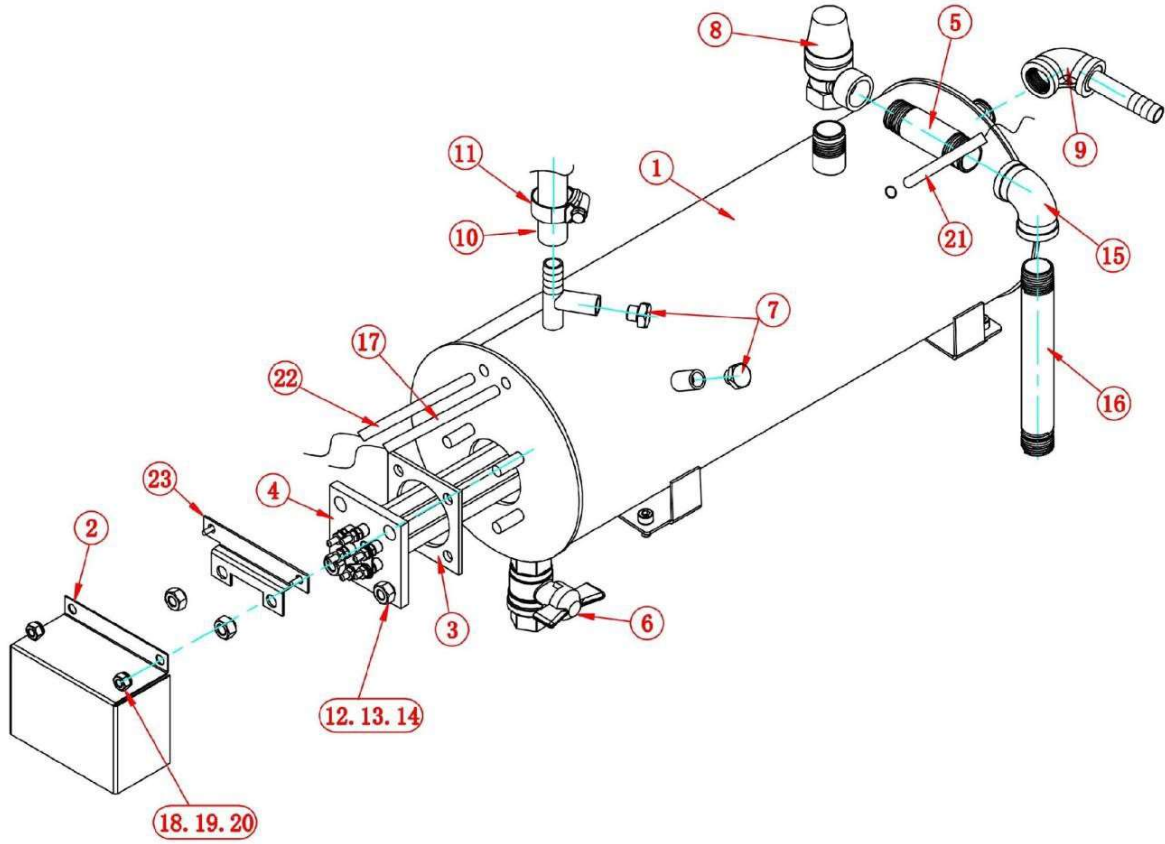
Wash & Rinse Arm Assembly



Wash & Rinse Arm Assembly

<u>Item No.</u>	<u>Parts No.</u>	<u>Parts Name</u>	<u>Quantity</u>
1	0JD-50301	Wash Piping Assy	1
2	0JD-50302	Rinse Piping Assy	1
3	0JD-50306	Adapter Connector	1
4	F001-50319-01	Gasket	1
5	F001-50308B-01	Gasket	1
6	A012-50305/1A-01	Lower Manifold	1
7	A012-50305/2A-01	Upper Manifold	1
8	0JD-50302-3A	Flange	2
(9-14)	0PJ-JD-PLB	Rinse	1
9	0JD-50311	Rinse Arm w/o nozzle & end cap	2
10	A012-50311/5A-01	Rinse Arm End Cap	4
11	A012-50311/6-03	Rinse Arm Nozzle	16
12	0JD-50311-7	Lock Washer	2
13	F002-20x1.8-01	O Ring	2
14	F001-50320-01	Gasket	2
(15-20)	0PJ-JD-PB	Wash Arm Complete Set	1
15	E010-M5x10-01	Blot M5x10	4
16	E012-M5-01	Lock Nut	4
17	0JD-50310	Wash Arm	2
18	A012-50310/2-01	Bearing Retainer	2
19	A012-50310-01	Bearing Body	2
20	A007-D5-01	Ball Bearing (total 17pcs per set)	34
21	F017-50309-01	Spacer	1
22	E019-M18-01	Spring Washer	1
23	0JD-50307	Flow Restrictor	1
24	A012-50304/2-01	Thread Bushing	2
25	F002-21.2x3.55-01	O Ring	2
26	F002-12.5x2.65-01	O Ring	3
27	A012-50312-01	Bushing	1
28	F017-2xD18xD25-01	Gasket	1
29	A012-50313-01	Thin Nut	1
30	A012-50314-01	Coupling	1
31	E010-M6x20-01	Blot M6x20	12
32	E011-M6-01	Spring Washer	12
33	E012-M6-01	Flat Washer	12

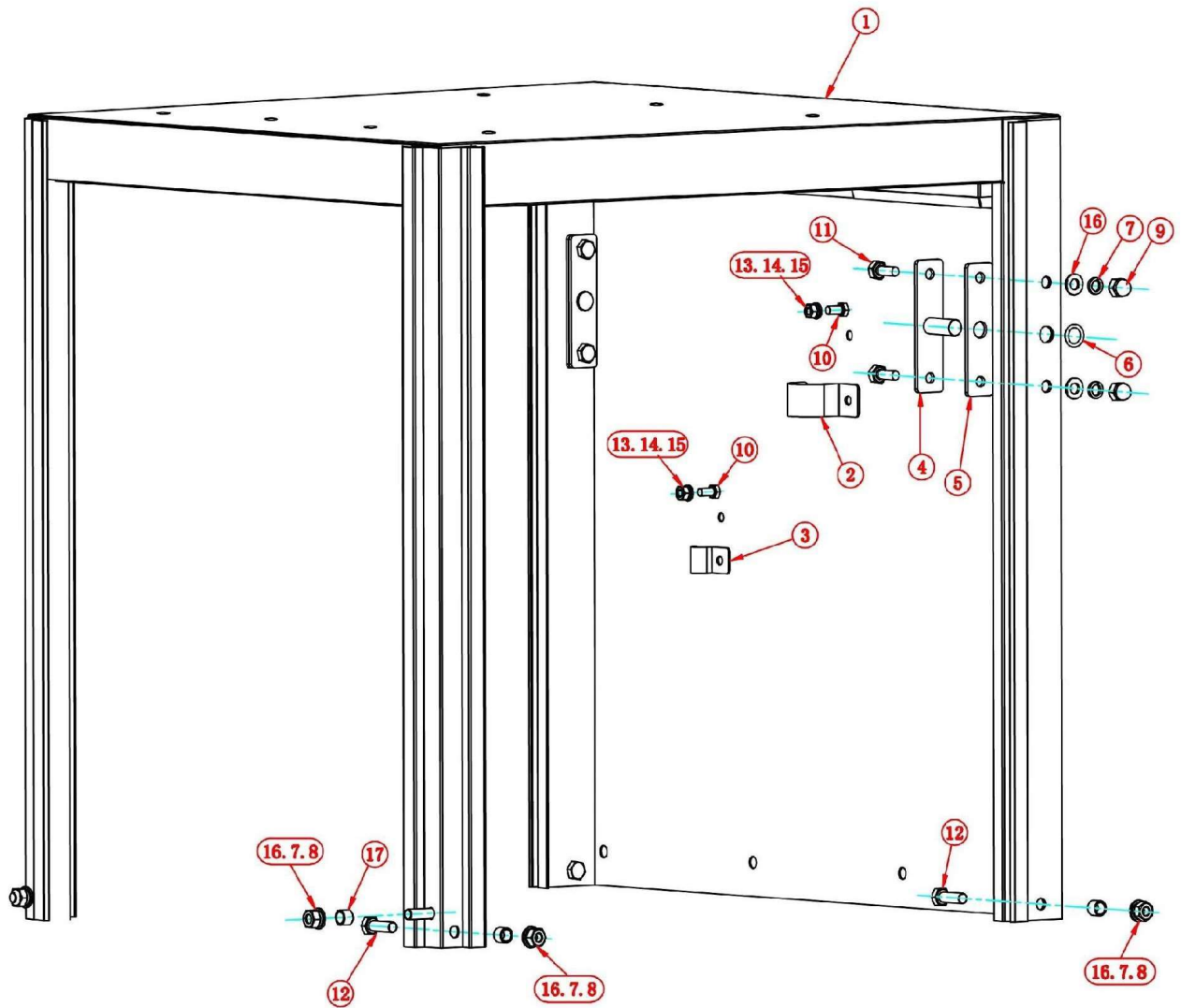
Booster Heater



Booster Heater

<u>Item No.</u>	<u>Parts No.</u>	<u>Parts Name</u>	<u>Quantity</u>
1	0JD-40A-301	Booster Cylinder Tank w/insulation	1
2	0JD-40A-301-8A	Cover	1
3	F001-40309-01	Gasket	1
4	G005-9KW-02	9kW Heater (380V)	1
5	D004-1/2X85-01	1/2 " S.S. Joint	1
6	D018-1/2 -01	½" Drain Valve	1
7	D026-1/8-01	Hole Plug	2
8	D023-3BAR-01	Pressure Relief Valve	1
9	D009-1/2-01	½" S.S Elbow	1
10	F021-50310/3A-01	Rubber Hose	1
11	E018-11x25-01	Hose Clip 11x25	4
12	E013-M8-01	Hexagonal Nut	4
13	E011-M8-01	Spring Washer	4
14	E012-M8-01	Flat Washer	4
15	D009-1/2-01	½" S.S. Elbow	1
16	D004-1/2x150-01	15 cm, 1/2" S.S. Joint Piping	1
17	G021-110C-01	Booster Thermostat 110 C	1
18	E013-M6-01	Hexagonal Nut	2
19	E011-M6-01	Spring Washer	2
20	E012-M6-01	Flat Washer	2
21	G021-86C-01	Booster Thermostat 86 C	1
22	G065-WZJ1020-02	Temp Display Board Probe (Red / Black)	1
23	0JD-40A-301-7B	Heater Bracket	1

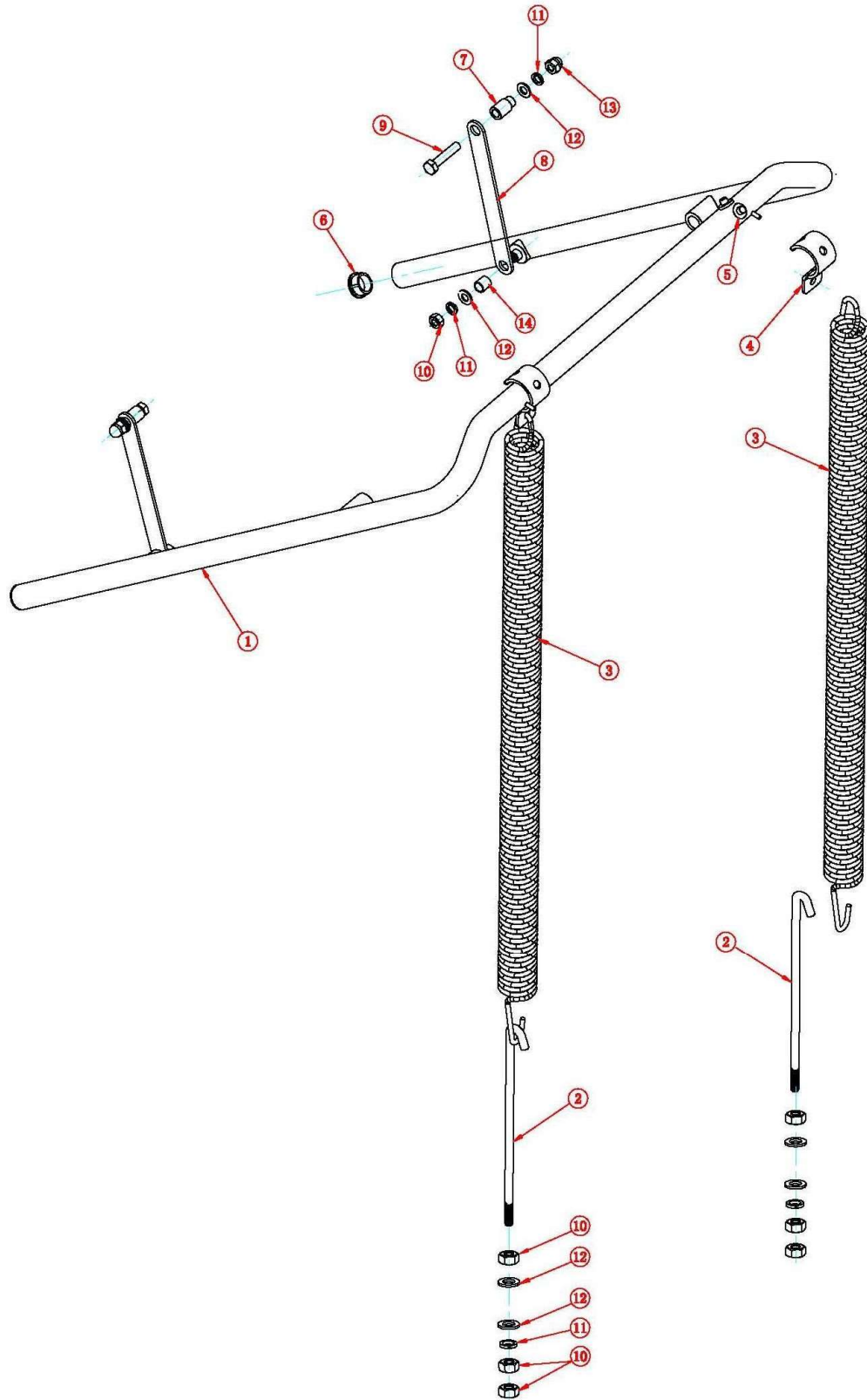
Wash Chamber



Wash Chamber

<u>Item No.</u>	<u>Parts No.</u>	<u>Parts Name</u>	<u>Quantity</u>
1	0JD-20000A	Upper Hood	1
2	0JD-65317	Clip	1
3	0JD-65318	Clip	1
4	0JD-25307	Handle Pivot	2
5	F001-25311-01	Sealing Gasket	2
6	E012-M12-01	Washer	2
7	E011-M8-01	Lock Washer M8	8
8	E013-M8-01	Bolt M8	6
9	E014-M8-01	Hex Domed Cap Nut M8	4
10	E009-M6x16-01	Bolt M6x16	2
11	E009-M8x20-01	Bolt M8x20	4
12	E009-M8x25-01	Bolt M8x25	6
13	E013-M6-01	Nut M6	2
14	E011-M6-01	Lock Washer M6	2
15	E012-M6-01	Flat Washer M6	2
16	E012-M8-01	Flat Washer M8	10
17	A012-65313A-01	Bushing	6

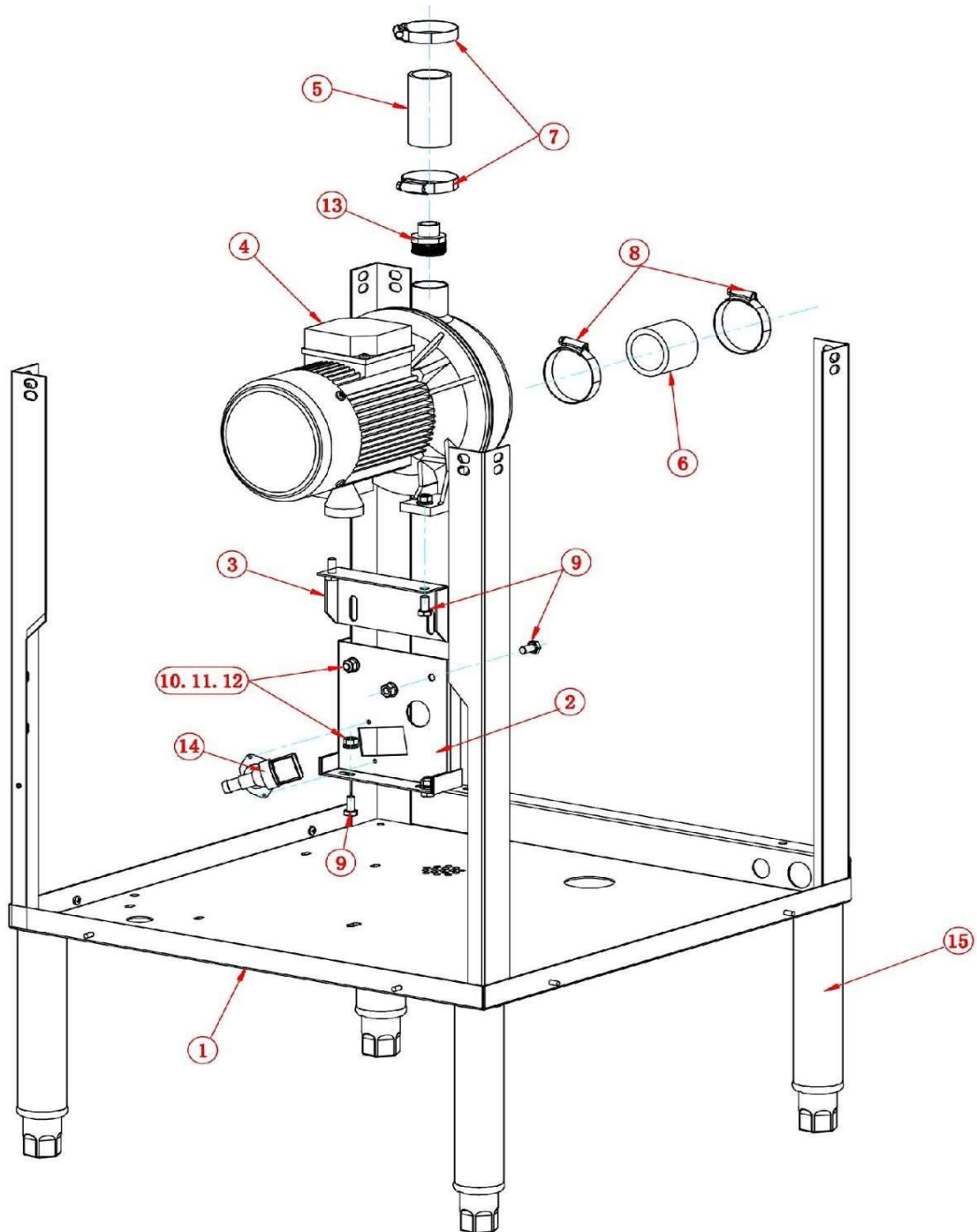
Door Lift Assembly



Door Lift Assembly

<u>Item No.</u>	<u>Parts No.</u>	<u>Parts Name</u>	<u>Quantity</u>
1	0JD-25301	Handle	1
2	0JD-25303	Hook-Spring	2
3	A002-25309-01	Door Spring	2
4	0JD-25302	Hanger-Spring	2
5	F025-25308-01	Button-Bearing	4
6	F005-D25-01	Handle Cap	2
7	A012-65408-01	Door Pivot	2
8	0JD-25304B	Door Link	2
9	E009-M8x40-01	Bolt M8x40	6
10	E013-M8-01	Nut M8	8
11	E011-M8-01	Lock Washer M8	6
12	E012-M8-01	Flat Washer M8	8
13	E014-M8-01	Cap Nut M8	2
14	A012-25305-01	Bushing	2

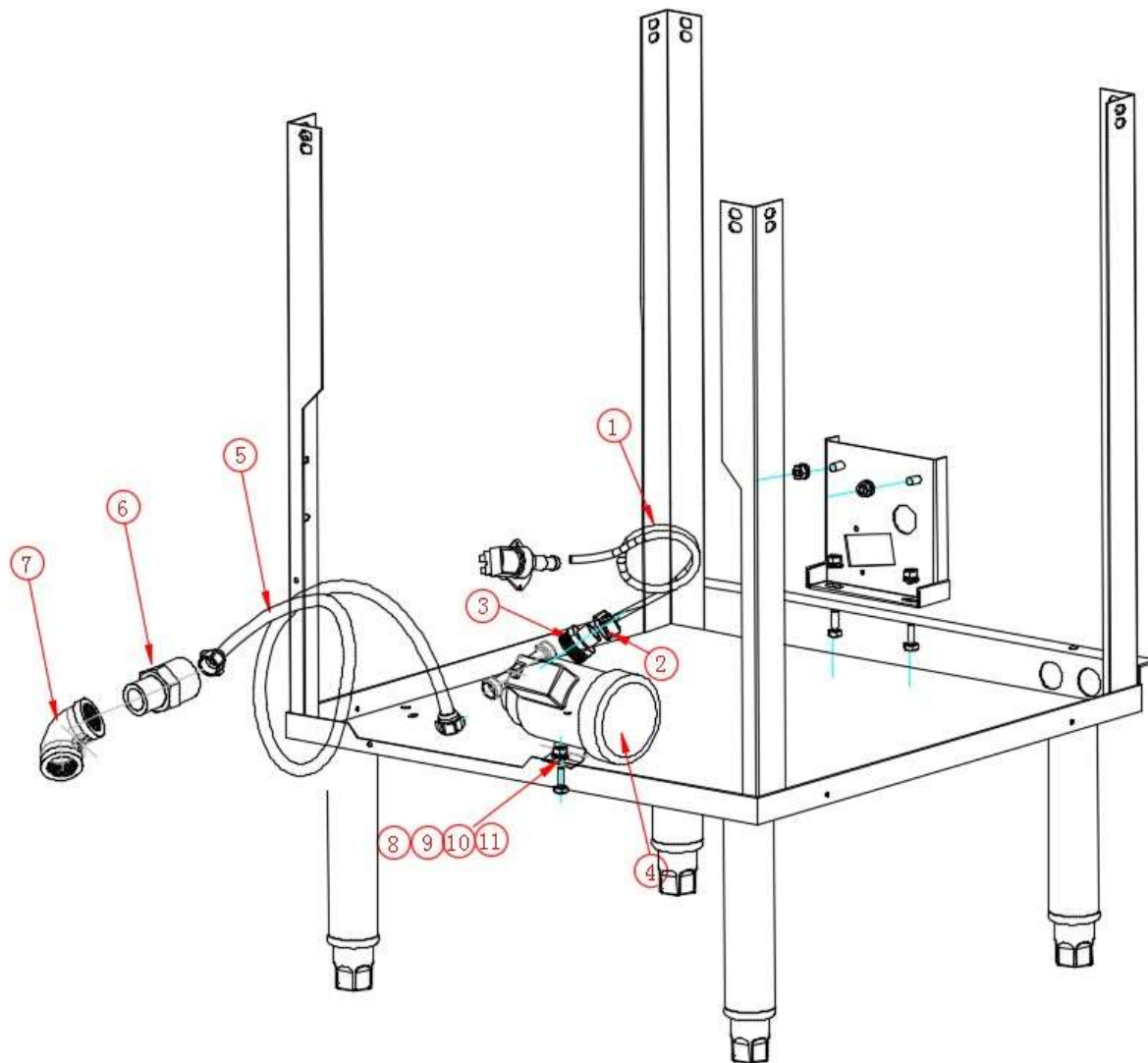
Wash & Rinse Pumps Assembly



Wash & Rinse Pumps Assembly

<u>Item No.</u>	<u>Parts No.</u>	<u>Parts No.</u>	<u>Quantity</u>
1	0JD-10000B	Base	1
2	0JD-60301/1	Lower Stand	1
3	0JD-60302	Upper Stand	1
4	G003-120/090-01	Wash Pump – 1 Phase	1
4	G003-120/090-03	Wash Pump – 3 Phase	1
5	F021-D38-01	Wash Pump Hose (Out) 80 mm	1
6	F021-D51-01	Wash Pump Hose (In) 60 mm	1
7	E018-32X57-01	Hose Clip 32x57	2
8	E018-46X70-01	Hose Clip 46x70	2
9	E009-M8x20-01	Bolt M8x20	6
10	E013-M8-01	Nut M8	6
11	E011-M8-01	Lock Washer M8	6
12	E012-M8-01	Flat Washer M8	6
13	0JD-60313	Hose Adapter	1
14	G017-220V-01	Solenoid Valve (220v/50 Hz)	1
15	A003-10307B-01	Extendable Leg	4

Lower Frame Assembly with Pressure Pump

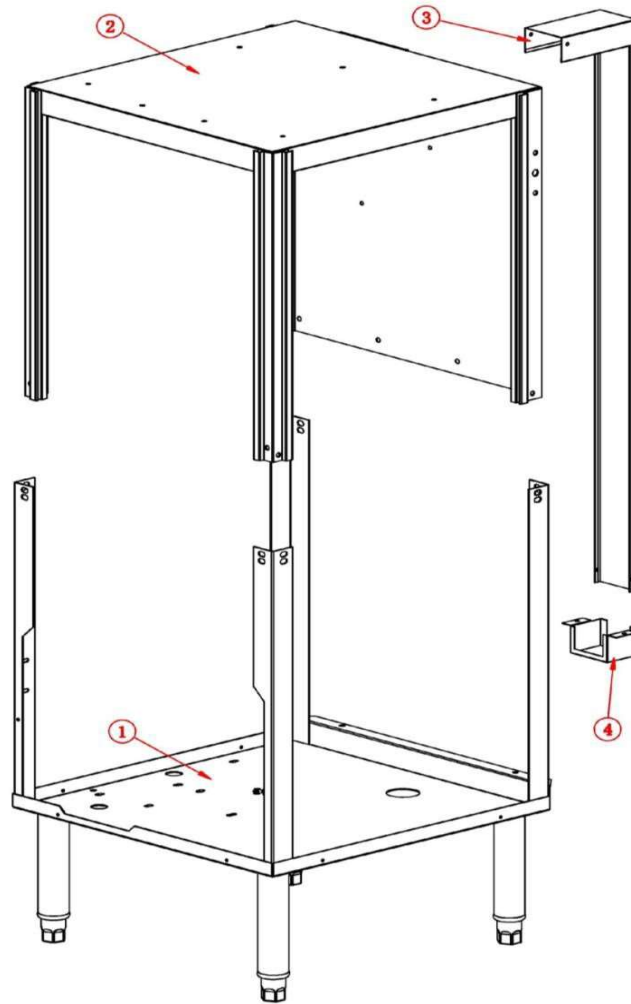


Lower Frame Assembly with Pressure Pump

<u>Item No.</u>	<u>Parts No.</u>	<u>Name</u>	<u>Quantity</u>
1	F021-D13-01	Hose Dia13x800mm	1
2	E018-11X25-01	Hose Clip-XG-11-25	1
3	A012-50352-01	Hose Adaptor	1
4	G003-RGZ15/20-01	Pressure Pump 0.28kw-50hz	1
5	D024-3/4X550-01	S/S water inlet pipe	1
6	D010-1/2X3/4-02	Reducer Union 1/2" x 3/4"	1
7	D009-1/2-01	Elbow 1/2"	1
8	E013-M6-01	Nut M6	2
9	E011-M6-01	Spring Washer M6	2
10	E012-M6-01	Flat Washer M6	2
11	E009-M6X20-01	Bolt M6x20	2

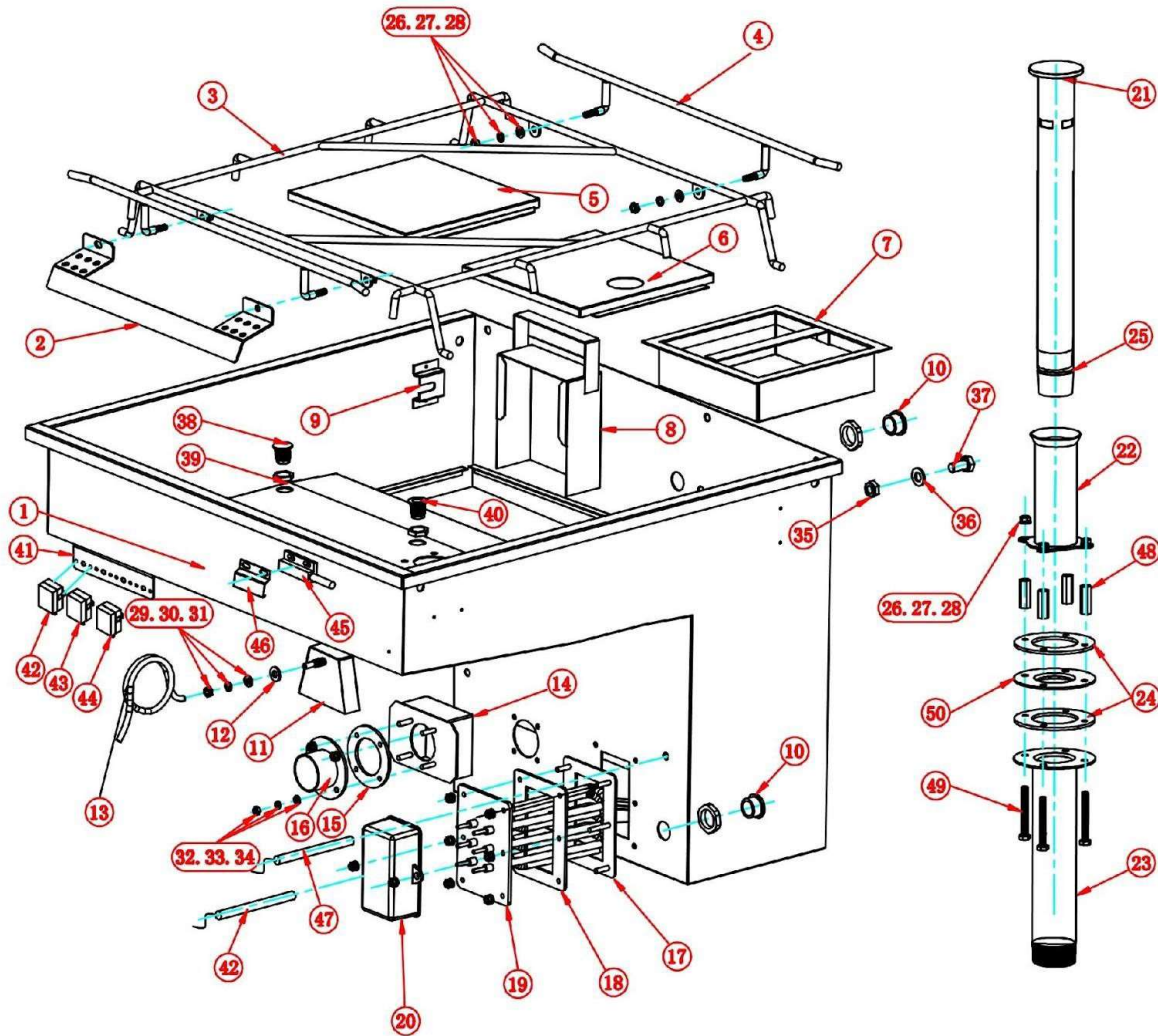
G-TEK

Wash Chamber & Lower Frame Assembly



<u>Item No.</u>	<u>Parts No.</u>	<u>Parts Name</u>	<u>Quantity</u>
1	0JD-10000	Base (SG)	1
2	0JD-20000A	Upper Hood	1
3	0JD-70B-306	Cable Trunk	1
4	0JD-70B-307	Trunk Elbow	1

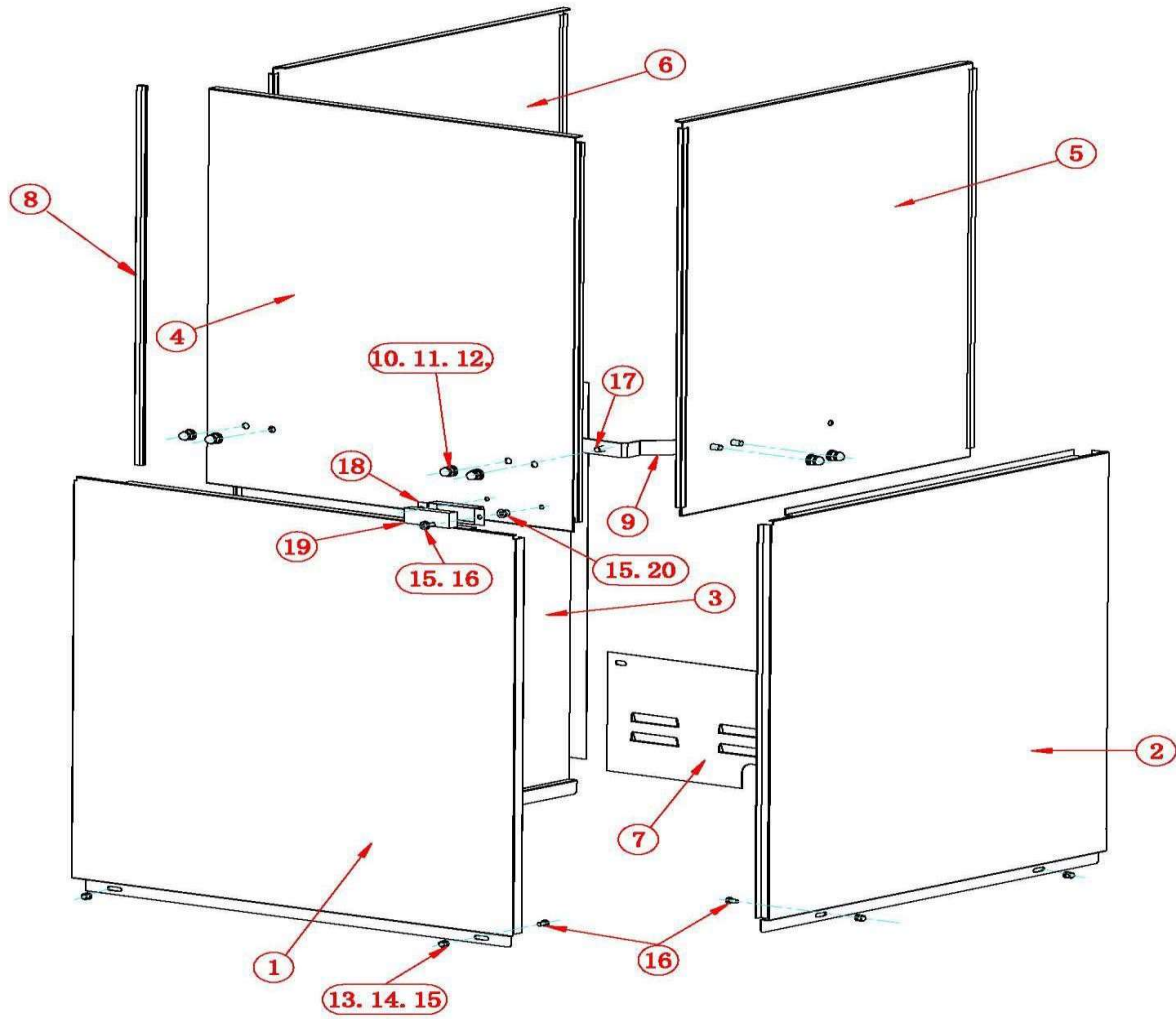
Wash Tank Assembly



<u>Item No.</u>	<u>Parts No.</u>	<u>Parts Name</u>	<u>Quantity</u>
1	0JD-10301	Wash Tank	1
2	0JD-30303-7	Splash Protection	1
3	0JD-30301	Rack Holder (Complete)	1
4	0JD-30301-5	Side Rail	2
5	0JD-65303-1	Scrap Tray - Left	1
6	0JD-65302-1	Scrap Tray - Right	1
7	0JD-65301	Scrap Tray Basket	1
8	0JD-65304	Pump Intake Screen	1
9	0JD-10301-6	Rack Holder Bracket	4
10	F005-M22-01	Hole Plug	2
11	0JD-65309	Air Chamber	1
12	F017-2xD8xD16-01	Air Chamber Gasket	1

<u>Item No.</u>	<u>Parts No.</u>	<u>Parts Name</u>	<u>Quantity</u>
13	F022-D8X4-01	Silicon Tube	1
14	0JD-60306A	Pump Intake Screen Holder	1
15	F001-60307A-01	Wash Pump Inlet Gasket	1
16	0JD-60305A	Wash Pump Inlet Flange	1
17	0JD-65332	Wash Tank Heater Flange	1
18	F001-40304-01	Heater Gasket	1
19	G005-3KW-01	Tank Heater 3kW (High Temp)	1
	G005-2KW-01	Tank Heater 2kW (Low Temp)	1
20	F016-40305-01	Heater Cover	1
21	0JD-65305	S.S. Drain / Overflow Pipe	1
22	0JD-65350	Drain Pipe Guider	1
23	0JD-65306A	Drain Pipe Adaptor	1
24	F001-65307A-01	Drain Pipe Gasket	2
25	F002-32.5X2.65-01	O-Ring	1
26	E013-M6-01	Nut M6	8
27	E011-M6-01	Lock Washer M6	8
28	E012-M6-01	Flat Washer M6	8
29	E013-M8-01	Nut M8	1
30	E011-M8-01	Lock Washer M8	1
31	E012-M8-01	Flat Washer M8	1
32	E013-M5-01	Nut M5	12
33	E011-M5-01	Lock Washer M5	12
34	E012-M5-01	Flat Washer M5	12
35	E013-M10-01	Nut M10	1
36	E012-M10-01	Flat Washer	1
37	E009-M10x20-01	Hex bolt M10 x 20	1
38	A012-50312A-01	Screw-Sealed (B Type)	1
39	A012-50313-01	Bushing	2
40	A012-50312-01	Screw-Sealed	1
41	0JD-10301-8	Thermostat Bracket	1
42	G021-82C-01	TT Thermostat 82°C	1
43	G021-86C-01	BT Thermostat 86°C	1
44	G021-110C-01	BST Thermostat 110°C	1
45	0JD-65998A	Magnetic Switch w Cable	1
46	0JD-65340	Magnetic Switch Bracket	1
47	G065-WZJ1020-03	Temperature Probe (Black)	1
48	A012-65350/3	Drain Guider Stand	4
49	E009-M6x50-01	Hex Bolt M6 x50	4
50	0JD-65306A-1	Connection Plate	1

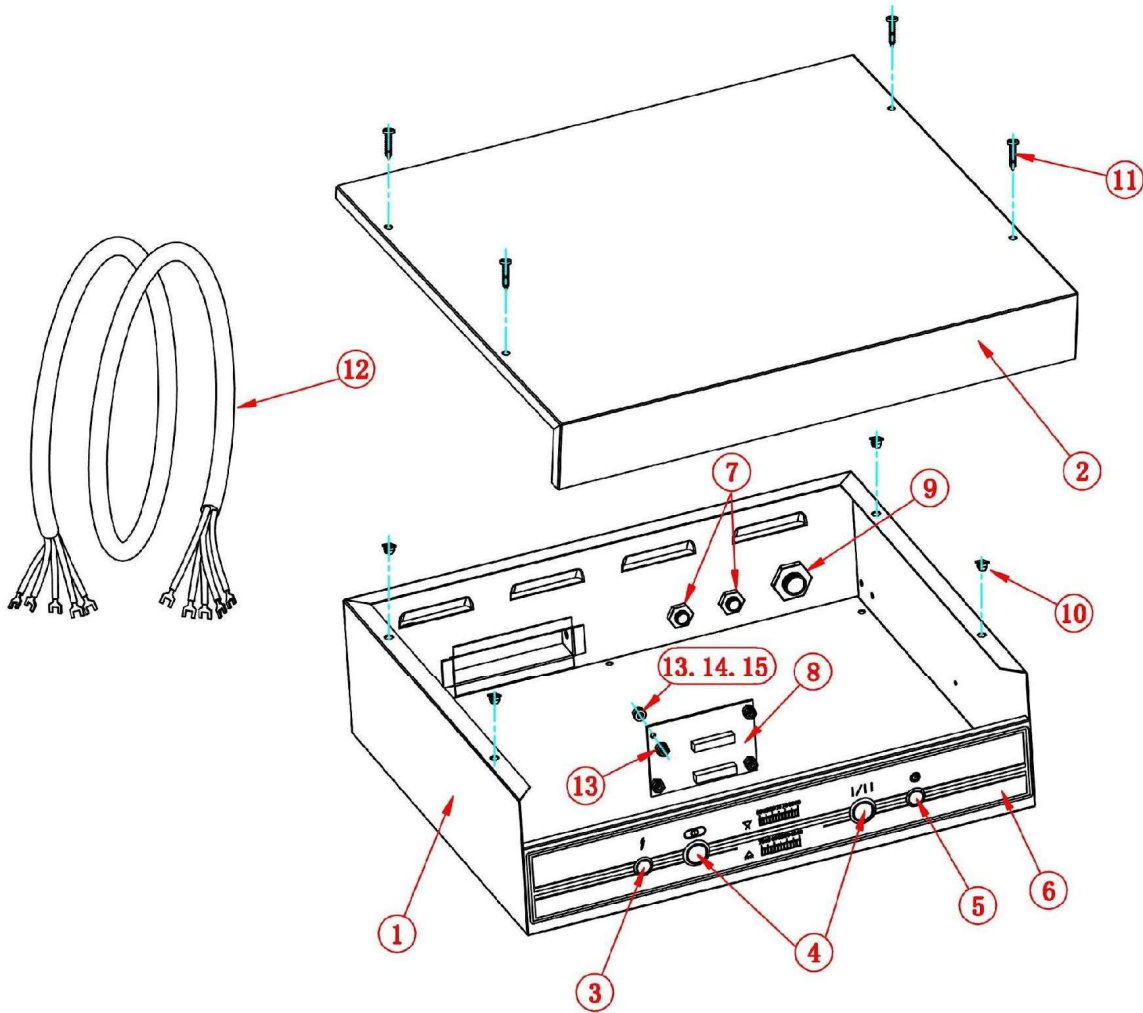
Door Panel Assembly



Door Panel Assembly

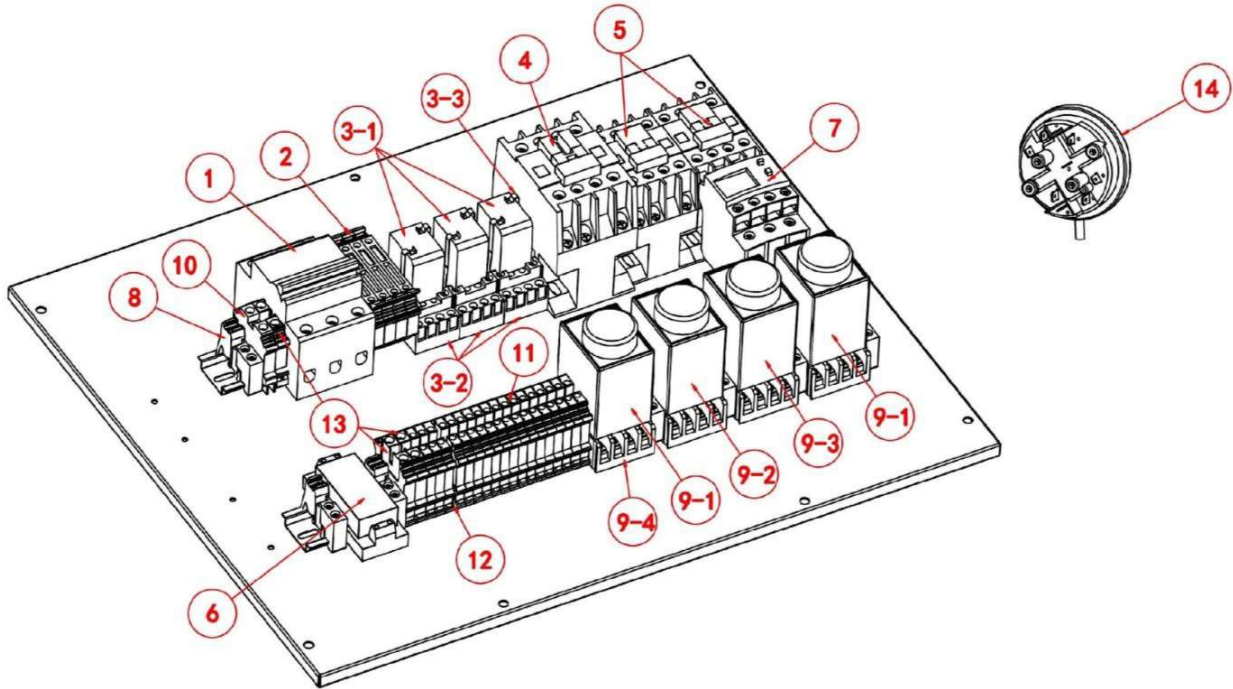
<u>Item No.</u>	<u>Parts No.</u>	<u>Parts Name</u>	<u>Quantity</u>
1	0JD-65320B	Lower Front Panel	1
2	0JD-65321B	Lower Side Panel (R)	1
3	0JD-65322	Lower Side Panel (L)	1
4	0JD-65323	Front Door	1
5	0JD-65324	Side Door (R)	1
6	0JD-65325	Side Door (L)	1
7	0JD-65B-327	Lower Rear Panel	1
8	F003-65326-01	Door Guide	6
9	0JD-65316	Door Lift Bracket	2
10	E014-M8-01	Cap Nut M8	8
11	E011-M8-01	Lock Washer M8	8
12	E012-M8-01	Flat Washer M8	8
13	E013-M5-01	Cap Nut M5	6
14	E011-M5-01	Lock Washer M5	6
15	E012-M5-01	Flat Washer M5	6
16	E009-M5x10-01	Bolt M5x10	6
17	E009-M8x20-01	Bolt M8x20	8
18	0T2D-65318-8	Magnet Housing	1
19	A005-10X17X51-01	Magnet	1
20	E015-M5-01	Lock Nut M5	2

Top Mounted Control Panel



<u>Item No.</u>	<u>Parts No.</u>	<u>Parts Name</u>	<u>Quantity</u>
1	0JD-70C-301B	Control Panel Base	1
2	0JD-70C-302	Control Panel Cover	1
3	G035-E/5V-01	Standby Light (Yellow)	1
4	G036-11Z-01	Cycle or On/Off Button	2
5	G035-E/5V-02	Cycle Light (Green)	1
6	G031-Champion-01	Panel Sticker	1
7	G029-PG9-01	Conduit	2
8	G014-1020-01	Temperature Display Panel	1
9	G029-PG21/2-01	Conduit	1
10	F047-3S-0382-01	Light Button	4
11	E003-M4*8X13-01	Screw M4x8x13	4
12	G066-3X6P/2X4P-01	Cable	2m
13	E013-M4-01	Nut M4	12
14	E011-M4-01	Lock Washer M4	4
15	E012-M4-01	Flat Washer M4	4

Electrical Control Panel



<u>Item No.</u>	<u>Parts No.</u>	<u>Parts Name</u>	<u>Quantity</u>
1	G009-D40A-01	Circuit Breaker	1
2	G041-4RD-01	Fuse Terminal-UKJ-4RD	4
3-1	G012-P7-01	Relay 220V	3
3-2	G028-RXZE1M4C-01	Relay Base	3
3-3	G012-RXZ410-01	Relay Clip	6
4	G008-D18M7C-01	Wash Pump Contactor	1
5	G008-D09M7C-01	Wash Pump Contactor	2
6	G024-220V/5V-03	Inverter (220v to 5v)	1
7	G010-08C-01	Wash Pump Overload	1
8	G042-2G2-01	Wiring Terminal-UKJ-2G2	7
9-1	G011-180S/ AC220V-01	Timer 180S, 220V	2
9-2	G011-30S/ AC220V-01	Timer 30S, 220V	1
9-3	G011-10S /AC220V-01	Timer 10S, 220V	1
9-4	G028-RXZE2S114M-01	Timer Base	4
10	G041-6JD-01	Wiring Terminal-UKJ-6JD	1
11	G041-4-01	Wiring Terminal-UKJ-4	17
12	G032-G/DUK-01	Protection plate	1
13	G041-6-02	Wiring Terminal	3
14	G019-KSG/6-01	Pressure Switch	1