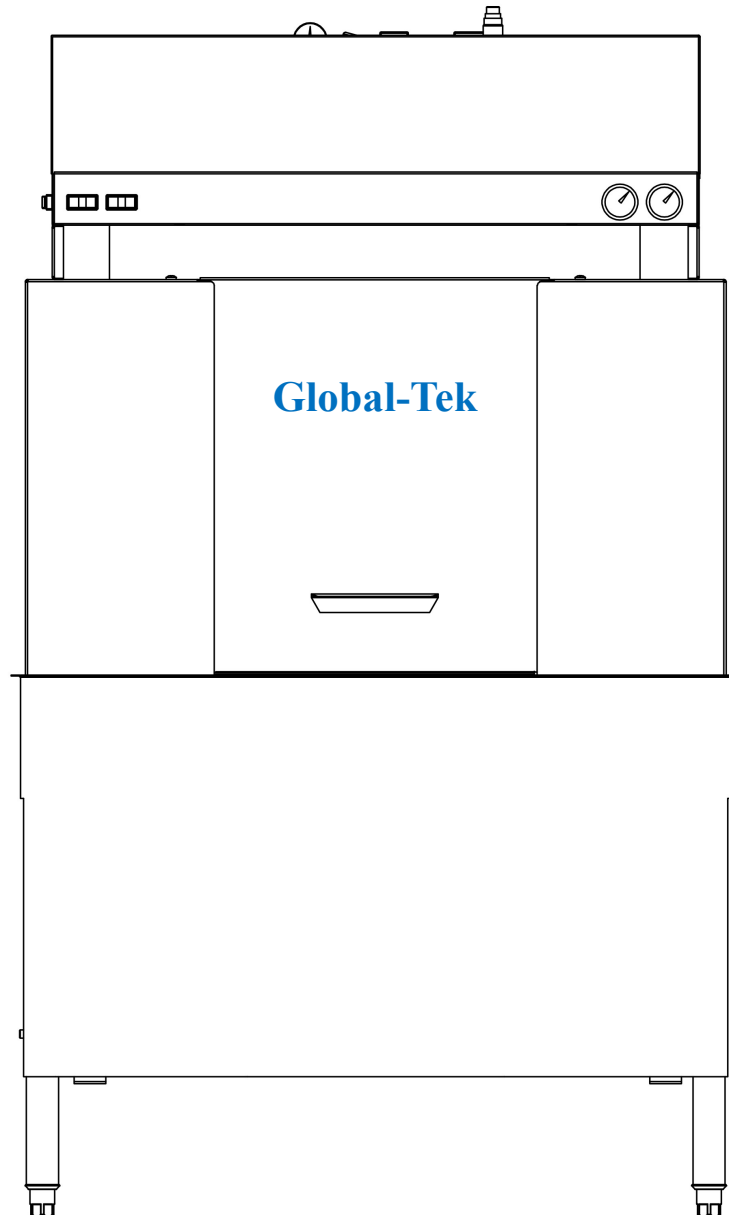


Single Tank
Conveyor Type
Dish Washer
Model : CR1

Global-Tek Machinery Pte. Ltd.

Model: GT-CR1

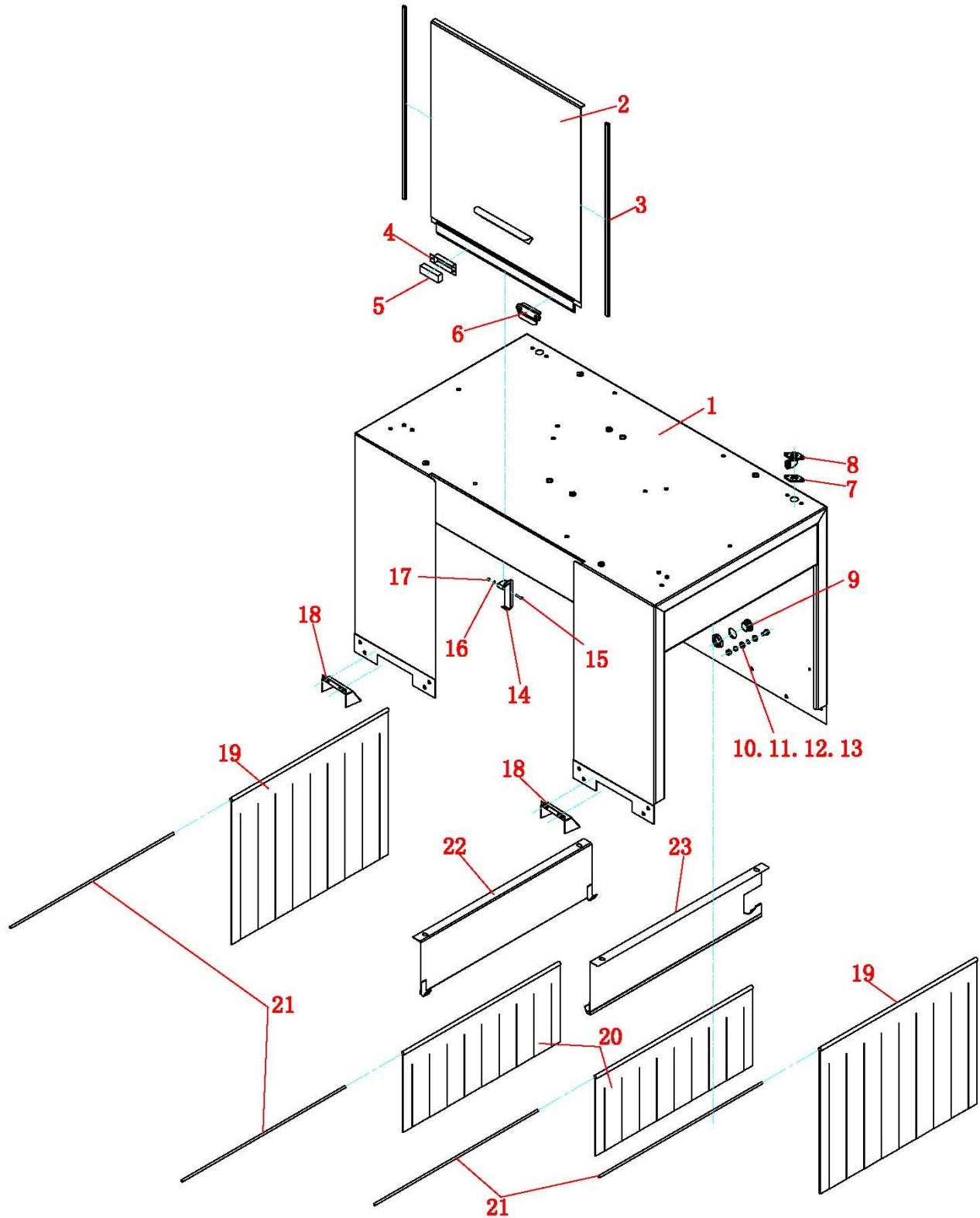
Single Tank Conveyor Type Dish Washer



CONTENT

➤ Wash Chamber.....	3-4
➤ Wash Tank Assembly.....	5-6
➤ Conveyor Slide.....	7
➤ Conveyor Assembly.....	8
➤ Wash Arm and Wash Motor Assembly.....	9-10
➤ Rinse Arm Assembly.....	11-12
➤ Conveyor Motor Assembly.....	13-14
➤ Booster Heater Assembly.....	15-16
➤ Fill Piping Assembly.....	17-18
➤ Electrical Control Panel.....	19-20

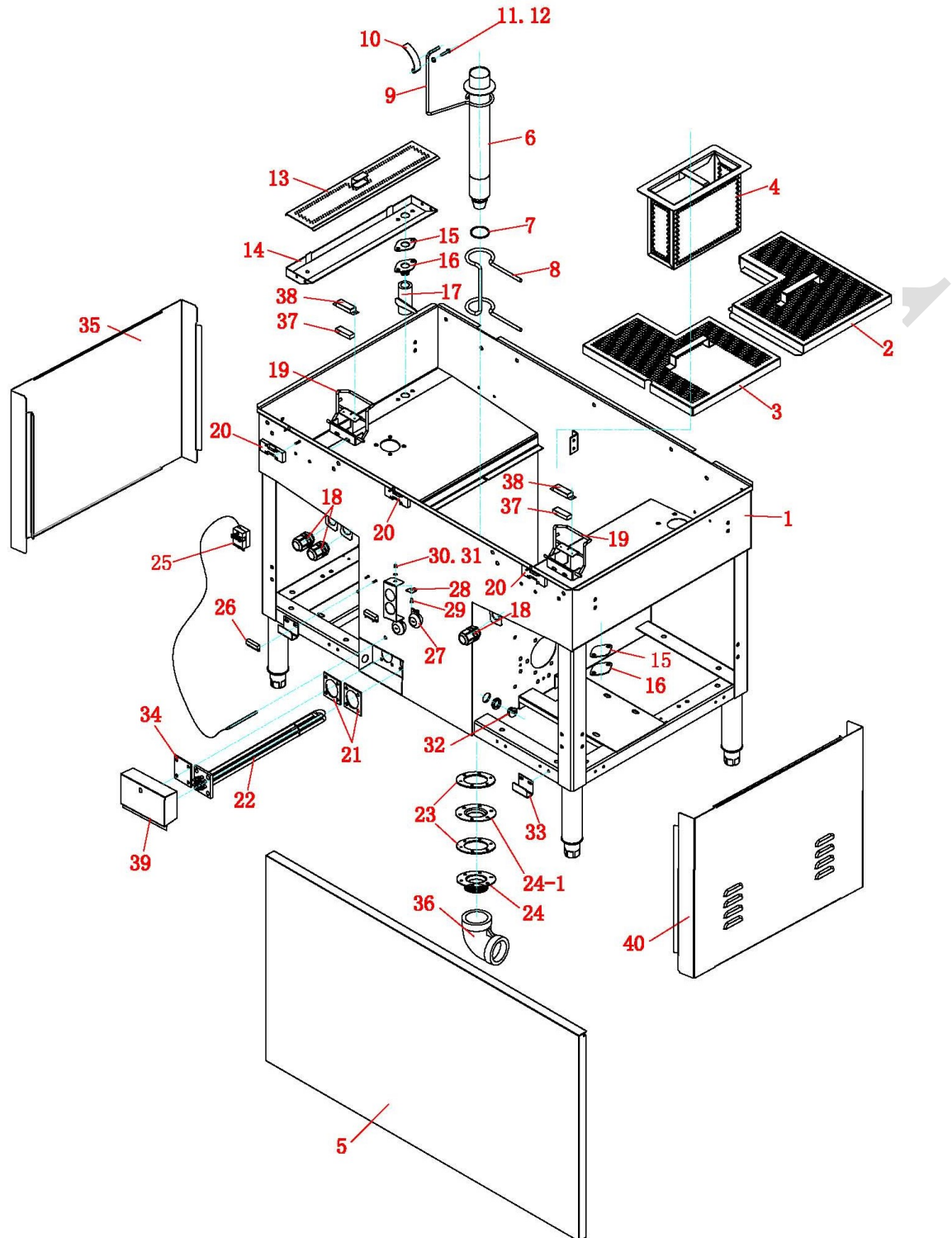
Wash Chamber



Wash Chamber

<u>Item No.</u>	<u>Parts No.</u>	<u>Part Name</u>	<u>Qty</u>
1	0T1D-20000A	Upper Hood	1
2	0T2D-65331	Front Door	1
3	F003-65326-01	Draw Strip	2
4	0T2D-65318-8	Magnet Housing S.S	1
5	A005-10X17X51-01	Magnet	1
6	0CD-YQ23-314	Drain Stopper	1
7	F001-50317-01	Gasket	1
8	0MF-YQ20-316	Fill Elbow	1
9	F005-M22-01	Hole Plug	1
10	E013-M10-01	Hexagonal Nut	1
11	E011-M10-01	Spring Washer	1
12	E012-M10-01	Flat Washer	2
13	E009-M10X20-01	Hex Bolt	1
14	0T2D-65330	Door Hook	1
15	E010-M5X30-01	Hexagon Socket Screw	1
16	E012-M5-01	Flat Washer	1
17	E015-M5-01	Jam Nut	1
18	0T2D-65320	Magnetic Switch Cover	2
19	F031-T1D-01	Long Curtain	2
20	F031-T1D-02	Short Curtain	2
21	C004-D8-01	Curtain Rod	4
22	0T2D-65324	Splash Restrictor (Left)	1
23	0T2D-65322	Splash Restrictor (Right)	1

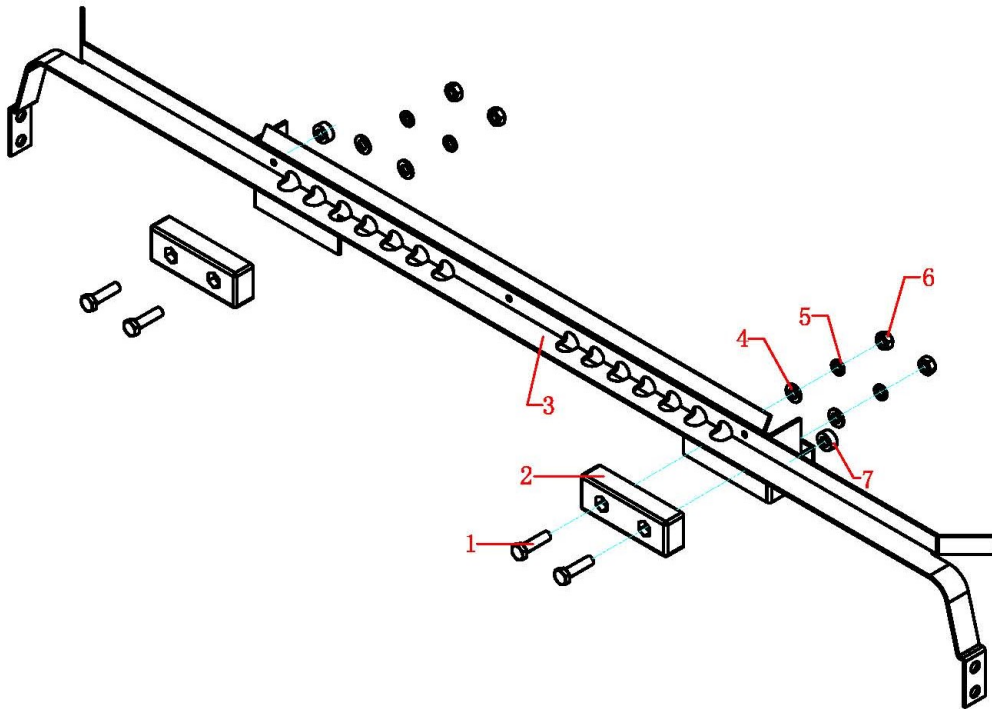
Wash Tank Assembly



<u>Item No.</u>	<u>Parts No.</u>	<u>Part Name</u>	<u>Qty</u>
1	OT1D-10000	Wash Pan	1
2	OT2D-65303	Scrap Tray (Rear)	1

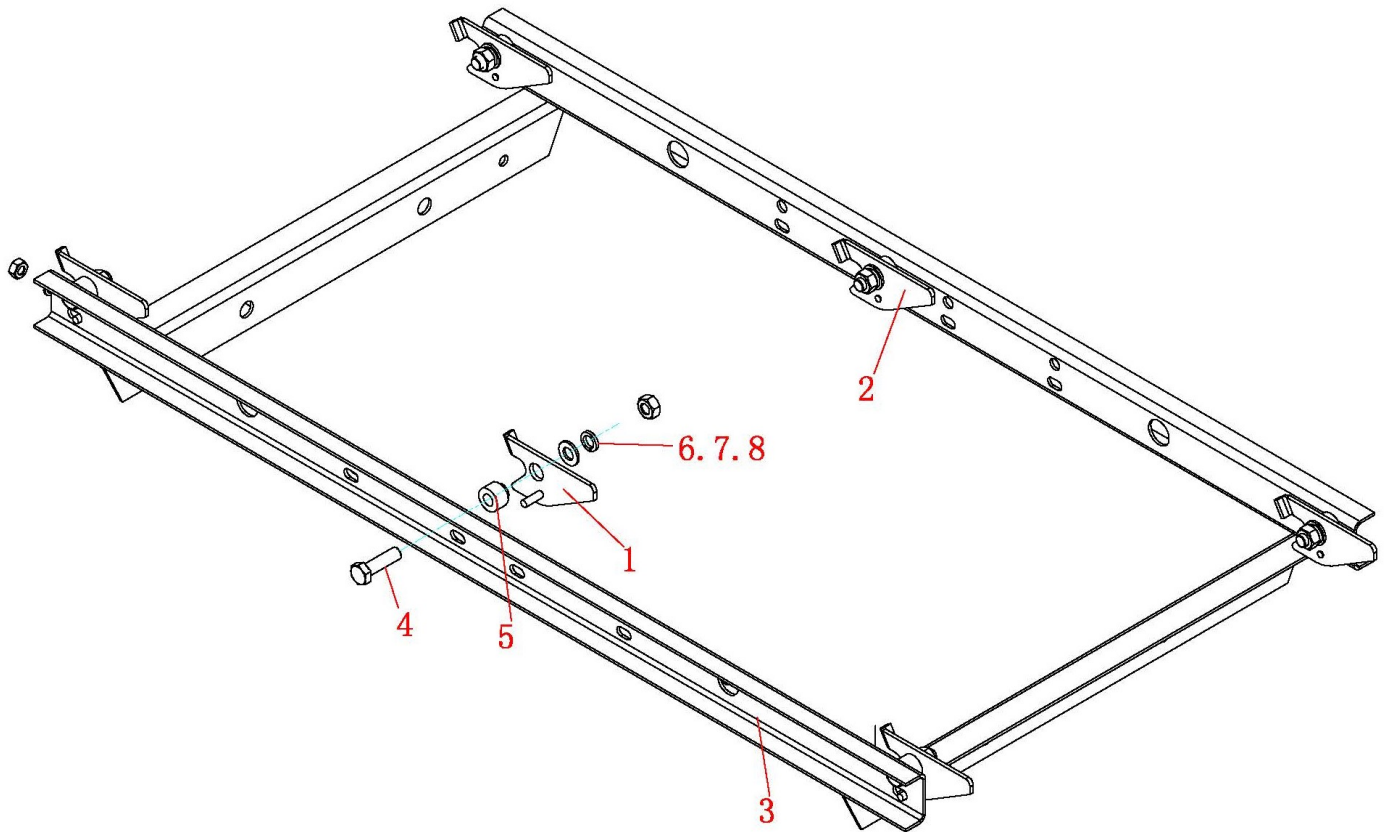
3	0T2D-65302	Scrap Tray (Front)	1
4	0T2D-65301	Scrap Tray Basket	1
5	0T1D-65334	Front Panel	1
6	0T2D-65307	Drain Pipe S.S	1
7	F002-34.5X5.3-01	Drain Pipe O Ring	1
8	0T2D-65310	Drain Pipe Guide	1
9	0T2D-65311-2	Lift Link	1
10	0T2D-65311-1	Lift Link Handle	1
11	E010-M6X30-01	Hexagon Socket Screw	1
12	E012-M6-01	Flat Washer	1
13	0T1D-65342	Rinse Saver Cover	1
14	0T1D-65341	Rinse Saver	1
15	F001-50317-01	Gasket	2
16	0T1D-50346	Connecting Port	1
17	D022-1/2-01	Valve at Rinse Saver	1
18	G030-PG16-01	Cable Conduit	3
19	0T2D-65318A	Magnetic Switch Activator	2
20	0T2D-70308	Magnetic Door Contact Switch	3
21	F001-40309-01	9kW Heater Gasket	2
22	G005-9KW-02	9kW Heating Element	1
23	F001-65309A-01	Drain Gasket	2
24	0T2DA-65308-01	Drain Sit	1
24-1	0T2DA-65308-02	Upper Drain Sit	1
25	G021-82C-01	Wash Tank Thermostat	1
26	0JD-65998A	Door Magnet Switch w Cable	2
27	0T2D-70309	Float Ball Only	2
28	0CD-YQ23-318	Float Ball Card	2
29	E002-M6X10-01	Thermostat Screw	2
30	E012-M6-01	Flat Washer	2
31	E015-M6-01	Jam Nut	2
32	F005-M22-01	22 mm Hole Plug	2
33	0T2D-65328	Panel Bracket	2
34	0T2D-40305	S.S. Covering Plate	1
35	0T2D-65335-1	Side Panel	1
36	D009-2-01	Elbow	1
37	A005-10X17X51-01	Door Magnet	2
38	0T2D-65318-8	Magnet Housing S.S.	2
39	0T2DA-10301-6	Heater Cover	1
40	0T1D-65B-335-1	Side Panel	1

Conveyor Slide



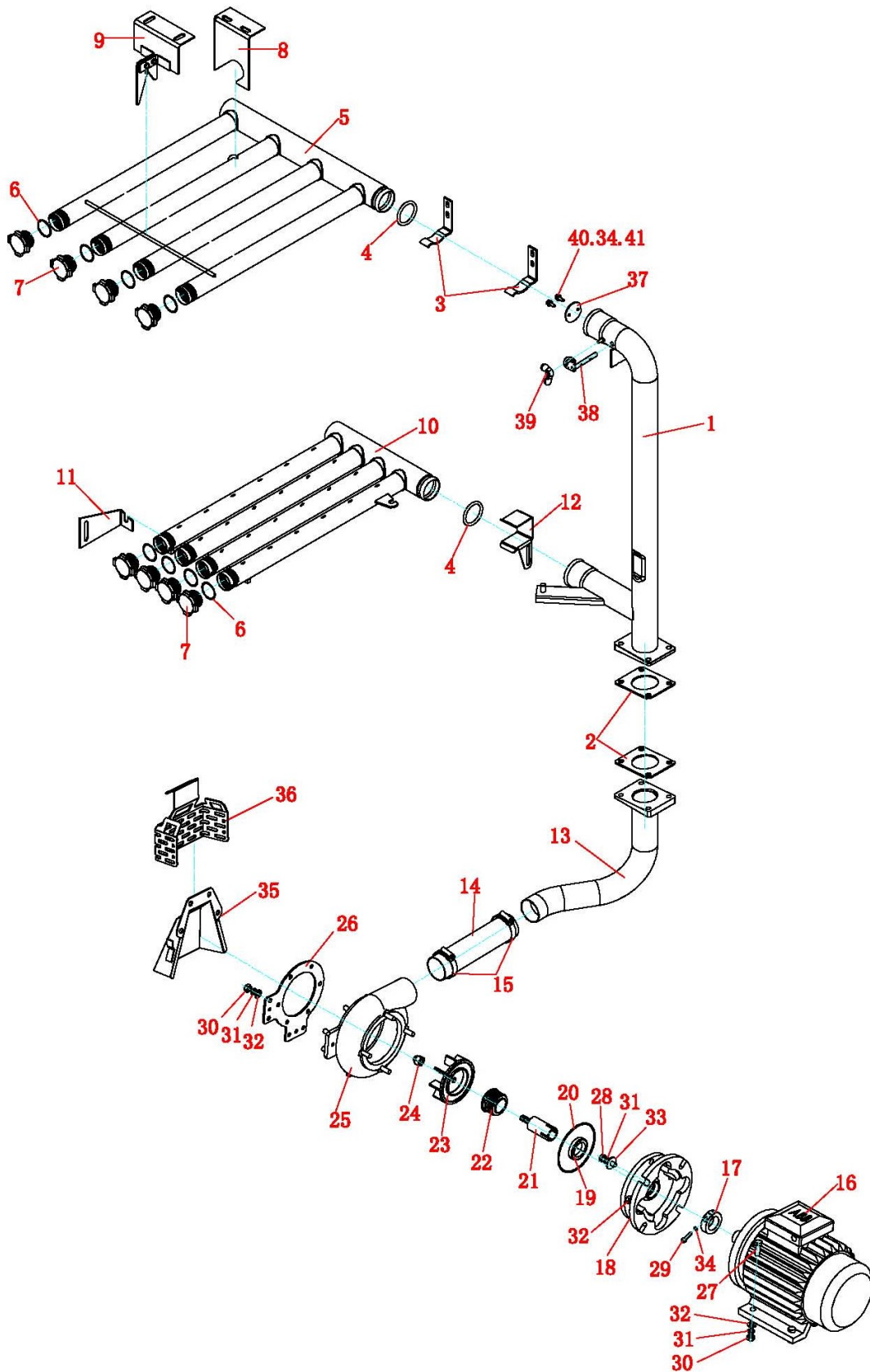
<u>Item No.</u>	<u>Parts No.</u>	<u>Part Name</u>	<u>Qty</u>
1	E009-M8X25-01	Hex Bolt	4
2	F018-30311-01	Slider	2
3	0T1D-30301	Rail	1
4	E012-M8-01	Flat Washer	4
5	E011-M8-01	Spring Washer	4
6	E013-M8-01	Hexagonal Nut	4
7	A012-30312-01 A012-30313-01	Pivot	2

Conveyor Assembly



<u>Item No.</u>	<u>Parts No.</u>	<u>Part Name</u>	<u>Qty</u>
1	0T2D-30306	Conveyor Dog (Left)	3
2	0T2D-30305	Conveyor Dog (Right)	3
3	0T2D-30303	Conveyor Truck	1
4	E009-M10x30-01	Hex Bolt	6
5	A012-30310-01	Positioning Bushing	6
6	E012-M10-01	Flat Washer	6
7	E011-M10-01	Spring Washer	6
8	E013-M10-01	Hexagonal Nut	6

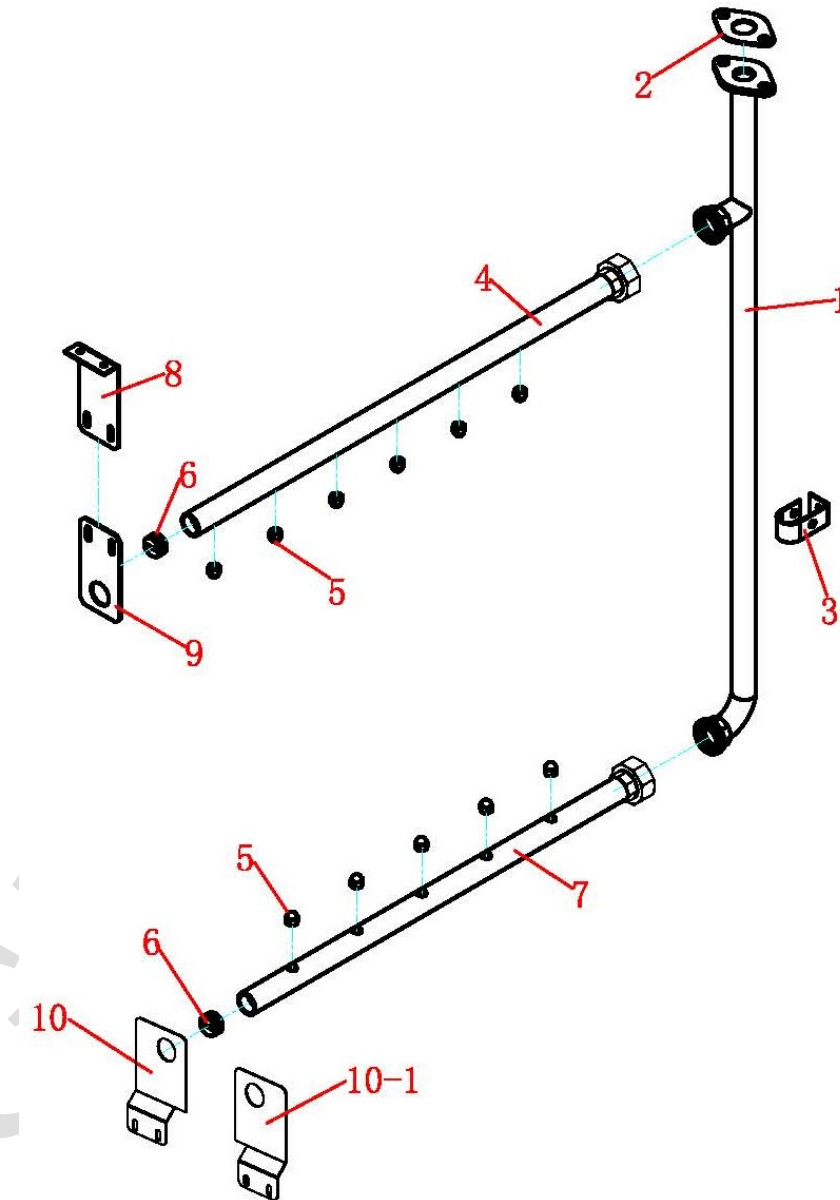
Wash Arm and Wash Motor Assembly



Wash Arm and Wash Motor Assembly

<u>Item No.</u>	<u>Parts No.</u>	<u>Part Name</u>	<u>Qty</u>
1	0T2D-50301	Wash Arm Manifold	1
2	F001-50305-01	Wash Arm Manifold Gasket	2
3	0T2D-50322	Upper Wash Arm Bracket	2
4-7	0T2DA-SQXG-PJ	Upper Wash Arm Complete	1
4,6,7,10	0T2DA-XQXG-PJ	Lower Wash Arm Complete	1
4	F002-40X5.3-01	Wash Arm O Ring	2
5	0T2D-50303	Upper Wash Arm Only	1
6	F002-28X2.65-01	Wash Arm End Cap O Ring	8
7	F007-50339-01	Wash Arm End Cap	8
	F007-50339-01 w O Ring	Wash Arm End Cap w O Ring	8
8	0T2D-50323	Hitch Frame	1
9	0T2D-50324	Upp Wash Arm Lock Bracket	1
10	0T2D-50302	Lower Wash Arm Only	1
11	0T2D-50326	Lower Wash Arm Layer Board (Rear)	1
12	0T2D-50325	Lower Wash Arm Layer Board (Front)	1
13	0T2D-50304	Wash Motor Manifold	1
14	F021-D51-01	Wash Motor Connecting Rubber Hose	0.18mtr
15	E018-46X70-01	Hose Clamp	2
16-34	0T2DA-DJB-PJ	Wash Motor & Pump Complete Set	1
16	G002-1.5KW-04	2HP ABB Wash Motor	1
17	A012-60317-01	Coupling	1
18	G003-FJ-06	Pump cover	1
19	G003-FJ-05	Gasket	1
20	G003-FJ-01	O Ring	1
21	G003-FJ-07	Pump Axle	1
22	G003-FJ-02	Pump Seal	1
23	G003-FJ-03	Pump Impeller	1
24	E014-M10-01	Hex Domed Cap Nut	1
25	G003-FJ-08	Pump Shell	1
26	F001-60319-01	Gasket	1
27	E009-M8X30-02	Hex Bolt	4
28	E009-M8X25-01	Hex Bolt	4
29	E010-M5X20-01	Hexagon Socket Screw	1
30	E011-M8-01	Spring Washer	14
31	E012-M8-01	Flat Washer	18
32	E013-M8-01	Hexagonal Nut	18
33	E012-M22XD8-01	Flat Washer	4
34	E011-M5-01	Spring Washer	3
35	0T2DA-60320	Pump Intake Holder	1
36	0T2DA-65304	Pump Intake Screen	1
37	T2D-50301-7A-2	Flow control Dish	1
38	T2D-50301-7A-4	Flow control Lever	1
39	E016-M6-01	Butterfly Nut	1
40	E009-M5X16-01	Hex Bolt	2
41	E012-M5-01	Flat Washer	2

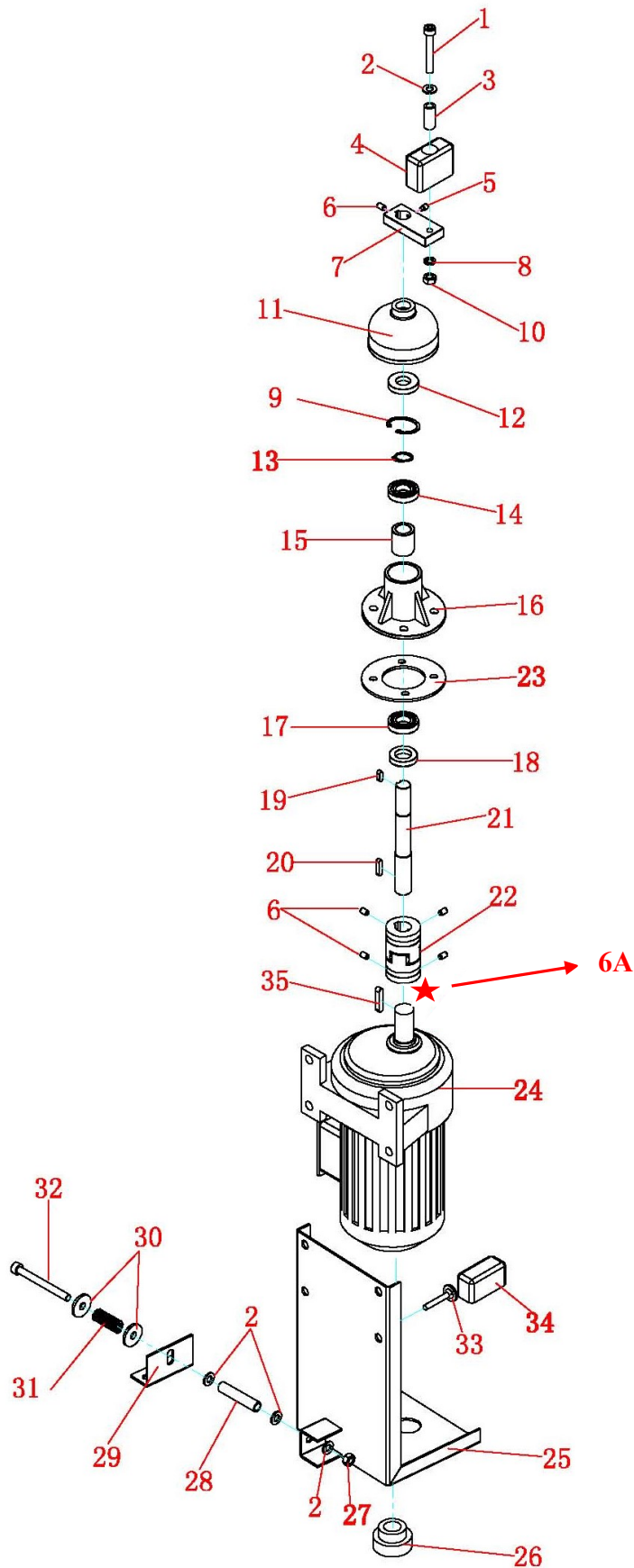
Rinse Arm Assembly



Rinse Arm Assembly

<u>Item No.</u>	<u>Parts No.</u>	<u>Part Name</u>	<u>Qty</u>
1	0T1D-50306L	Rinse Arm Manifold	1
2	F001-50317-01	Rinse Arm Manifold Gasket	1
3	0T2D-50327	Rinse Arm Manifold Clamp	1
4	0T2D-50313	Upper Rinse Arm (Complete Set)	1
5	A012-50311/6-03	S.S Rinse Nozzle	11
6	A012-50335-01	Rinse Arm End Cap	2
7	0T2D-50315	Lower Rinse Arm (Complete Set)	1
8	0T2D-50331	Upper Rinse Arm Holder (A)	1
9	0T1D-50332A	Upper Rinse Arm Holder (B)	1
10	0T1D-50330A(R-L)	Lower Rinse Arm Holder (R-L)	1
10-1	0T1D-50330A(L-R)	Lower Rinse Arm Holder (L-R)	1

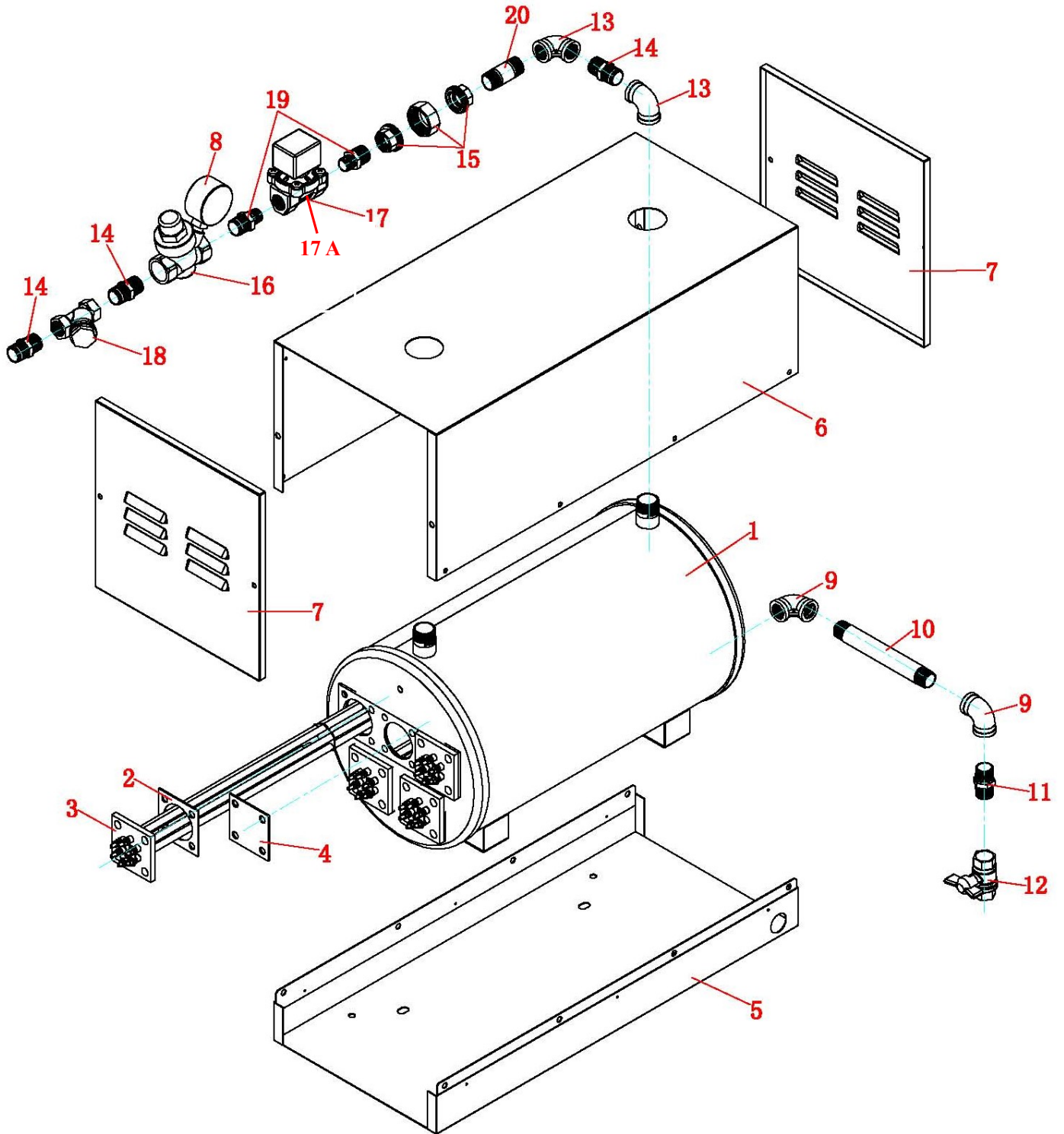
Conveyor Motor Assembly



Rinse Arm Assembly

<u>Item No.</u>	<u>Parts No.</u>	<u>Part Name</u>	<u>Qty</u>
(1-23)	0T1D-CDZZ-PJ	Motor	1
1	E010-M8X55-01	Hex Bolt	1
2	E012-M8-01	Flat Washer	4
3	A012-60306-01	Bush	1
4	F019-60304-01	Guide Block	1
(1-4)	F019-60304-01 comp	Guide Block Complete Set	1
5	E010-M6X10-01	Tight Set Screws (A)	1
6	E004-M6X10-01	Tight Set Screws (B)	5
6A	A012-60308/2-01	Conveyor Driver Rubber Star	1
7	A012-60305-01	Shoulder Pole	1
8	E011-M8-01	Spring Washer	2
9	E019-M35-01	C-Clip	1
10	E013-M8-01	Hexagonal Nut	2
11	F008-60307-01	Semi-circular Rubber Shield	1
12	F009-17/35-01	Oil Seal - 17/35	1
13	E019-M16-01	Jump Ring	1
14	A010-6003DU-01	Bearing	1
15	F014-60303-01	Spacer Bush	1
16	A012-60301	Permanent Seat	1
17	A010-6003DU-01	Bearing	1
18	F009-19/32-01	Oil Seal – 19/32	1
19	E020-5X5X20-01	Flat Key	1
20	E020-5X5X25-01	Flat Key	2
21	A012-60302-01	Transmission Shaft	1
22	A012-60308-01	Coupling	1
23	F001-60309-01	Gasket	1
24	G004-0.2X57S-01	Conveyor Motor	1
25	0T2D-60310	Conveyor Motor Holder	1
26	F025-60315-01	Holder Stand	1
27	E015-M8-01	Jam Nut	1
28	A012-60313-01	Spacer	1
29	0T2D-60311	Support	1
30	E012-M22XD8-01	Compressed Spring Flat Washer	2
31	A002-60312-01	Compressed Spring	1
32	E009-M8X120-02	Hex Bolt	1
33	0T2D-60314	Switch Activating Pole	1
34	G034-N2110P20C-01	Limit Switch	1
35	E020-7X7X35-01	Flat Key	1

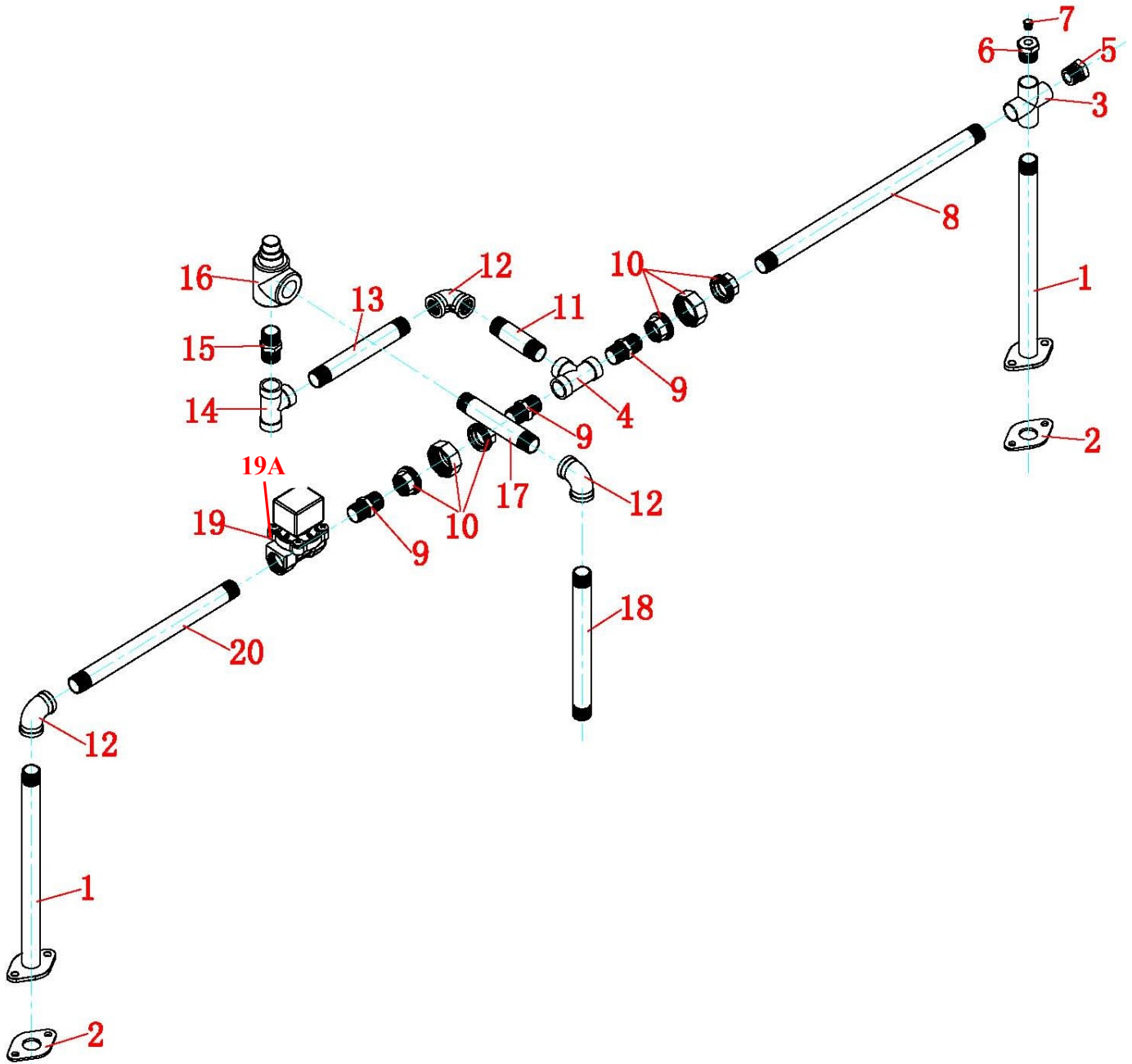
Booster Heater Assembly



Booster Heater Assembly

<u>Item</u>	<u>Parts No.</u>	<u>Part Name</u>	<u>Qty</u>
1	0T1D-40A-301	Booster Tank	1
2	F001-40309-01	9kW Heater Gasket	5
3	G005-9KW-02	9kW Heating Element	4
4	0T2D-40305	S.S Covering Plate	1
5	0T1D-40A-302	Booster Housing Base	1
6	0T1D-40A-303	Booster Cover Housing	1
7	0T1D-40A-304	Side Cover	2
8	D015-1/4-01	Pressure Gage	1
9	D009-1/2-01	½” S.S. Elbow	2
10	D004-1/2X150-01	15cm, ½” S.S. Joint Piping	1
11	D004-1/2-01	½” S.S. Joint	1
12	D018-1/2-01	Booster Drain Valve	1
13	D009-3/4-01	¾” S.S. Elbow	2
14	D004-3/4-01	¾” S.S. Joint	3
15	D014-3/4-01	Coupling Joint	1
	D014-3/4-02		
	D014-3/4-03		
	D014-3/4-04		
16	D017-3/4-01	Pressure Regulator	1
17	G017-110VX1/2-01	½” ASCO Solenoid Valve 110v	1
17A	G017-7321BAV00-02	½” PARKER solenoid Valve 110v	1
18	D016-3/4-01	Strainer	1
19	D010-1/2X3/4-01	¾ x ½” Reducer Union	2
20	D004-3/4X60-01	¾” S.S. Joint	1

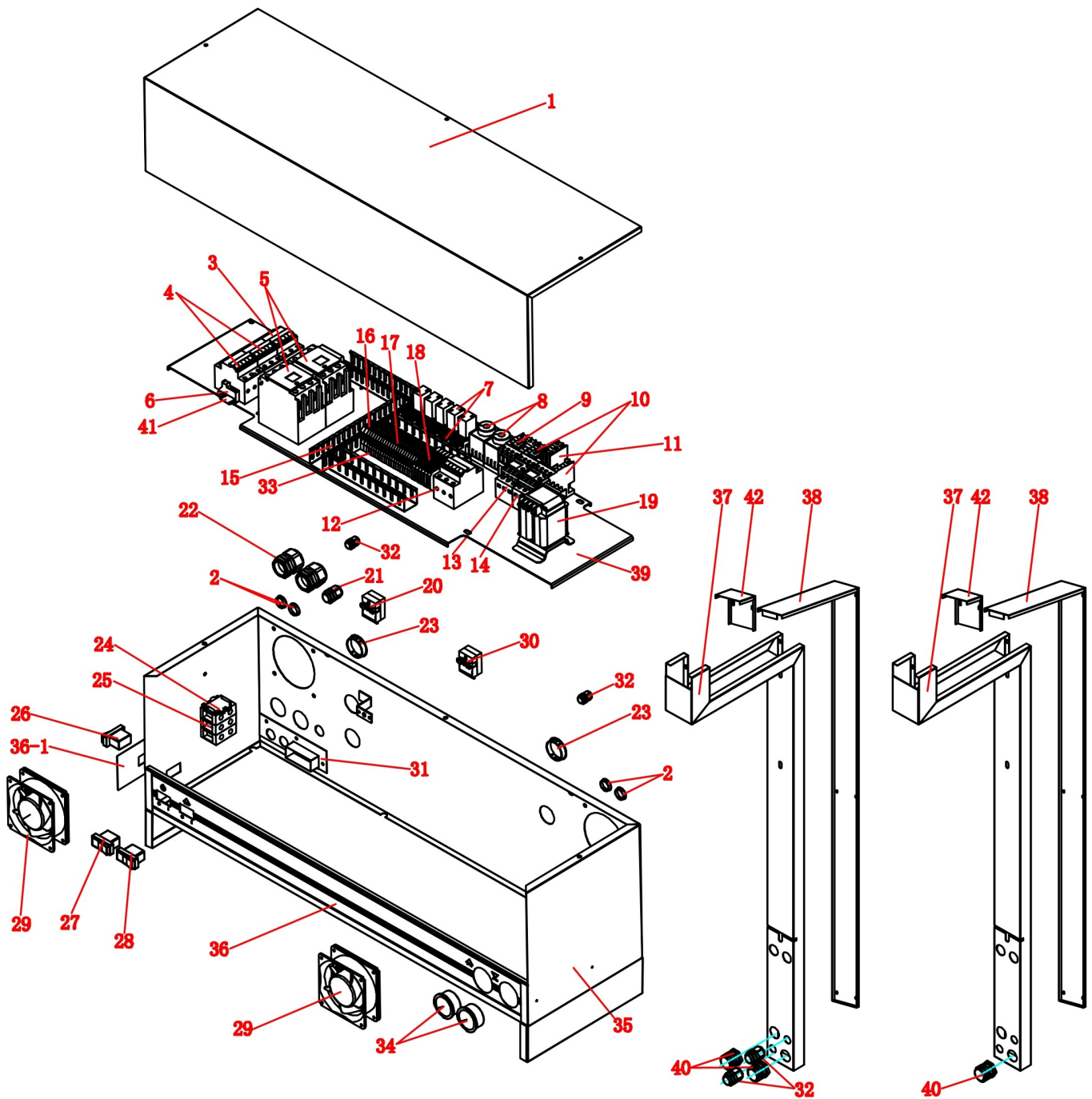
Fill Piping Assembly



Fill Piping Assembly

<u>Item</u>	<u>Parts No.</u>	<u>Part Name</u>	<u>Qty</u>
1	0T1D-50312	Stand Piping	2
2	F001-50317-01	Gasket	2
3	D007-1/2-01	½” S.S. Cross Joint	1
4	D006-1/2-01	½” S.S. Tee Joint	1
5	A012-50311/1A-01	S.S Temp. Gauge Probe Bushing	1
6	D011-1/8X1/2-01	Rinse Aid Injection Bushing	1
7	D026-1/8-01	Plug for Item 6	1
8	D004-1/2x402-01	402mm, ½” S.S. Joint Piping	1
9	D004-1/2-01	½” S.S. Joint	3
10	D014-1/2-01	Coupling Joint	2
	D014-1/2-02		
	D014-1/2-03		
	D014-1/2-04		
11	D004-1/2X70-01	7cm, ½” S.S. Joint Piping	1
12	D009-1/2-01	½” S.S. Elbow	3
13	D004-1/2x150-01	15cm, ½” S.S. Joint Piping	1
14	D006-1/2X3/4-01	¾x½” S.S. Tee Joint	1
15	D010-1/2X3/4-01	½” S.S. Joint	1
16	D023-3BAR-01	Pressure Relief Valve	1
17	D004-1/2x135-01	13.5cm, ½” S.S. Joint Piping	1
18	D004-1/2x390-01	39cm, ¾x½” S.S. Joint	1
19	G017-110VX1/2-01	½” ASCO Solenoid Valve 110v	1
19A	G017-7321BAV00-02	½” PARKER Solenoid Valve 110v	1
20	D004-1/2x310-01	31cm, ½” S.S. Joint Piping	1

Electrical Control Panel



<u>Item No.</u>	<u>Parts No.</u>	<u>Part Name</u>	<u>Qty</u>
1	0T1D-70A-302-1	Control Panel Cover	1
2	F024-D22-01	Hole Plug	4
3	G009-D20A-02	20A Circuit Breaker (wash tank heater)	1
4	G009-D40A-04	40A Circuit Breaker (booster heaters)	2
5	G007-E40F5N-01	Booster Heater Contactor	2

6	G042-2G2-01	Track Holder	10
7	G012-F7-01	Relay 110V	5
	G028-RXZE1M4C-01	Relay Base	5
8	G011-60S/AC110V-01	60 Sec Timer 110V	2
9	G007-E2501F5N-01	Tank Heater Contactor 11 kW 32A	1
10	G007-E0610F5N-01	Wash & Conveyor Motor Contactor 4 kW	2
11	G027-LAEN11N-01	Auxiliary Contact Module	1
12	G009-D6A-02	6A Circuit Breaker (machine)	1
13	G010-10N-02	Wash Pump Over-Load 4-6A	1
14	G010-05N-02	Conveyor Motor Over-Load 0.63A-1A	1
15	G044-XC-01	Cable Trunk	1.6
16	G041-6JD-01	Cable Terminal	2
17	G041-4-01	Cable Terminal	26
18	G041-4RD-01	Fuses Terminal	6
19	G016-250V-01	Step Down Transformer	1
20	G021-110C-01	Thermostat 110° C (Overload)	1
21	G029-PG11-01	11mm Conduit	3
22	G029-PG29/2-01	29mm Conduit	2
23	F024-D38-01	Control Panel Hole Plug	2
24	G041-35JD-01	Main Incoming Wiring Terminal	1
25	G041-100N-01	Main Incoming Earth Wiring Terminal	3
26	G034-CD-04	Manual / Auto Switch	1
27	G034-CD-03	Machine On / Off Switch	1
28	G034-CD-01	Machine Start Switch	1
29	G025-BALL-01	Exhaust Fan	2
30	G021-86C-01	Thermostat 86° C (rinse temp)	1
31	0T2D-70304L	S.S. Wiring Trunk Inlet (Left)	1
	0T2D-70304R	S.S. Wiring Trunk Inlet (Right)	1
32	G029-PG9-01	9mm Conduit	4
33	G032-G/DUK-01	The Protective Plate	3
34	G026-5040-02	Temperature Gauge	2
35	0T1D-70B-301SG	Control Panel Housing	1
36	G031-CD-01	Panel Sticker / Face Plate	1
36-1	G031-C-01	Machine Name Plate	1
37	0T1D-85A-301SG	S.S. Cable Trunk	2
38	0T1D-85A-302SG	S.S. Cable Trunk Cover	2
39	0T1D-70B-301-2	Electrical Components Board	1
40	G030-PG16-01	Conduit	3
41	D047-DG-01	Guide Rail	1.2
42	0T2D-85302SG	Wire Trunk Lid	2