

Door Type  
Dish Washer  
Model  
D1M/HR

# Global-Tek Machinery Pte Ltd

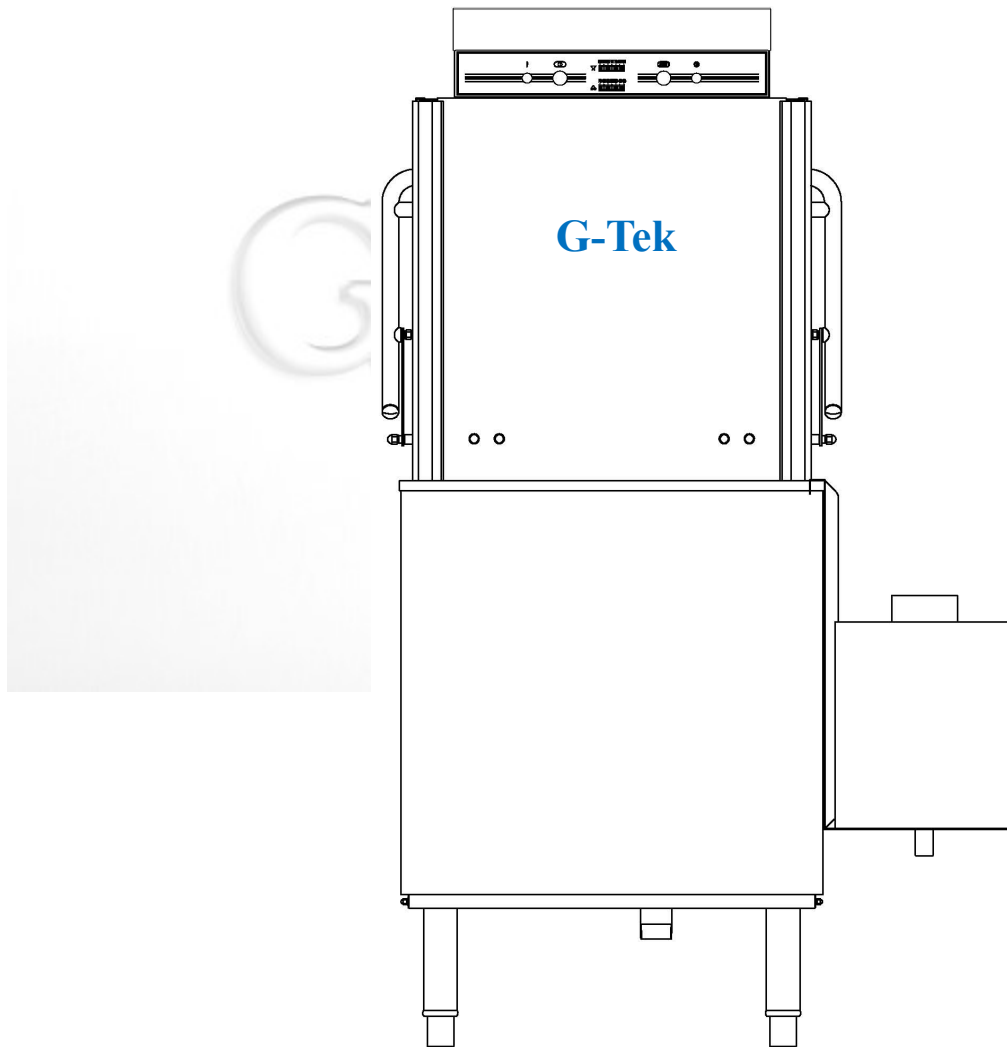
---

---

**Model: GT-D1M-HR**

---

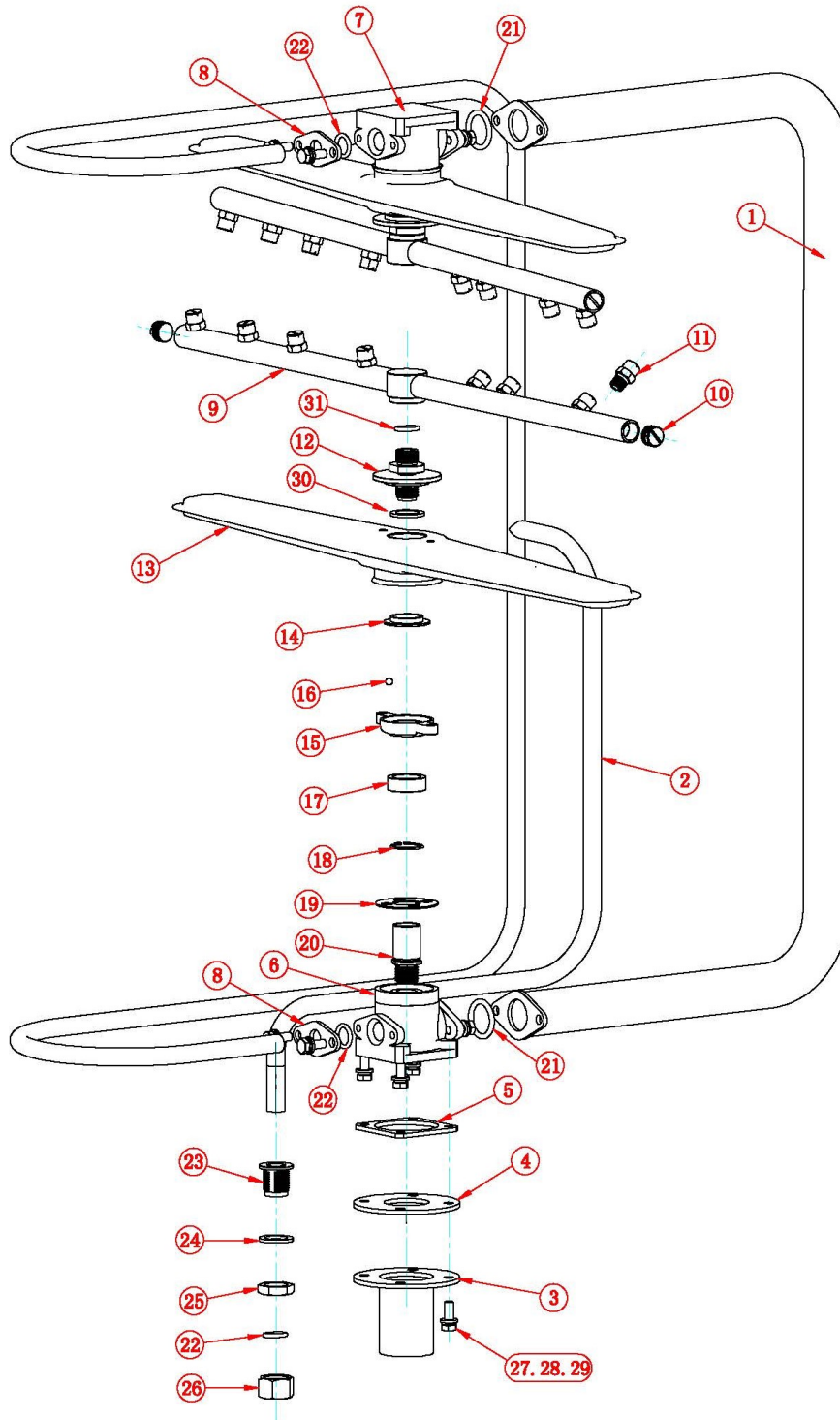
## **Heat Recovery Door Type Dish Washer**



## **CONTENTS**

➤ Wash and Rinse Arm Assembly.....	3-4
➤ Booster Heater.....	5-6
➤ Wash Chamber .....	7-8
➤ Door Lift Assembly.....	9-10
➤ Lower Frame Assembly.....	11-12
➤ Wash Chamber & Lower Frame Assembly.....	13
➤ Wash Tank Assembly.....	14-16
➤ Door Panel Assembly.....	17-18
➤ Top Mounted Control Panel.....	19
➤ Mechanical Control Panel.....	20-21

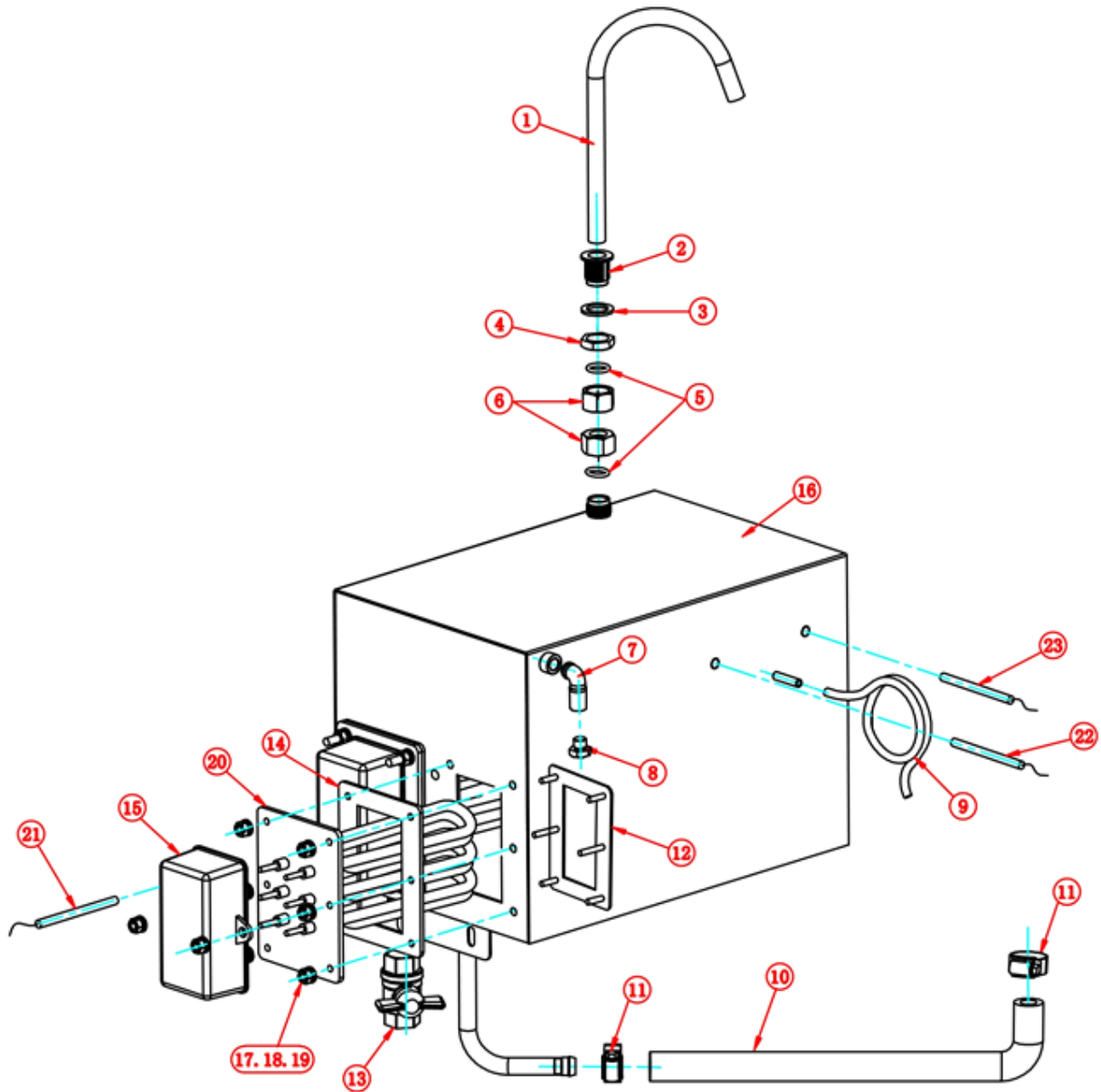
## Wash & Rinse Arm Assembly



## Wash & Rinse Arm Assembly

<u>Item No.</u>	<u>Parts No.</u>	<u>Part Name</u>	<u>Qty</u>
1	OJD-50301	Wash Piping Assy	1
2	OJD-50302	Rinse Piping Assy	1
3	OJD-50306	Adapter Connector	1
4	F001-50319-01	Lower Manifold Gasket (Round)	1
5	F001-50308B-01	Lower Manifold Gasket (Square)	1
6	A012-50305/1A-01	S/S Lower Manifold	1
7	A012-50305/2A-01	S/S Upper Manifold	1
8	OJD-50302-3A	Flange	2
(9-12)	0PJ-JD-PLB	Rinse Arm Complete Set	1
9	OJD-50311	Rinse Arm only w/o nozzle & end cap	2
10	A012-50311/5A-01	Rinse Arm End Cap	4
11	A012-50311/6-03	S/S Rinse Nozzle	16
(12-15)	0PJ-JD-PB	Wash Arm Complete Set	1
12	OJD-50311-7	Bearing (Btw Wash & Rinse Arm)	2
13	OJD-50310	Wash Arm Only	2
14	A012-50310/2-01	Bearing Retainer	2
15	A012-50310-01	Bearing Body	2
16	A007-D5-01	Ball Bearing (total: 17pcs)	34
17	F017-50309-01	Spacer	1
18	E019-M18-01	Spring Washer	1
19	OJD-50307	Flow Restrictor	1
20	A012-50304/2-01	S/S Rinse Arm Thread Bushing	2
21	F002-21.2x3.55-01	Rinse Manifold O Ring (Rear)	2
22	F002-12.5x2.65-01	Rinse Manifold O Ring (Front)	3
23	A012-50312-01	Bushing	1
24	F017-2xD18xD25-01	Gasket	1
25	A012-50313-01	Nut	1
26	A012-50314-01	Coupling	1
27	E010-M6x20-01	Bolt M6x20	12
28	E011-M6-01	Spring Washer	12
29	E012-M6-01	Flat Washer	12
30	F001-50320-01	Gasket	2
31	F002-20x1.8-01	O Ring	2

## Booster Heater

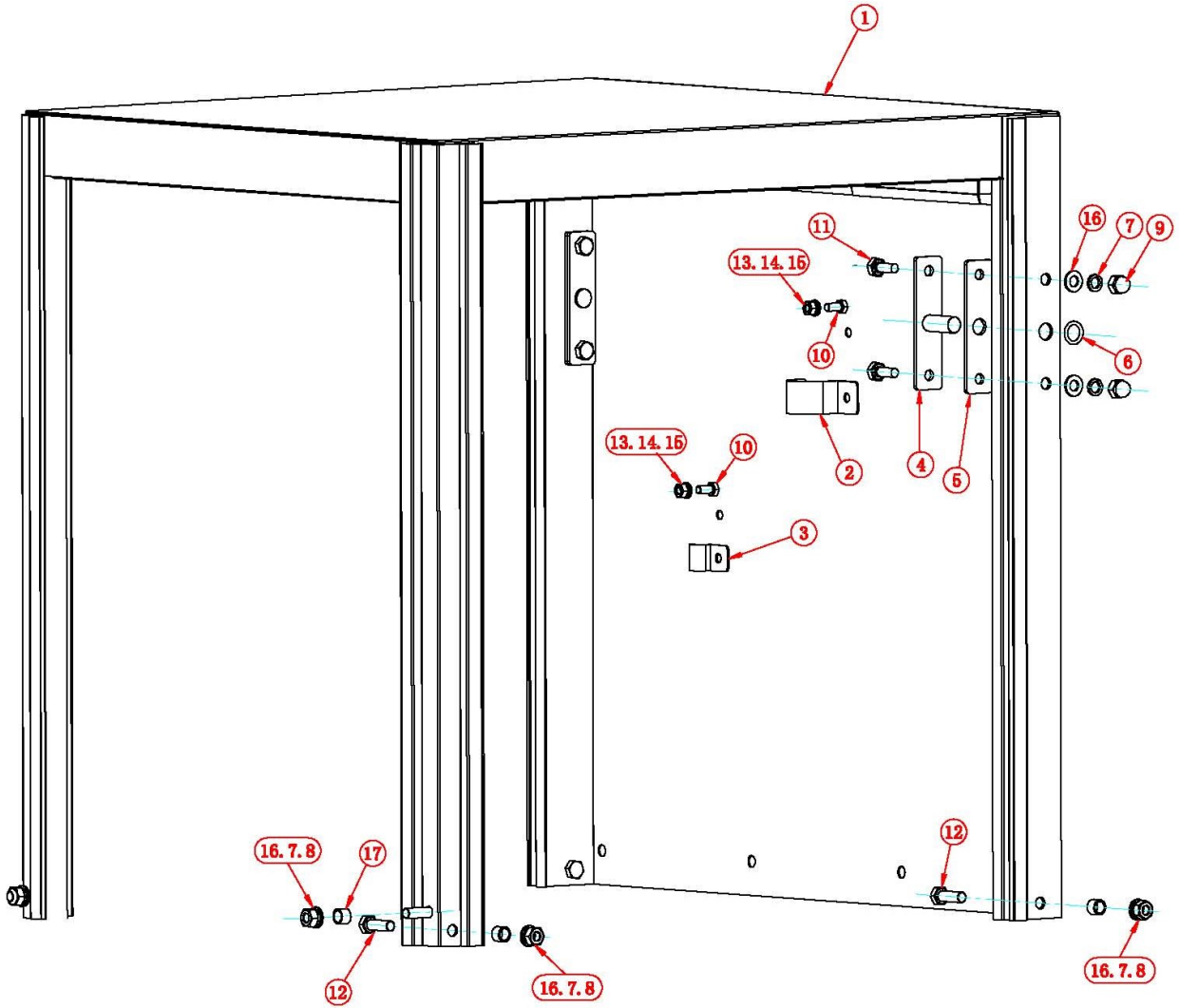


## Booster Heater

<u>Item No.</u>	<u>Parts No.</u>	<u>Part Name</u>	<u>Qty</u>
1	0JD-50303	Booster Pressure Release Tube	1
2	A012-50312-01	Bushing	1
3	F017-2xD18xD25-01	Washer	1
4	A012-50313-01	Nut	1
5	F002-12.5x2.65-01	O Ring	2
6	A012-50314-01	Nut Sealed	2
7	0JD-40301-17	¼” Rinse Aid Elbow	1
8	D026-1/8-01	Hole Plug	1
9	F022-D8x4-01	Silicone Tube	1
9A	Booster Tank Thermo Sensor	Booster Thermo Sensor	1
10	F021-50310/3A-01	Pump Outlet Rubber Hose	1
11	E018-11x25-01	Hose Clamp S.S.	2
12	0JD-65332	Wash Tank Heater Flange	2
13	D018-1/2 -01	Drain Valve	1
14	F001-40304-01	Gasket	2
15	F016-40305-01	Plastic Heater Cover	2
16	0JD-40301	Booster Tank	1
17	E013-M5-02	Nut M5	16
18	E011-M5-01	Lock Washer M5	16
19	E012-M5-01	Flat Washer M5	16
20	G005-1kW-01	1kW 220v Booster Heater	2
21	A012-40301-13	Rinse Aid Connector	1

- Add item (7) & (12) when customer place order for item (16).

## Wash Chamber



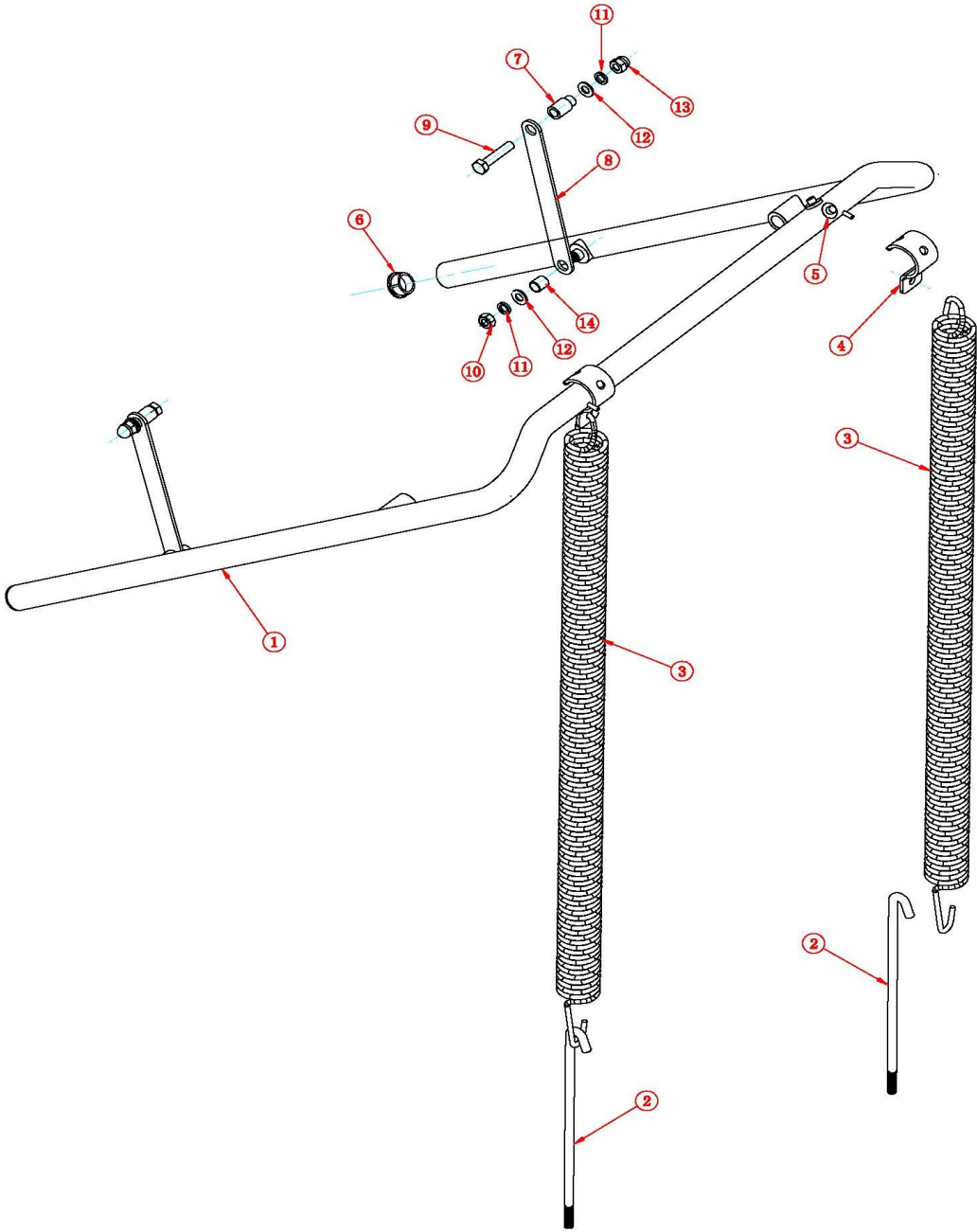
## Wash Chamber

<u>Item No.</u>	<u>Parts No.</u>	<u>Part Name</u>	<u>Qty</u>
1	0JD-20000A	Upper Hood	1
2	0JD-65317	Clip	1
3	0JD-65318	Clip	1
4	0JD-25307	Handle Pivot	2
5	F001-25311-01	Sealing Gasket	2
6	E012-M12-01	Washer	2
7	E011-M8-01	Split Washer M8	8
8	E013-M8-01	Bolt M8	6
9	E014-M8-01	Hex Domed Cap Nut M8	4
10	E009-M6x16-01	Bolt M6x16	2
11	E009-M8x20-01	Bolt M8x20	4
12	E009-M8x25-01	Bolt M8x25	6
13	E013-M6-01	Nut M6	2
14	E011-M6-01	Lock Washer M6	2
15	E012-M6-01	Flat Washer M6	2
16	E012-M8-01	Flat Washer M8	10
17	A012-65313A-01	Bushing	6



Door Type  
Dish Washer  
Model  
D1M/HR

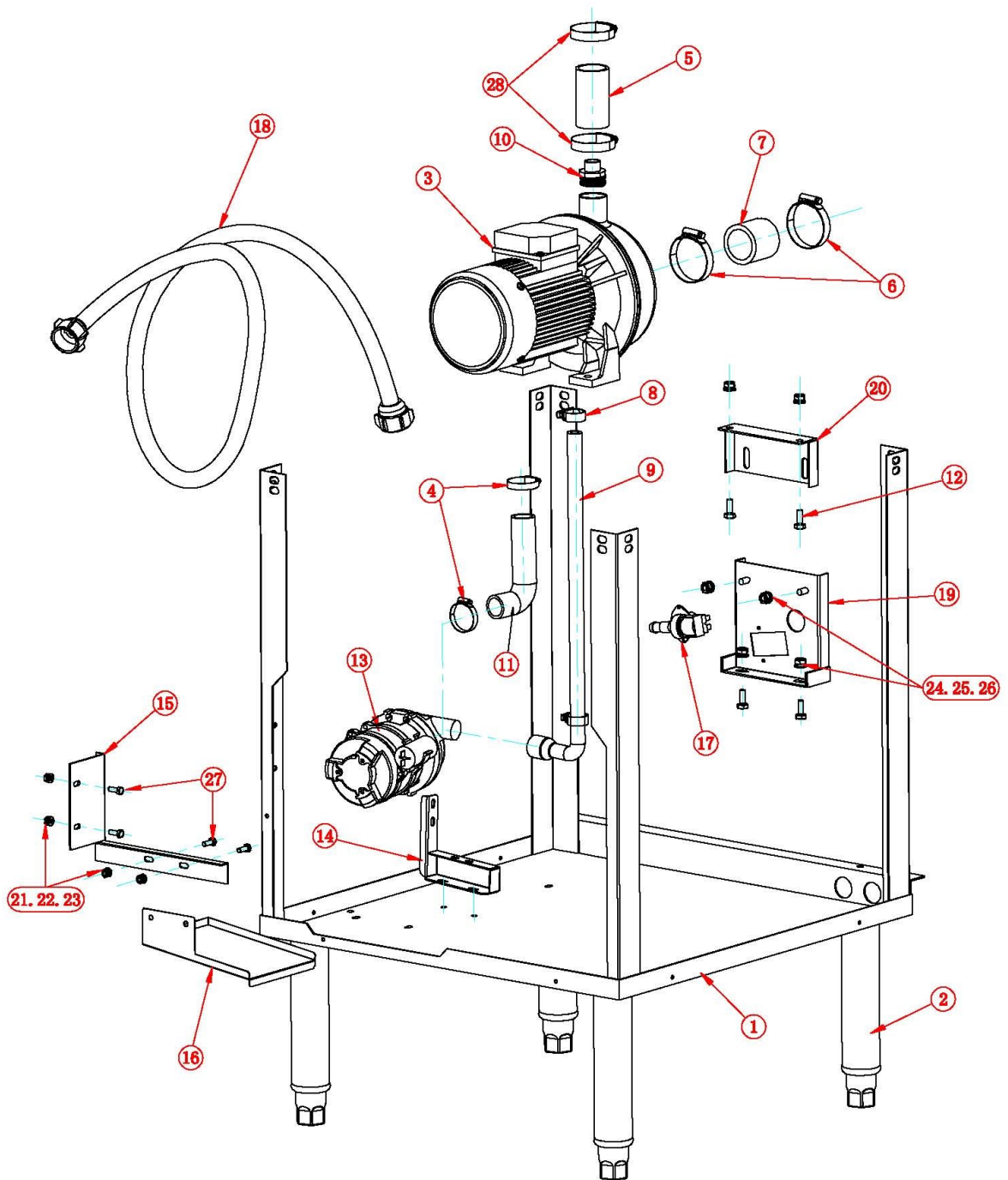
**Door Lift Assembly**



## Door Lift Assembly

<u>Item No.</u>	<u>Parts No.</u>	<u>Part Name</u>	<u>Qty</u>
1	0JD-25301	Handle	1
2	0JD-25303	Spring Hook	2
3	A002-25309-01	Door Spring	2
4	0JD-25302	Spring Hanger	2
5	F025-25308-01	Nylon Button For Door Spring Hanger	4
6	F005-D25-01	Handle Cap	2
7	A012-25306-01	Door Pivot	2
8	0JD-25304B	Door Link	2
9	E009-M8x40-01	Bolt M8x40	6
10	E013-M8-01	Nut M8	2
11	E011-M8-01	Lock Washer M8	4
12	E012-M8-01	Flat Washer M8	4
13	E014-M8-01	Cap Nut M8	2
14	A012-25305-01	Spacer	2

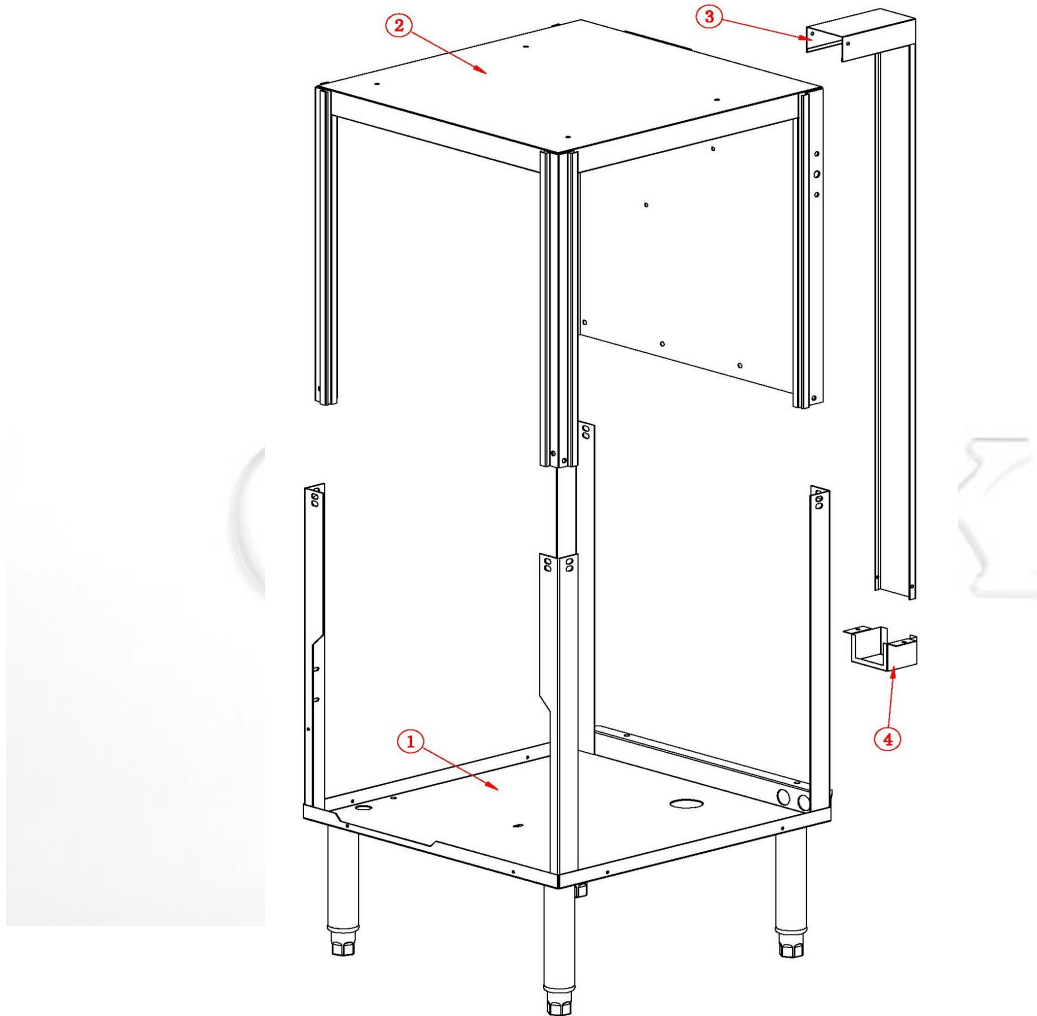
## Wash & Rinse Pumps Assembly



## Wash & Rinse Pumps Assembly

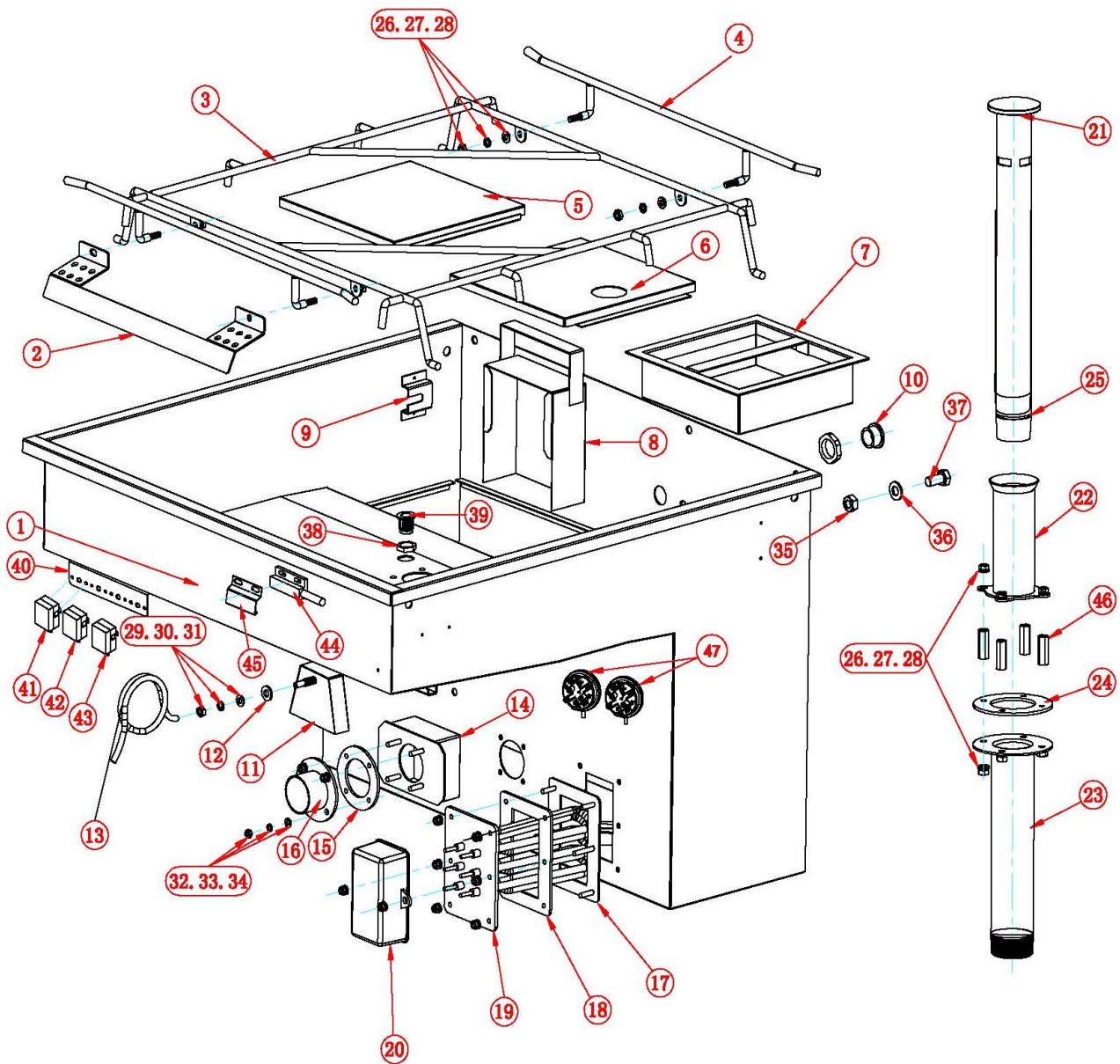
<u>Item No.</u>	<u>Parts No.</u>	<u>Part Name</u>	<u>Qty</u>	
1	0JD-10000A	Base	1	
2	A003-10307A-01	Extendable Leg	4	
3	G003-120/090-01	Wash Motor with Pump	1	
4	E018-18X38-01	Hose Clamp	3	
5	F021-D38-01	Wash Pump Hose (In) Ø38mm x 80mm	1	
6	E018-46X70-01	Hose Clamp	2	
7	F021-D51-01	Wash Pump Hose (Out) Ø51mm x 60mm	1	
8	E018-11X25-01	Hose Clamp	1	
9	F021-50310/3B-01	Rinse Pump Hose (Out)	1	
10	0JD-60313	Hose Adapter	1	
11	F021-50309/3A-01	Rinse Pump Hose (In)	1	
12	E009-M8x20-01	Bolt M8x 20	6	
13	G003-LGB/50HZ-02	LGB Rinse Pump 0.25kw (220/50/1)	1	
14	0JD-60308A	Rinse Motor Bracket (for LGB rinse pump)	1	
15	0JD-40308	Rinse Motor Bracket (for blue color rinse pump)	1	
16	0JD-40309	Drip Retainer	1	
17	G017-65420/220V-01	Solenoid valve	1	
18	D024-3/4*2M-01	S/S Water Inlet Hose	1	
19	0JD-60301-1	Wash Motor Stand	1	
20	0JD-60302	Wash Motor Bracket	1	
21	E013-M6 -01	Nut M6	6	
22	E011-M6-01	Lock Washer M6	6	
23	E012-M6-01	Flat Washer M6	6	
24	E013-M8-01	Nut M8	4	
25	E011-M8-01	Lock Washer M8	4	
26	E012-M8-01	Flat Washer M8	4	
27	E009-M6x16-01	Bolt M6x 16	4	
28	E018-32x57-01	Hose Clamp	2	

## Wash Chamber & Lower Frame Assembly



<b><u>Item No.</u></b>	<b><u>Parts No.</u></b>	<b><u>Part Name</u></b>	<b><u>Qty</u></b>
1	0JD-10000A	Base (SG)	1
2	0JD-20000A	Upper Hood	1
3	0JD-70B-306	Cable Trunk	1
4	0JD-70B-307	Trunk Elbow	1

## Wash Tank Assembly



## Wash Tank Assembly

<u>Item</u>	<u>Parts No.</u>	<u>Part Name</u>	<u>Qty</u>
1	0JD-10301	Wash Tank	1
2	0JD-30303-7	Splash Restrictor	1
3	0JD-30301	Rack Holder (Complete)	1
4	0JD-30301-5	Side Rail	2
5	0JD-65303-1	Scrap Tray - Left	1
6	0JD-65302-1	Scrap Tray - Right	1
7	0JD-65301	Scrap Tray Basket	1
8	0JD-65304	Pump Intake Screen	1
9	0JD-10301-6	Rack Holder Bracket	4
10	F005-M22-01	Hole Plug	2
11	0JD-65309	Air Chamber	1
12	F017-2xD8xD16-01	Air Chamber Gasket	1
13	F022-D8X4-01	Silicon Tube	1
14	0JD-60306A	Pump Intake Screen Holder	1
15	F001-60307A-01	Wash Pump Inlet Gasket	1
16	0JD-60305A	Wash Pump Inlet Flange	1
17	0JD-65332	Wash Tank Heater Flange	1
18	F001-40304-01	Heater Gasket	1
19	G005-2KW-01	Wash Tank 2kW Heating Element	1
20	F016-40305-01	Plastic Heater Cover	1
21	0JD-65305	S.S. Drain / Overflow Pipe	1
22	0JD-65350	Drain / Overflow Pipe Guider	1
23	0JD-65306A	Drain / Overflow Pipe Adaptor	1
24	F001-65307A-01	Drain Pipe Adaptor Gasket	1
25	F002-28.5X2.65-01	O-Ring	1
26	E013-M6-01	Nut M6	12
27	E011-M6-01	Lock Washer M6	12
28	E012-M6-01	Flat Washer M6	12
29	E013-M8-01	Nut M8	1

## Door Type Dish Washer, Model: D1M/HR

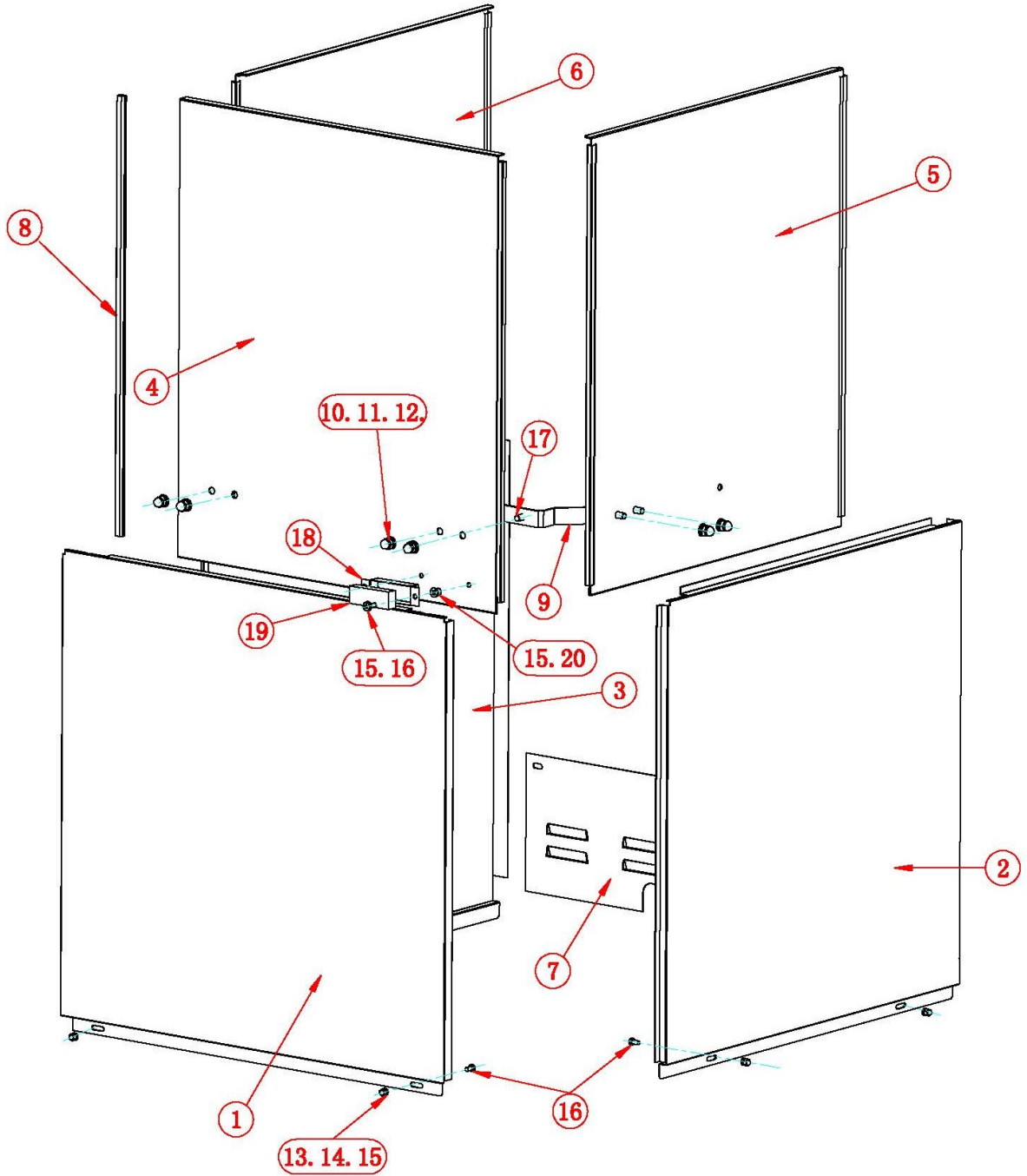
Door Type  
Dish Washer  
Model  
D1M/HR

30	E011-M8-01	Lock Washer M8	1	
----	------------	----------------	---	--

<u>Item</u>	<u>Parts No.</u>	<u>Part Name</u>	<u>Qty</u>	
31	E012-M8-01	Flat Washer M8	1	
32	E013-M5-01	Nut M5	12	
33	E011-M5-01	Lock Washer M5	12	
34	E012-M5-01	Flat Washer M5	12	
35	E013-M10-01	Nut M10	1	
36	E012-M10-01	Flat Washer	1	
37	E009-M10x20-01	Hex Bolt M10 x 20	1	
38	A012-50312-01	Screw-Sealed (B Type)	2	
39	A012-50313-01	Bushing	2	
40	0JD-10301-8	Thermostat Bracket	1	
41	G021-82C-01	Wash Tank Thermostat 82°C	1	
42	G021-100C-01	Booster Tank Thermostat 100°C	1	
43	G021-110C-01	Booster Tank Overload Thermostat 110°C	1	
44	0JD-65998A	Magnet Switch	1	
45	0JD-65340	Door Magnetic Bracket	1	
46	A012-65350/3	Drain Guider Stand	4	
47	G019-B211-313-01	Pressure Switch (one each for wash tank & rinse booster tank)	2	



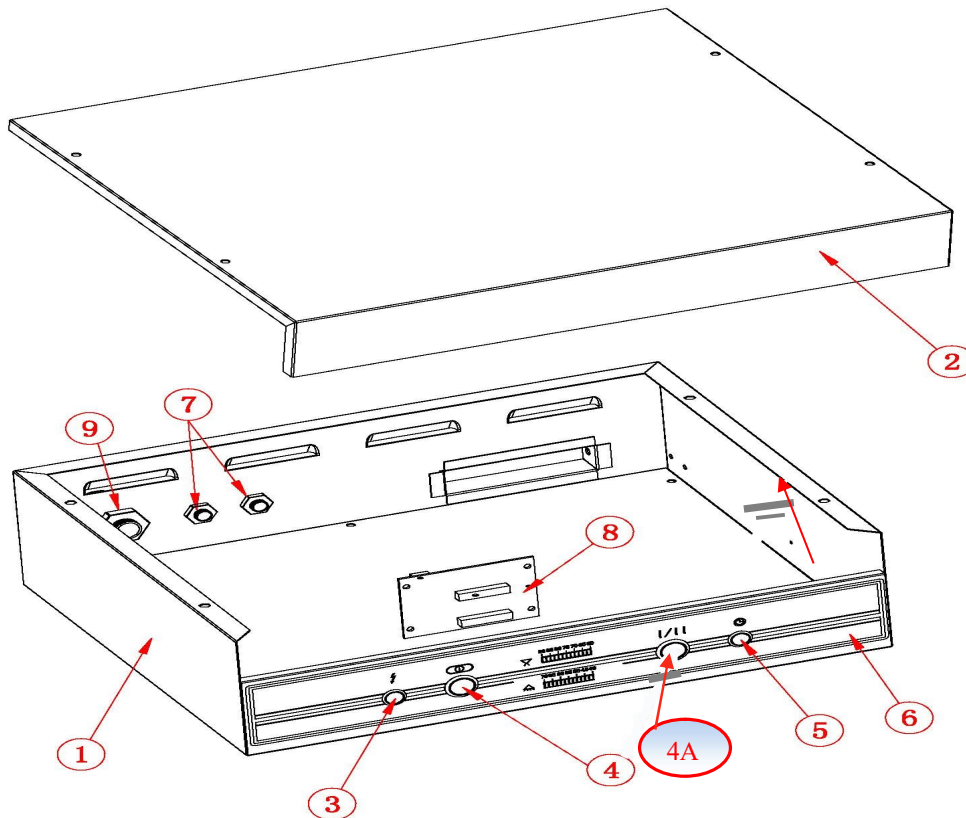
## Door Panel Assembly



## Door Panel Assembly

<u>Item No.</u>	<u>Parts No.</u>	<u>Part Name</u>	<u>Qty</u>
1	0JD-65320B	Lower Front Panel	1
2	0JD-65321B	Lower Side Panel (R)	1
3	0JD-65322	Lower Side Panel (L)	1
4	0JD-65323	Front Door	1
5	0JD-65324	Side Door (R)	1
6	0JD-65325	Side Door (L)	1
7	0JD-65B-327A	Lower Rear Panel	1
8	F003-65326-01	Door Guide	6
9	0JD-65316	Door Lift Bracket	2
10	E014-M8-01	Cap Nut M8	8
11	E011-M8-01	Lock Washer M8	8
12	E012-M8-01	Flat Washer M8	8
13	E013-M5-01	Cap Nut M5	6
14	E011-M5-01	Lock Washer M5	6
15	E012-M5-01	Flat Washer M5	6
16	E009-M5x10-01	Bolt M5x10	6
17	E009-M8x20-01	Bolt M8x16	8
18	0T2D-65318-8	Magnet Housing	1
19	A005-10X17X51-01	Magnet	1
20	E015-M5-01	Lock nut M5	2

## Top Mounted Control Panel



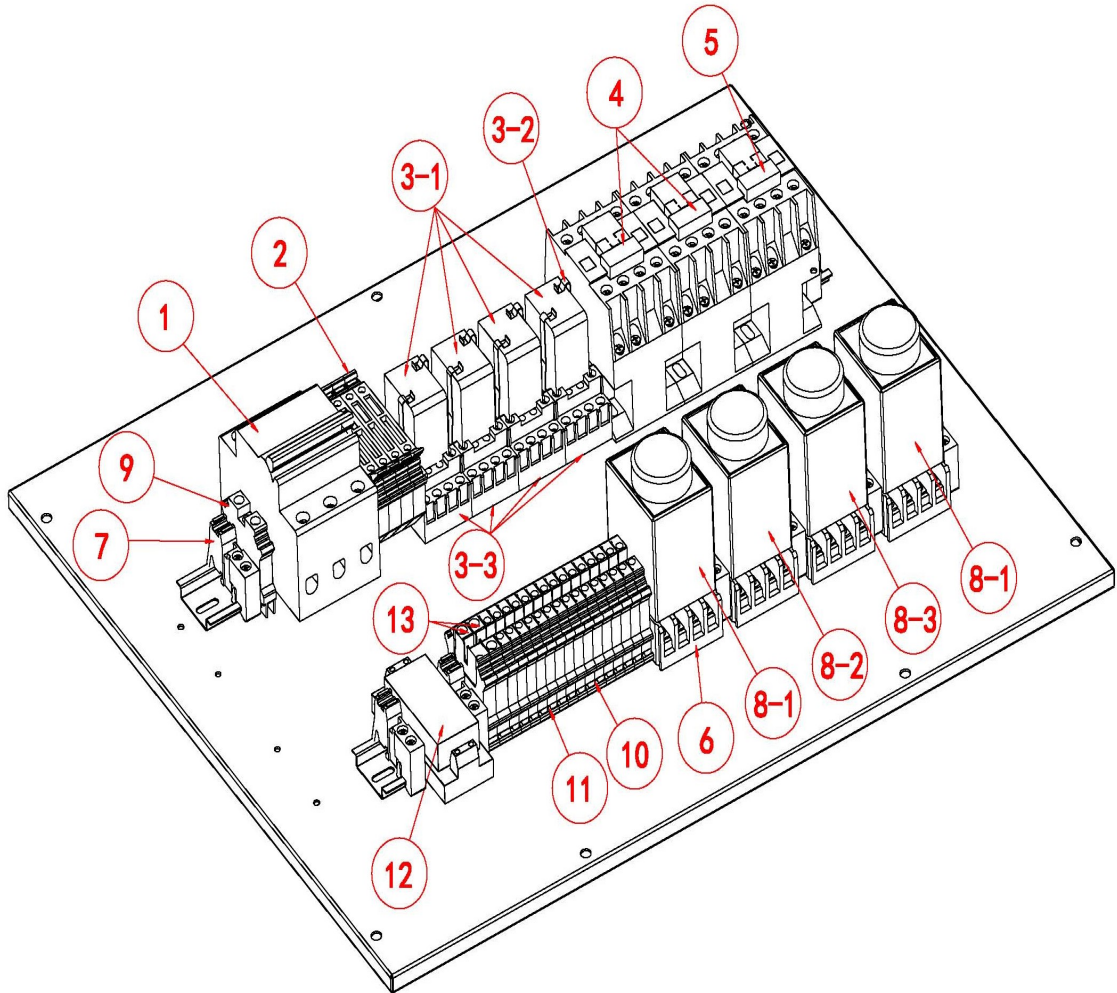
<u>Item No.</u>	<u>Parts No.</u>	<u>Part Name</u>	<u>Qty</u>
1	0JD-70C-301C	Control Panel Housing	1
2	0JD-70C-302	Control Panel Cover	1
3	G035-E/5V-01	S.S. Standby Light (Yellow)	1
4	G036-11Z-01	Machine On / Off Button	1
4A	G036-11Z-01	Cycle Selector	1
5	G035-E/5V-02	S.S Cycle Light (Green)	1
6	G031-Champion-01	Panel Sticker	1
7	G029-PG9-01	Conduit	2

# Door Type Dish Washer, Model: D1M/HR

Door Type  
Dish Washer  
Model  
D1M/HR

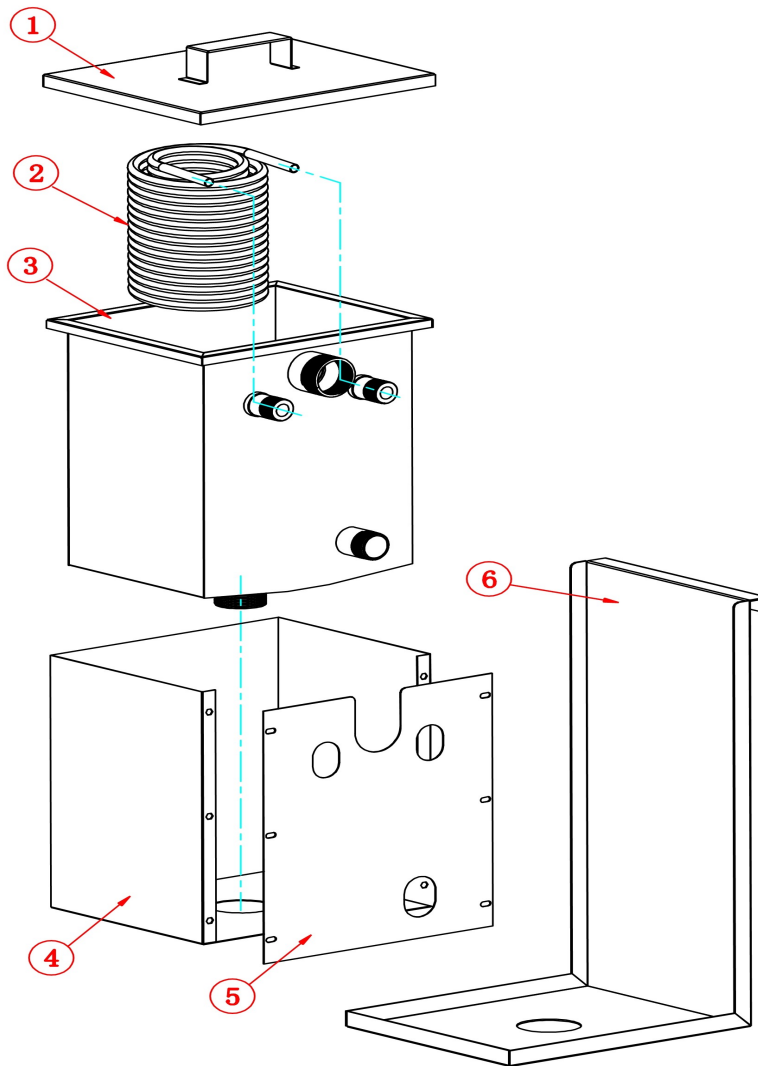
G014-1020-01	Temperature Display Gauge	1	
G029-PG13*5-01	Conduit	1	

## Mechanical Control Panel



## Mechanical Control Panel

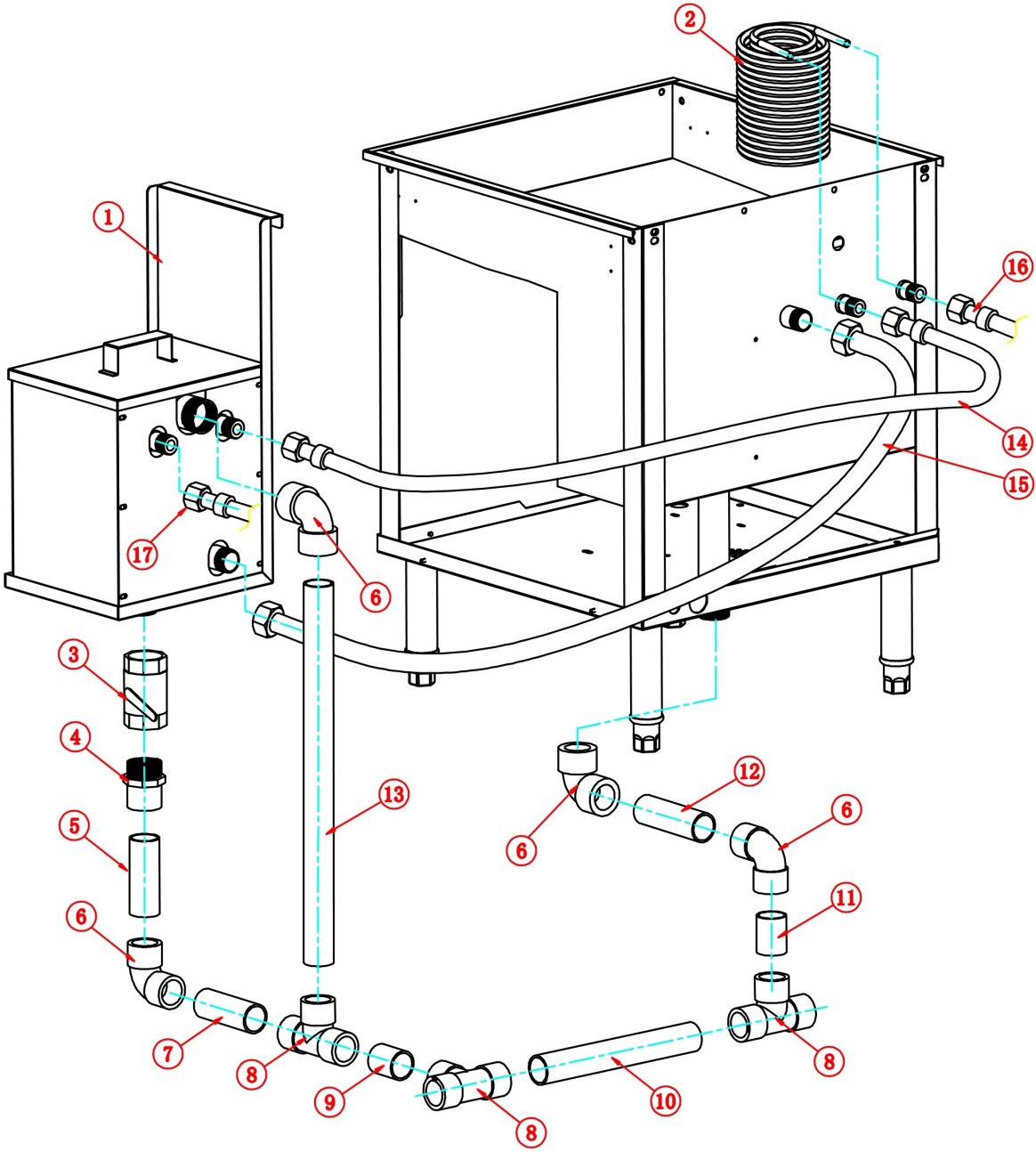
<u>Item No.</u>	<u>Parts No.</u>	<u>Part Name</u>	<u>Qty</u>	
1	G009-D20A-01	Circuit Breaker D20 (For LE)	1	
2	G041-4RD-01	Fuse Terminal	4	
3-1	G012-P7-02	Relay 220V	4	
3-2	G012-RXZ410-01	Relay fixed buckle	8	
3-3	G028-RXZE1M4C-01	Relay Base	4	
4	G008-E0901M5N-01	Booster & wash Tank Heater Contactor	2	
5	G008-E0610M5N-01	Wash Motor Contactor	1	
6	G028-RXZE2S114M-01	Timer Base	4	
7	G042-2G2-01	Wiring Terminal	8	
8-1	G011-180S/ AC220V-01	Timer 180S, 220V	2	
8-2	G011-30S/ AC220V-01	Timer 30S, 220V	1	
8-3	G011-10S /AC220V-01	Timer 10S, 220V	1	
9	G041-6JD-01	Wiring Terminal	1	
10	G041-4-01	Wiring Terminal	18	
11	G032-G/DUK-01	Protection Plate	1	
12	G024-220V/5V-03	Inverter (220v to 5v)	1	
13	G041-6-02	Wiring Terminal	2	



<u>Item No.</u>	<u>Parts No.</u>	<u>Part Name</u>	<u>Qty</u>	
1	OJD-15-1-06	Cap	1	
2	G006-15-PG-01	Primary Heat exchange coil	1	
3	OJD-15-01	Water tank	1	
4	OJD-15-01-04	Panel	1	

# Door Type Dish Washer, Model: D1M/HR

Door Type	OJD-15-01-05	Front panel	1	
Dish Washer Model	OJD-15-02-01	Hanging board	1	



<u>Item No.</u>	<u>Parts No.</u>	<u>Part Name</u>	<u>Qty</u>	
1	OJD-15-00	External heat recovery tank	1	
2	G006-15-PG-01	Secondary Heat exchange coil	1	
3	G022-1.5"	Drain Valve	1	
4	1.5" (PPR)	Union joint 1.5"	1	
5	1.5" (PPR)	Plastic piping 1.5:X170mm	1	
6	1.5" (PPR)	1.5"S.S. Elbow	4	
7	1.5" (PPR)	Plastic piping 1.5:X120mm	1	
8	1.5" (PPR)	Tee 1.5"	2	
9	1.5" (PPR)	Plastic piping 1.5:X90mm	1	
10	1.5" (PPR)	Plastic piping 1.5:X340mm	1	
11	1.5" (PPR)	Plastic piping 1.5:X60mm	1	
12	1.5" (PPR)	Plastic piping 1.5:X190mm	1	
13	1.5" (PPR)	Plastic piping 1.5:X530mm	1	
14	D024-3/4"X850-01	Connection between primary & secondary heat exchange coils (3/4X850mm)	1	
15	D024-1"X700-01	Overflow from wash tank to external Tank (1"X700mm)	1	
16	D024-3/4"X600-01	Connect to solenoid valve (3/4"X600mm)	1	
17	D024-3/4X2000-01	Incoming tap water(3/4"X2000mm)	1	