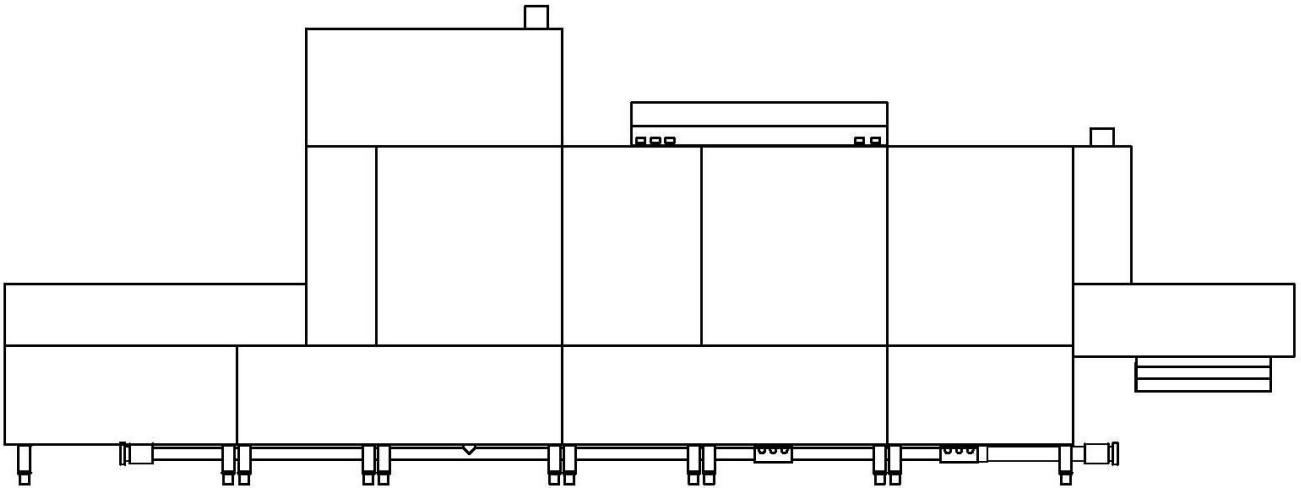


Standard Flight Type Dish Washer Model: GT-FTC



Standard Flight Type Dish Washer, Model: GT-FTC

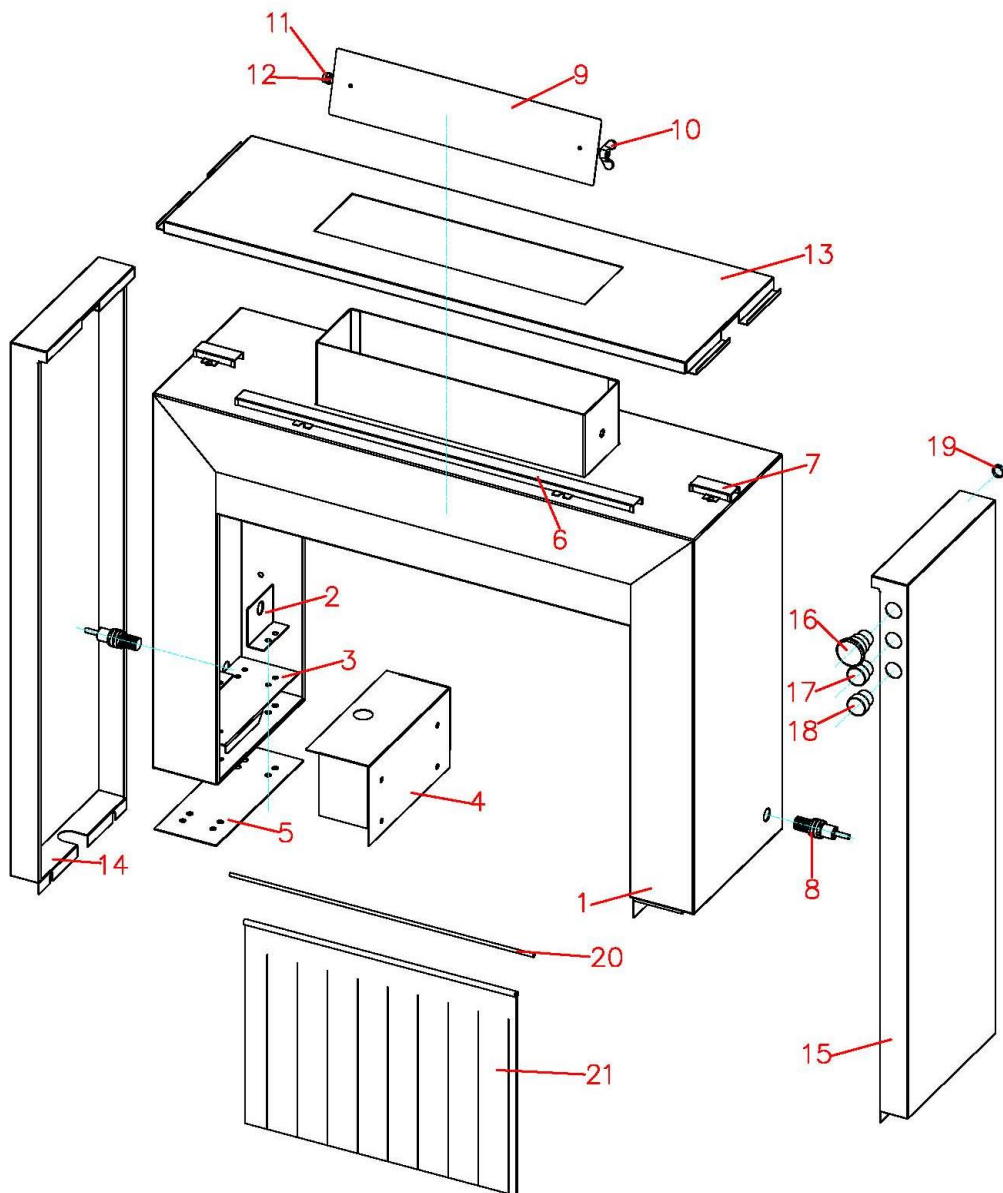
Contents

Upper Hood.....	3
The entrance to the water tank.....	5
Upper Hood.....	7
Wash Tank Assembly (Old)	9
Wash Tank Assembly (New)	11
Steam Inlet Piping (A)	13
Steam Inlet Piping (B)	15
Guide Rail Component	17
Cleaning Pipe Components	19
Upper Hood.....	21
Upper Hood.....	23
Wash Tank Assembly	25
Wash Tank Assembly (Old)	27
Wash Tank Assembly (New)	29
Spray Components (Old)	31
Spray Components (New).....	33
Spray Components (Old)	35
Spray Components (New).....	37
Booster Heater.....	39
Heater (A)	41
Heater (B)	43
Fill Inlet Piping Assembly.....	45
Steam Piping Assembly.....	47
蒸汽热交换管路组件 The pipe.....	49
Steam Dryer Piping Assembly.....	51
Dryer Top Hood Assembly.....	53
Dryer Upper Hood Assembly	55
Dryer Water Tank Assembly.....	57
Blower Top Hood Assembly.....	59
Blower Upper Hood Assembly	61

Standard Flight Type Dish Washer, Model: GT-FTC

Exit Upper Hood Assembly	63
Exit Water Tank Assembly.....	65
Exit of Guide Rail Assembly	67
Exit Conveyor Assembly	69
Conveyor Motor Assembly	71
Conveyor Belt Assembly	73
Electrical Control Panel	75
Electrical Control Panel for Double Tank	77
Electrical Control Panel for Three Tank	79
Electrical Control Panel for Three Tank (Steam)	81

Upper Hood

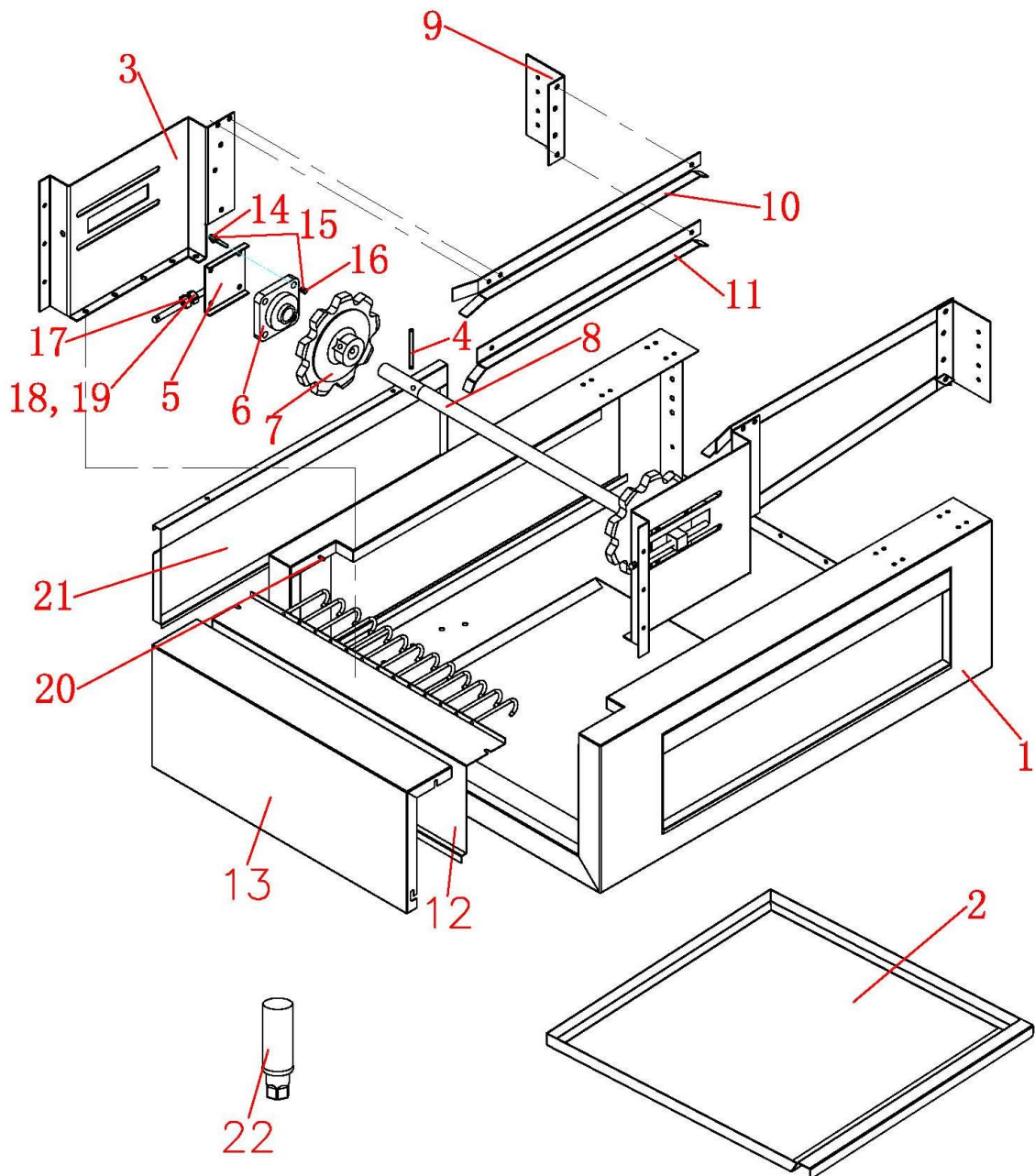


Standard Flight Type Dish Washer, Model: GT-FTC

Upper Hood

Item No.	Parts Series No.	Parts Name	Qty
1	0CD-J13-301	Upper Hood	1
2	0CD-J13-303	Support	1
3	0CD-J13-302	Bracing Sheet	2
4	0CD-J13-304	Housing	1
5	0CD-J11-304	Bracing Sheet	2
6	0CD-J14-302	Cable Trough	1
7	0CD-J14-301	Cable Trough	2
8	G034-S186E-01	Optoelectronic Switch	1
	G034-S18SP6R-01		1
9	0CD-J11-303-4	Reverse Turning Bed	1
10	E016-M10-01	The butterfly nut	1
11	A012-J11/303/5-01	Cover	1
12	E015-M8-01	Jam Nut	1
13	0CD-J13-306	Panel	1
14	0CD-J13-305AR	Panel	1
15	0CD-J13-305AL	Panel	1
16	G036-BS54C-01	Emergency Stop Switch	1
17	G036-BA331C-01	Switch	1
18	G036-BA432C-01	Switch	1
19	F024-D22-01	Hole Plugs	3
20	C004-D6-01	Dead Lever	1
21	F031-CD-02	Curtain	1
22	A012-J11/303/3A-01	Spindle	1

Entrance (750mm, 950mm, 1150mm) to the Water Tank

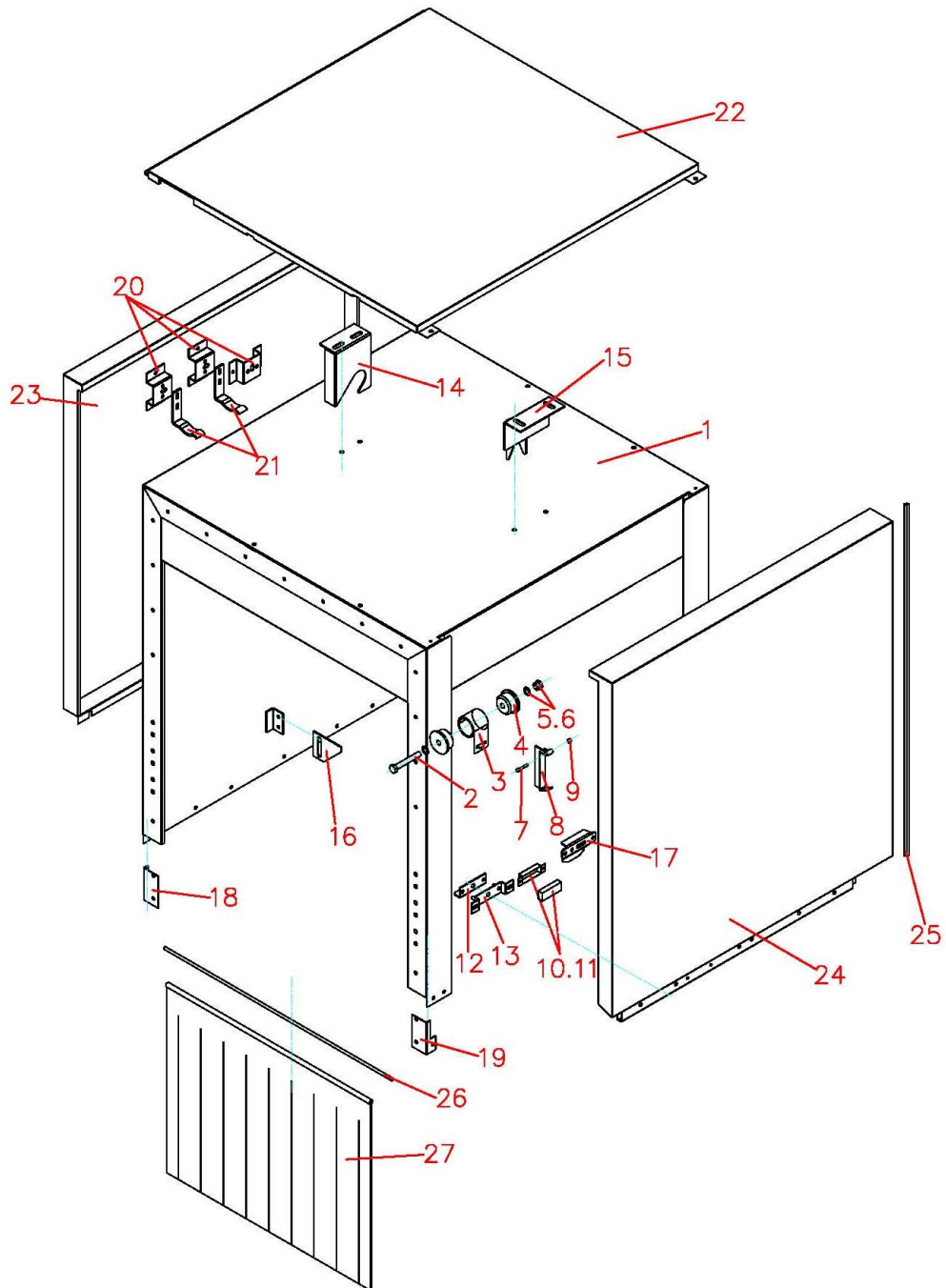


Standard Flight Type Dish Washer, Model: GT-FTC

Entrance (750mm, 950mm, 1150mm) to the Water Tank

Item No.	Parts Series No.	Parts Name	Qty
1	OCD-J10A-301	750mm Base	1
	OCD-J10B-301	950mm Base	
	OCD-J10C-301	1150mm Base	
2	OCD-J10A-305A	750mm Mesh Enclosure	1
	OCA-J10B-305A	950mm Mesh Enclosure	
3	OCD-J15-301A	Support	2
4	A006-M8x70-01	Spring pin	2
5	OCD-J15-302A	Transition plate	2
6	A010-SUCF205-01	Stainless steel bearing	2
7	F027-30305-01	Sprocket	2
8	A012-30301A-01	The entrance shaft	1
9	OCD-J15-303A	Stents	2
10	OCD-J15A-304A	750mm Conveyor Slide (upper)	2
	OCD-J15B-304A	950mm Conveyor Slide (upper)	
	OCD-J15C-304A	1150mm Conveyor Slide (upper)	
11	OCD-J15A-305A	750mm Conveyor Slide (lower)	2
	OCD-J15B-305A	950mm Conveyor Slide (lower)	
	OCD-J15C-305A	1150mm Conveyor Slide (lower)	
12	OCD-J10A-306-2	Panel	1
13	OCD-J10A-306-1	Panel	1
14	E009-M10x30-01	Hexagonal Nut	8
15	E012-M10-01	Flat Washer	8
16	E015-M10-01	Lock nut	8
17	E013-M10-01	Hexagonal Nut	2
18	E013-M10-02	Outside hexagonal copper nut	2
19	E012-M10-01	Flat Washer	2
20	A012-J13/301-01	Pile Head	4
21	OCD-J10B-301-2	Import panel	2
22	A003-YQ20/309A-01	Adjust the feet	2

Upper Hood

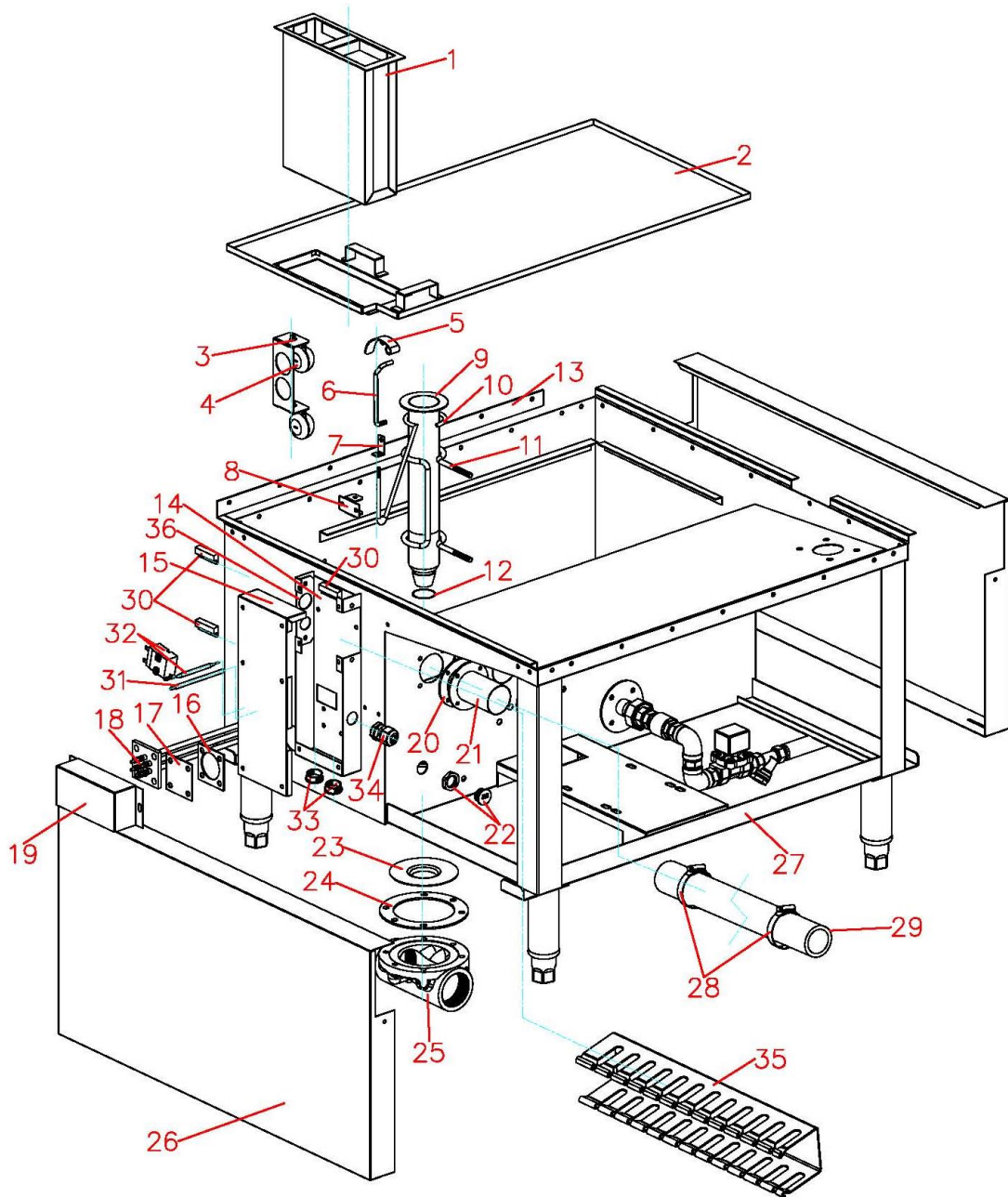


Standard Flight Type Dish Washer, Model: GT-FTC

Upper Hood

Item No.	Parts Series No.	Parts Name	Qty
1	OCD-YQ21-301	Upper Hood	1
2	E009-M10X70-01	Hex Bolt	2
3	A001-0.4X40-01	Coil Spring	2
4	F015-YQ23/301-01	Coil Springs Set	4
5	E012-M10-01	Flat Washer	2
6	E015-M10-01	Jam Nut	2
7	E010-M5X30-01	Hexagon Socket Screw	1
8	OCD-YQ23-331	Pothead	1
9	E015- M5-01	Jam Nut	1
10	A005-10x17x51-01	Magnet	1
11	OT2D-65318-8	Magnet Housing	1
12	OCD-YQ23-308	Pressing Plate	2
13	OCD-YQ23-307	Permanent Seat	2
14	OT2D-50323	Hitch Frame	1
15	OT2D-50324	Bracket	1
16	OT2D-50325	Layer Board	1
17	OCD-YQ23-314	Pressure Head	1
18	OCD-YQ23-312R	Corner Gasket	1
19	OCD-YQ23-312L	Corner Gasket	1
20	OCD-YQ27-305	Permanent Seat	3
21	OT2D-50322	Bracket	2
22	OCD-YQ23-326	Panel	1
23	OCD-YQ23-324	Panel	1
24	OCD-YQ23-303A	Sliding Door	1
25	F003-65326-01	Draw Slip	2
26	C004-D6-01	Dead Lever	1
27	F031-CD-01	Curtain	1

Wash Tank Assembly (OLD)

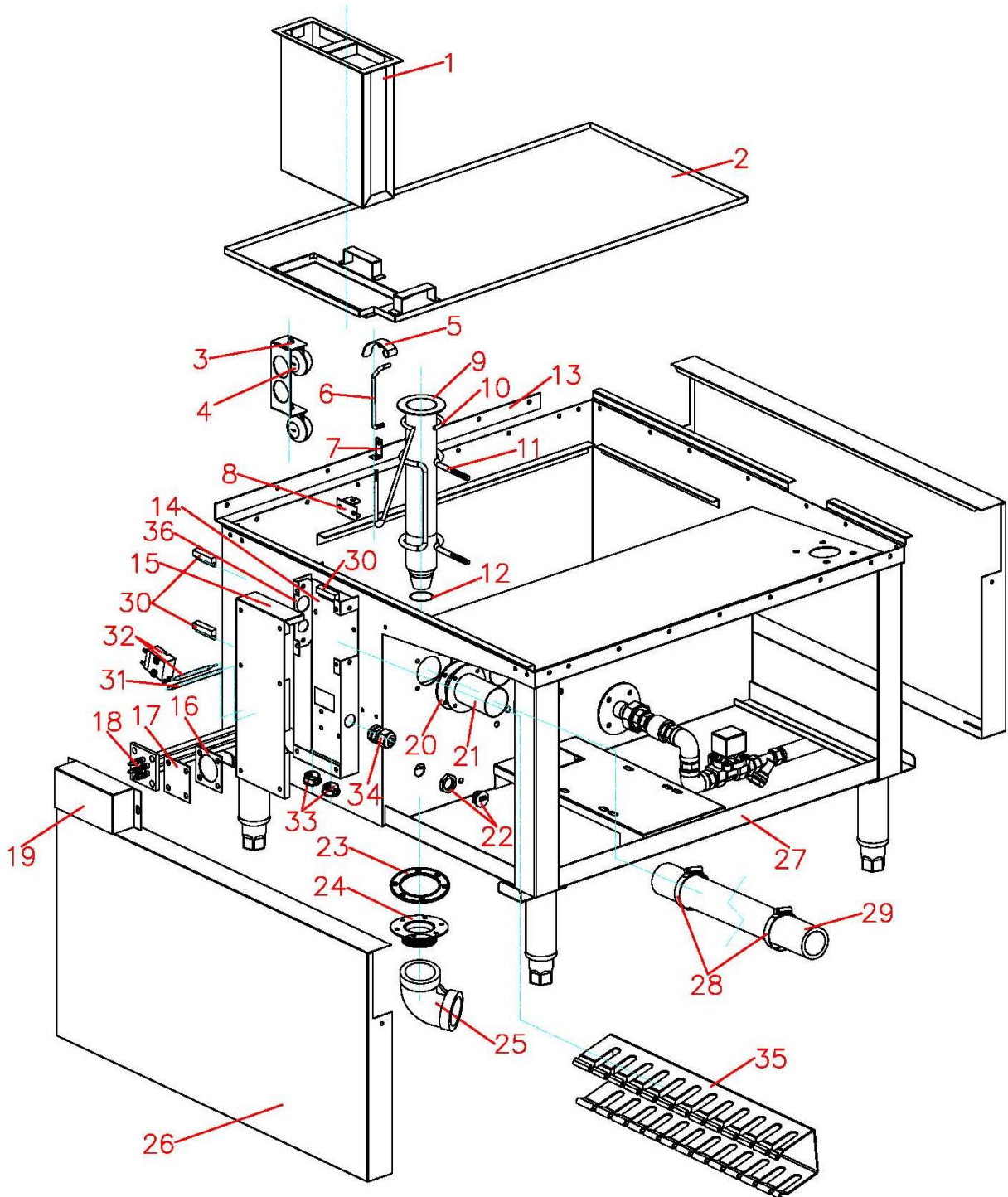


Standard Flight Type Dish Washer, Model: GT-FTC

Wash Tank Assembly (OLD)

Item No.	Parts Series No.	Parts Name	Qty
1	0CD-YQ23-323	Dreg Basket	1
2	0CD-YQ23-322	Mesh Enclosure	1
3	0T2D-70309	Floating Ball	2
4	0CD-YQ23-318	Float Card	2
5	0CD-YQ23-304	Platform Trap Door	1
6	0CD-YQ23-317-3	Drain Pipe Guider	1
7	0CD-YQ23-317-2	Brace	1
8	0CD-YQ23-317-1	Guideholder	1
9	0CD-YQ23-336 0CD-YQ23-336A	Drain Pipe	1
10	0CD-YQ23-317-4	Lift Link	1
11	0CD-YQ23-306	Drain Pipe Guider	1
12	F002-34.5x5.3-01	O Ring	1
13	0CD-YQ23-313	Batten	2
14	0CD-YQ24-301	Junction Box	1
15	0CD-YQ24-302	Cover Junction Box	1
16	F001-40309-01	Gasket	2
17	0T2D-40305	Shrouding	1
18	G005-9KW-02	Heating Element	1
19	0CD-YQ23-310A	Shield	1
20	F001-60307A-01	Gasket	1
21	0CD-YQ27-309	Warning Pipe	2
22	F005-M22-01	Hole Plug	1
23	0T2D-65308-2	Washer	1
24	F001-65309-01	Gasket	1
25	A012-65308/1/B-01	Drain pipe	1
26	0CD-YQ23-325-1	Panel	2
27	0CD-YQ20	Base	1
28	E018-46x70-01	Hose Clamp S.S.	2
29	F021-YQ27/310A-01	Rubber hose	1
30	0JD-65998A	Door Contact	3
31	G065-WZJ/4010/2-01	The temperature probe	1
32	G021-110C-01	Thermostat 110° C	1
33	G050-D26-01	Bushings	2
34	G029-PG11-01	Fixed head	1
35	G044-XC-02	The wire slot	0.5
36	0CD-YQ24-303	Connection plate	1

Wash Tank Assembly (NEW)

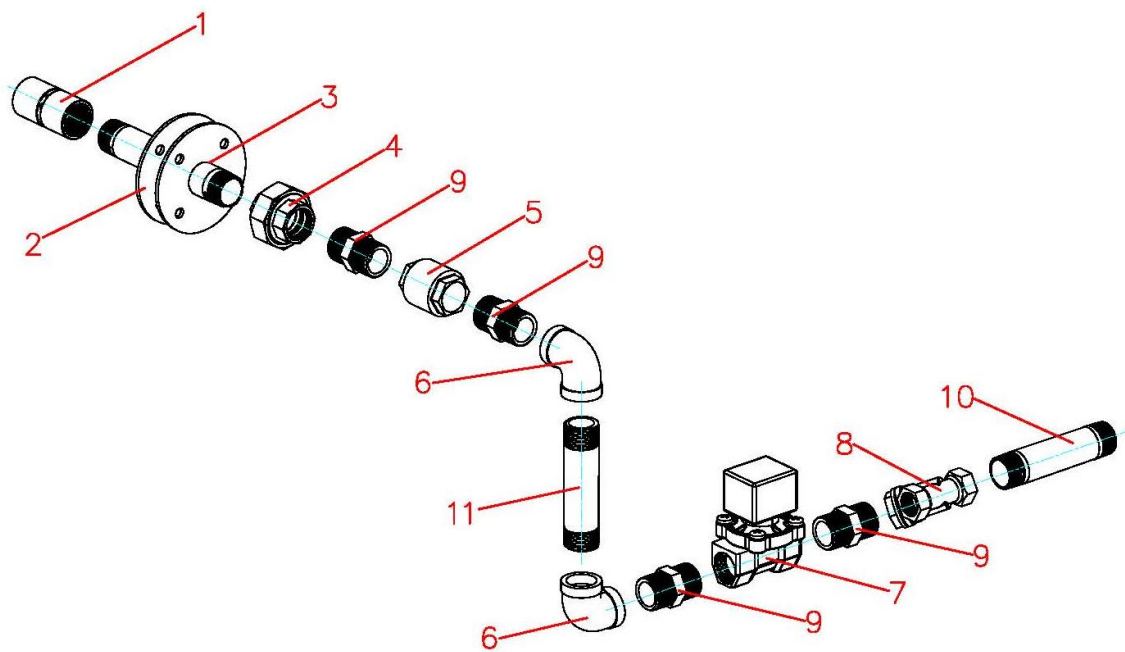


Standard Flight Type Dish Washer, Model: GT-FTC

Wash Tank Assembly (NEW)

Item No.	Parts Series No.	Parts Name	Qty
1	0CD-YQ23-323	Dreg Basket	1
2	0CD-YQ23-322	Mesh Enclosure	1
3	0T2D-70309	Floating Ball	2
4	0CD-YQ23-318	Float Card	2
5	0CD-YQ23-304	Platform Trap Door	1
6	0CD-YQ23-317-3	Drain Pipe Guider	1
7	0CD-YQ23-317-2	Brace	1
8	0CD-YQ23-317-1	Guideholder	1
9	0CD-YQ23-336 0CD-YQ23-336A	Drain Pipe	1
10	0CD-YQ23-317-4	Lift Link	1
11	0CD-YQ23-306	Drain Pipe Guider	1
12	F002-34.5x5.3-01	O Ring	1
13	0CD-YQ23-313	Batten	2
14	0CD-YQ24-301	Junction Box	1
15	0CD-YQ24-302	Cover Junction Box	1
16	F001-40309-01	Gasket	2
17	0T2D-40305	Shrouding	1
18	G005-9KW-02	Heating Element	1
19	0CD-YQ23-310A	Shield	1
20	F001-60307A-01	Gasket	1
21	0CD-YQ27-309	Warning Pipe	2
22	F005-M22-01	Hole Plug	1
23	F001-65309A-01	Gasket	1
24	0T2D-65308A	Downspouts nakedness	1
25	D009-2-01	Bend	1
26	0CD-YQ23-325-1	Panel	2
27	0CD-YQ20	Base	1
28	E018-46x70-01	Hose Clamp S.S.	12
29	F021-YQ27/310A-01	Rubber hose	1
30	0JD-65998A	Door Contact	3
31	G065-WZJ/4010/2-01	The temperature probe	1
32	G021-110C-01	Constant temperature system	1
33	G050-D26-01	Bushings	2
34	G029-PG11-01	Fixed head	1
35	G044-XC-02	The wire slot	0.5
36	0CD-YQ24-303	Connection plate	1

Steam Inlet Piping (A)

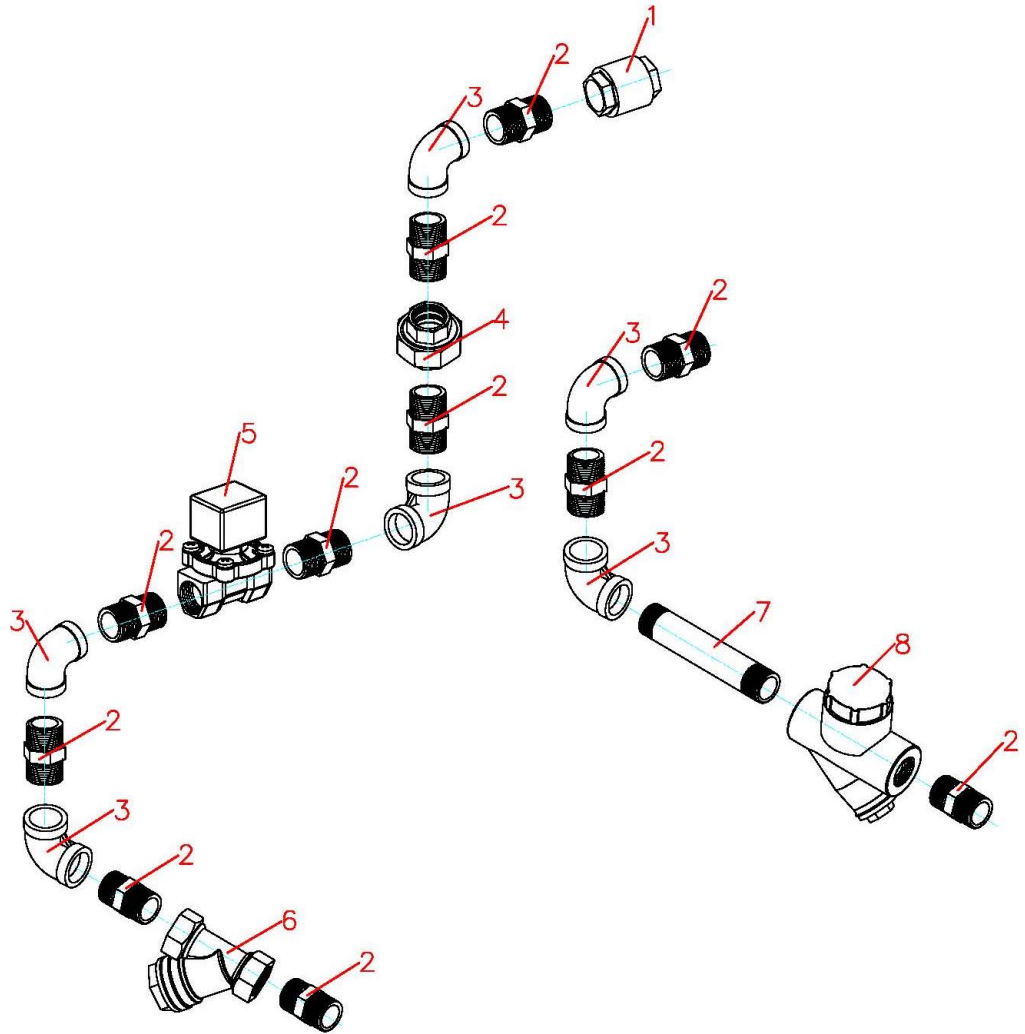


Standard Flight Type Dish Washer, Model: GT-FTC

Steam Inlet Piping (A)

Item No.	Parts Series No.	Parts Name	Qty
1	A012-65312/2-01	Censored Shower Nozzle	1
2	0T12Z-65312-3	Gasket	1
3	0T12Z-65312	Steam Connection	1
4	D014-3/4-01	Coupling Joint	1
	D014-3/4-02		
	D014-3/4-03		
	D014-3/4-04		
5	D020-3/4-01	Check Valve	1
6	D009-3/4-01	3/4" S.S. Bend	2
7	G017-AC110V-01	Solenoid Valve	1
8	D016-3/4-01	Strainer	1
9	D004-3/4-01	3/4" S.S. Joint	4
10	D004-3/4x60-01	3/4" S.S. Joint	1
11	D004-3/4x75-01	3/4" S.S. Joint	1

Steam Inlet Piping (B)

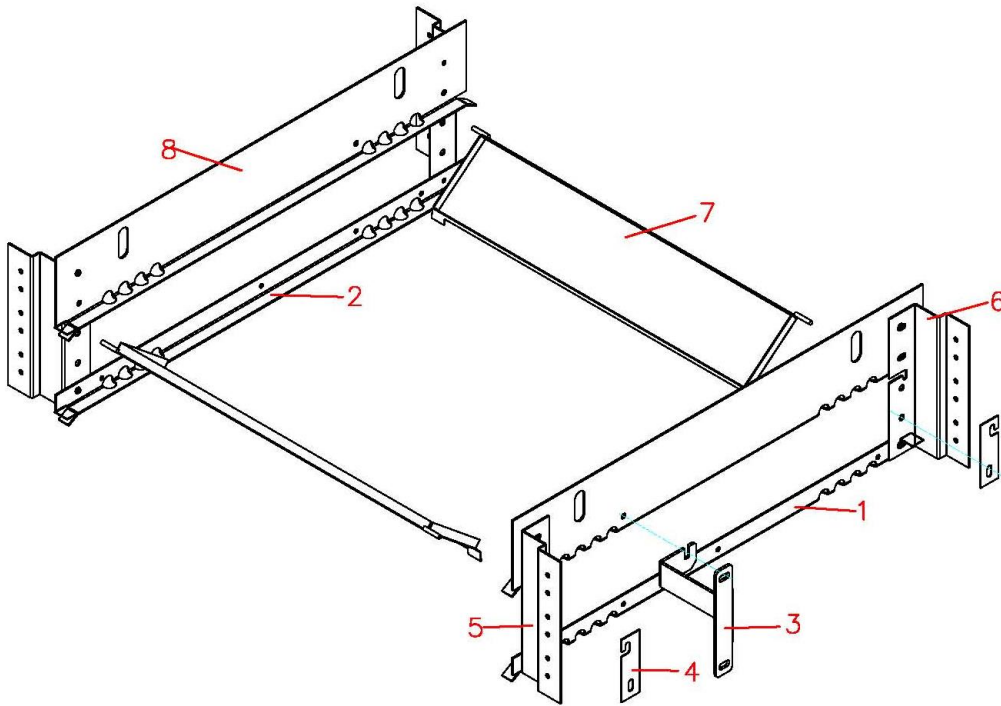


Standard Flight Type Dish Washer, Model: GT-FTC

Steam Inlet Piping (B)

Item No.	Parts Series No.	Parts Name	Qty
1	D020-3/4-01	Check Valve	1
2	D004-3/4-01	¾" S.S. Joint	11
3	D009-3/4-01	¾"S.S. Bend	6
4	D014-3/4-01 D014-3/4-02 D014-3/4-03 D014-3/4-04	Coupling Joint	1
5	G017-AC110V-01	Solenoid Valve	1
6	D016-3/4-01	Strainer	1
7	D004-3/4X140-01	¾" S.S. Joint	1
8	D021-2-01	The steam trap	1

Guide Rail Component

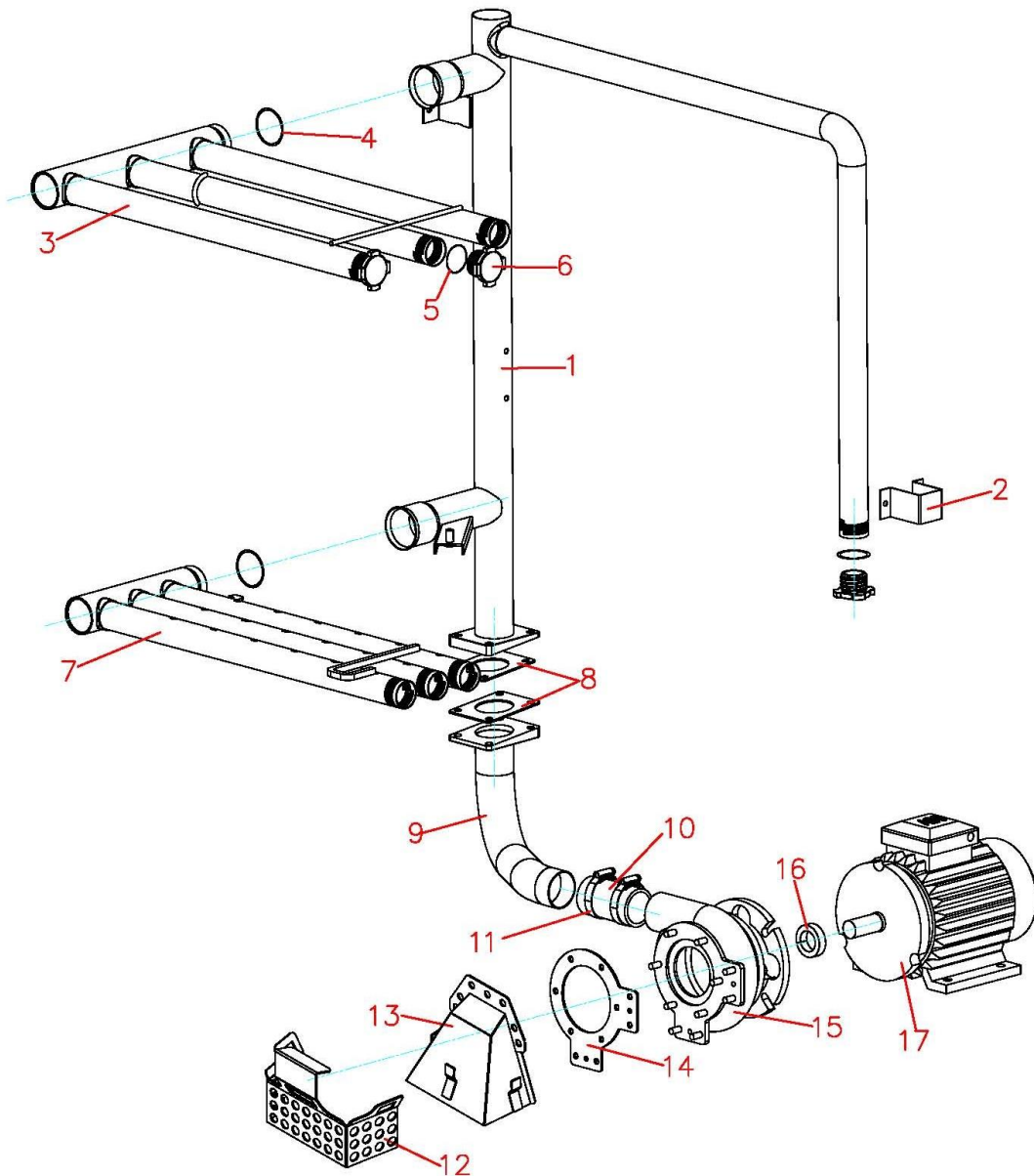


Standard Flight Type Dish Washer, Model: GT-FTC

Guide Rail Component

Item No.	Parts Series No.	Parts Name	Qty
1	0CD-YQ25-302R	Guide Rail	1
2	0CD-YQ25-302L	Guide Rail	1
3	0CD-YQ27-304	Bracket	1
4	0CD-YQ23-322	Pressing Plate	4
5	0CD-YQ25-303R	Support	2
6	0CD-YQ25-303L	Support	2
7	0CD-YQ23-309	Splash Restrictor	2
8	0CD-YQ25-301	Guide Rail	2

Wash Arm & Wash Motor Assembly

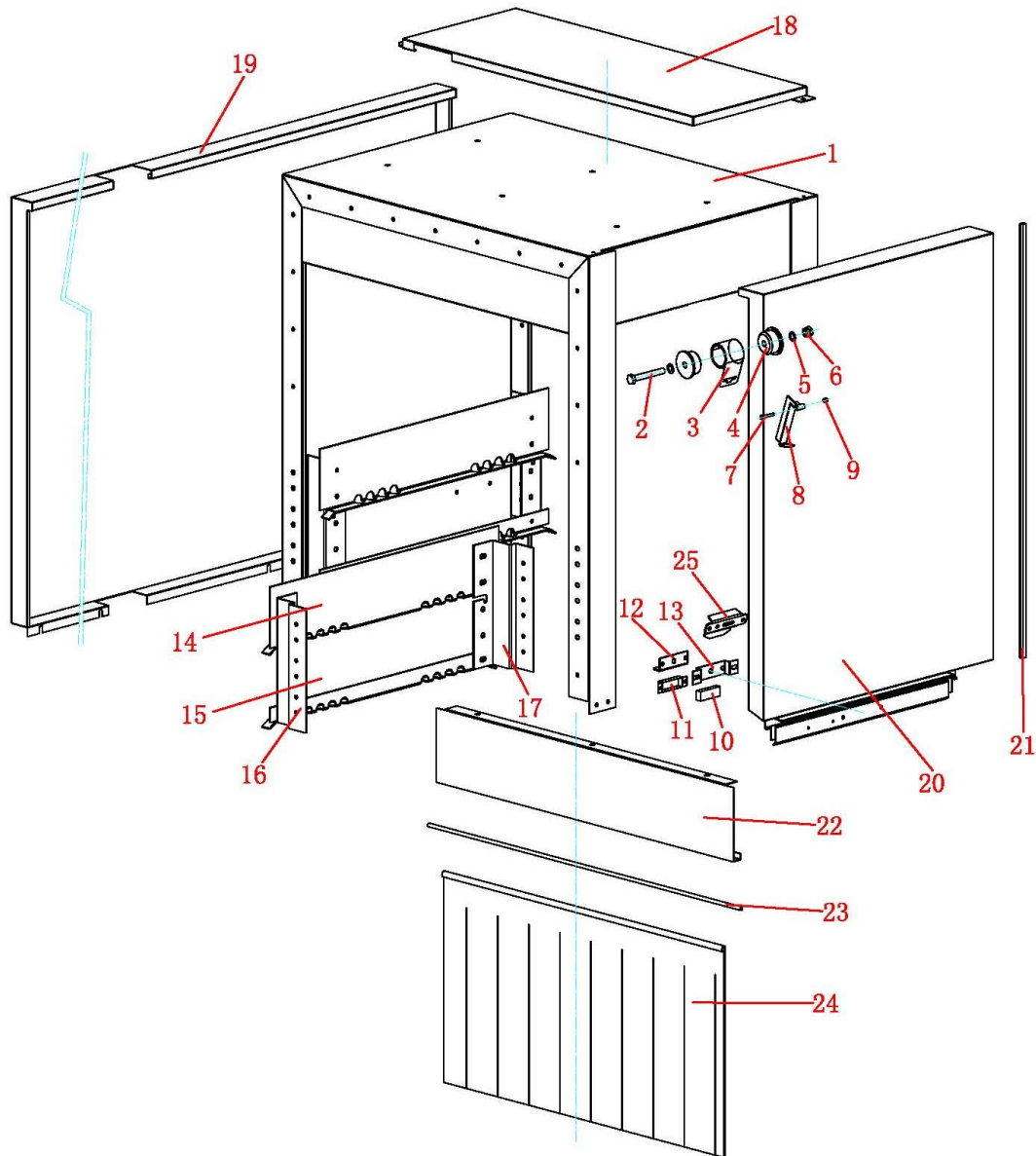


Standard Flight Type Dish Washer, Model: GT-FTC

Wash Arm & Wash Motor Assembly

Item No.	Parts Series No.	Parts Name	Qty
1	0CD-YQ27-301A 0CD-YQ27-301	Stand Pipe	1
2	0CD-YQ25-304	Fixed Mount	1
3	0CD-YQ27-303	Wash Piping Assy	1
4	F002-40x5.3-01	O Ring	2
5	F002-28x2.65-01	O Ring	7
6	F007-50339-01	Thread Cap	7
7	0CD-YQ27-302	Purge Pipe	1
8	F001-50305-01	Gasket	2
9	0CD-YQ27-311	Exhalent Siphon	1
10	F021-D51-01	Rubber Hose	1
11	E018-46X70-01	Hose Clamp	2
12	0T2D-65304A	Mesh Enclosure	1
13	0T2D-60320A	Nets Cover Socket	1
14	F001-60319-01	Gasket	1
15	A012-60316-01	Scavenging Pump	1
16	A012-60317-01	Coupling	1
17	G002-2.2KW-01 G002-1.5KW-02 G002-1.5KW-01 G002-2.2KW-02	Electromotor	1

Single Rinse Upper Hood

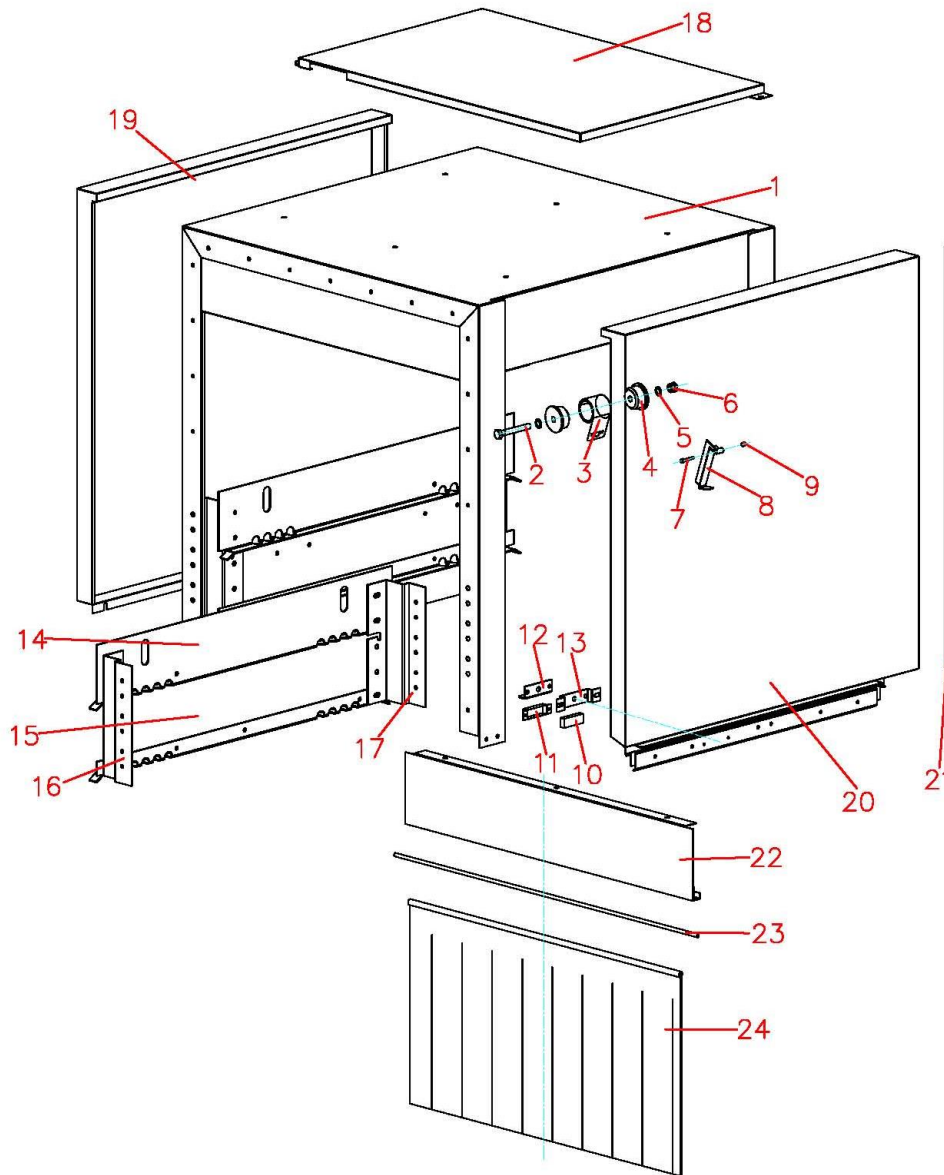


Standard Flight Type Dish Washer, Model: GT-FTC

Single Rinse Upper Hood

Item No.	Parts Series No.	Parts Name	Qty
1	0CD-PD31-301	Upper Hood	1
2	E009-M10X70-01	Hex Bolt	2
3	A001-0.4X40-01	Coil Spring	1
4	F015-YQ23/301-01	Coil Springs Set	2
5	E012-M10-01	Flat Washer	1
6	E015-M10-01	Jam Nut	1
7	E010-M5X30-01	Hexagon Socket Screw	1
8	0CD-YQ23-331	Pothook	1
9	E015- M5-01	Jam Nut	1
10	A005-10x17x51-01	Magnet	1
11	0T2D-65318-8	Magnet Housing	1
12	0CD-YQ23-308	Pressing Plate	2
13	0CD-YQ23-307	Permanent Seat	2
14	0CD-PD35-301	Guide Rail	2
15	0CD-PD35-302	Guide Rail	2
16	0CD-YQ25-303R	Support	2
17	0CD-YQ25-303L	Support	2
18	0CD-PD33-308(L-R)	Panel	1
	0CD-PD33-308(R-L)		
19	0CD-PD33-305(L-R)	Panel	1
	0CD-PD33-305(R-L)		
20	0CD-PD23-302	Sliding Door	1
21	F003-65326-01	Draw Slip	1
22	0CD-PD33-303	Splash Restrictor	1
23	C004-D6-01	Dead Lever	2
24	F031-CD-01	Curtain	2
25	0T12D-65333	Pressure Head	1

Double Rinse Upper Hood

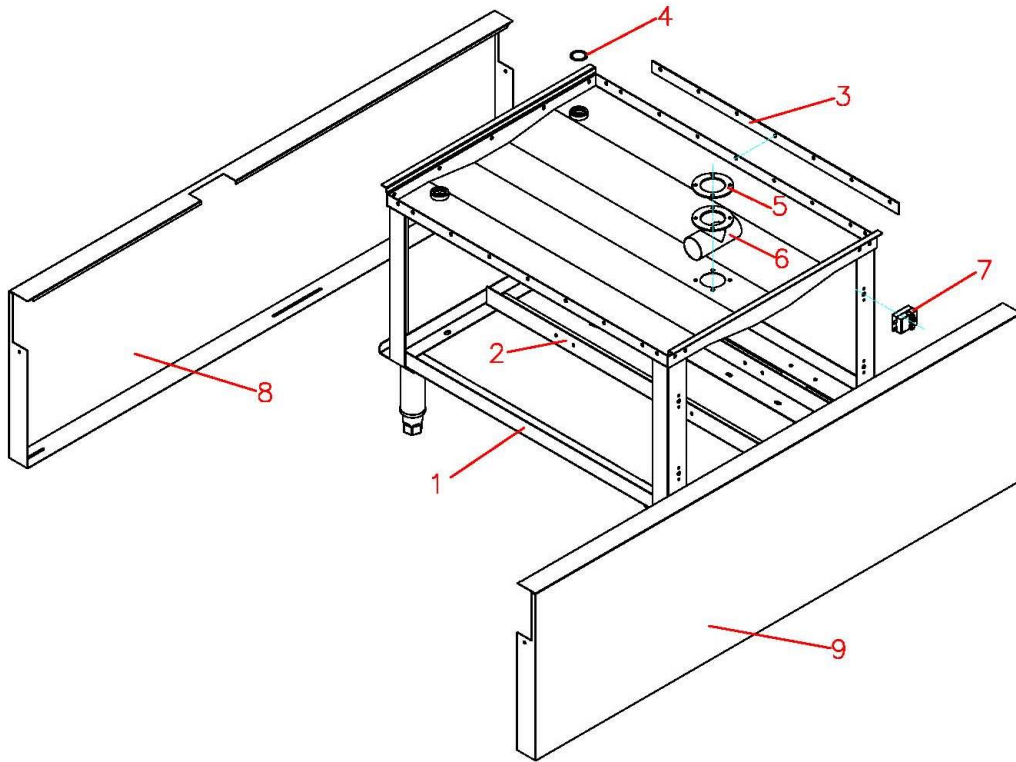


Standard Flight Type Dish Washer, Model: GT-FTC

Double Rinse Upper Hood

Item No.	Parts Series No.	Parts Name	Qty
1	0CD-PD31-301A	Upper Hood	1
2	E009-M10X70-01	Hex Bolt	2
3	A001-0.4X40-01	Coil Spring	2
4	F015-YQ23/301-01	Coil Springs Set	4
5	E012-M10-01	Flat Washer	2
6	E015-M10-01	Jam Nut	2
7	E010-M5X30-01	Hexagon Socket Screw	1
8	0CD-YQ23-331	Pothook	1
9	E015- M5-01	Jam Nut	1
10	A005-10x17x51-01	Magnet	1
11	0T2D-65318-8	Magnet Housing	1
12	0CD-YQ23-308	Pressing Plate	2
13	0CD-YQ23-307	Permanent Seat	2
14	0CD-YQ25-301	Guide Rail	2
15	0CD-YQ25-302L	Guide Rail	2
16	0CD-YQ25-303R	Support	2
17	0CD-YQ25-303L	Support	2
18	0CD-PD33-308A(L-R) 0CD-PD33-308A(R-L)	Panel	1
19	0CD-YQ23-324	Panel	1
20	0CD-YQ23-303A	Sliding Door	1
21	F003-65326-01	Draw Slip	1
22	0CD-PD33-303	Splash Restrictor	1
23	C004-D6-01	Dead Lever	2
24	F031-CD-01	Curtain	2
25	0T12D-65333	Pressure Head	1

Single Rinse Wash Tank Assembly

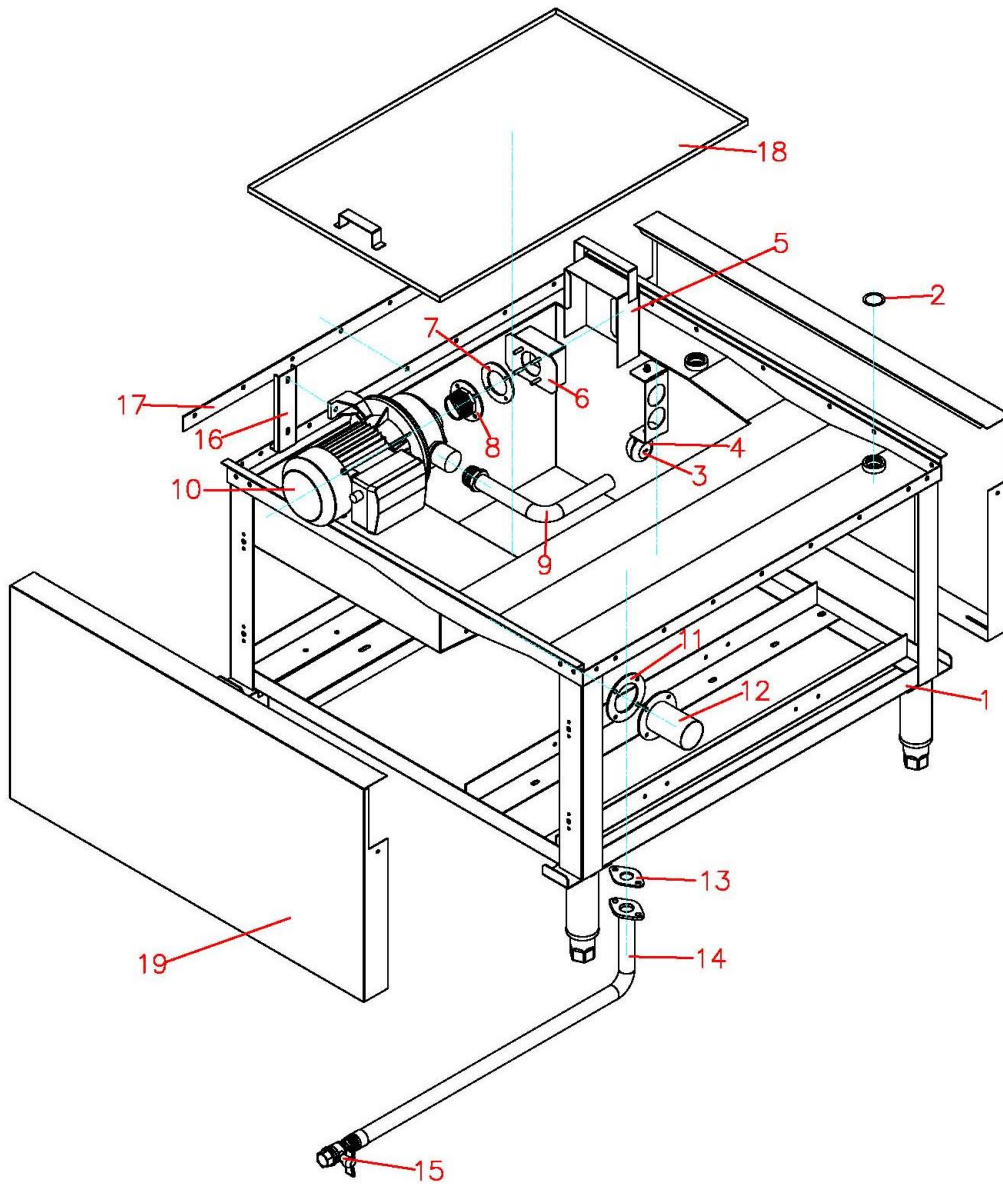


Standard Flight Type Dish Washer, Model: GT-FTC

Single Rinse Wash Tank Assembly

Item No.	Parts Series No.	Parts Name	Qty
1	0CD-PD30	Base	1
2	0CD-PD33-301	Support	2
3	0CD-YQ23-313	Batten	4
4	F002-25.8x2.65-01	O Ring	4
5	F001-60307A-01	Gasket	1
6	0CD-PD39-301	Drain pipe	1
7	G021-110C-01	Temp Control	1
8	0CD-PD33-306	Panel	1
9	0CD-PD33-307	Panel	1

Double Rinse Wash Tank Assembly (OLD)

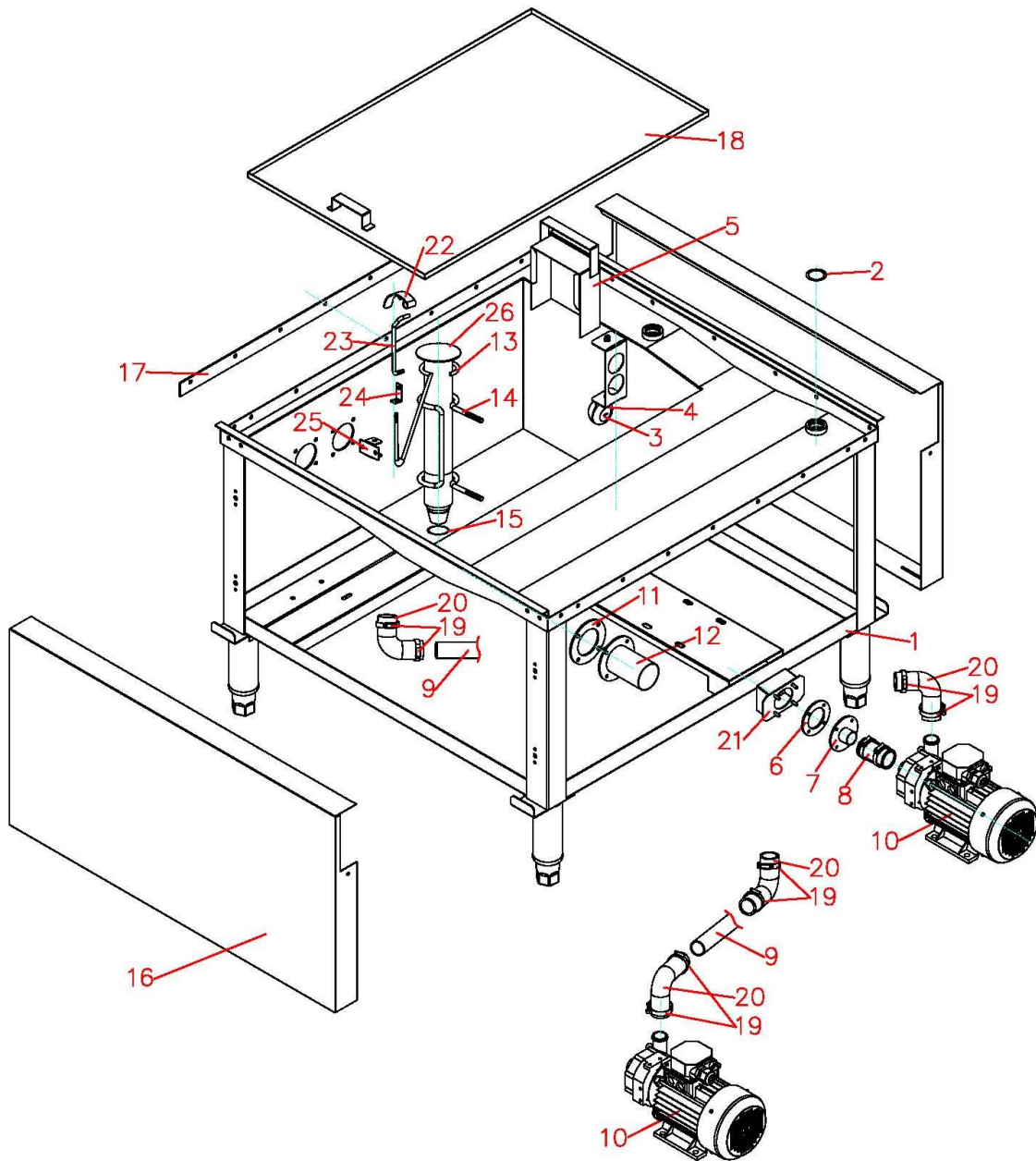


Standard Flight Type Dish Washer, Model: GT-FTC

Double Rinse Wash Tank Assembly (OLD)

Item No.	Parts Series No.	Parts Name	Qty
1	OCD-PD30A	Base	1
2	F002-25.8x2.65-01	O Ring	4
3	OT2D-70309	Floating Ball	1
4	OCD-YQ23-318	Float Card	1
5	OJD-65304	Mesh Enclosure	1
6	OJD-60306	Nets Cover Socket	1
7	F001-60307-01	Gasket	1
8	OJD-60305	Wash Pump Inlet Flange	1
9	OCD-PD37-311	Exhalent Siphon	1
10	G003-50/025-02 G003-50/025-01	Pump	1
11	F001-60307A-01	Gasket	1
12	OCD-YQ27-309	Warning Pipe	1
13	F001-50317-01	Gasket	1
14	OCD-PD37-310	Conduit	1
15	D018-1/2-01	Butterfly Bamper	1
16	OJD-60308	Support	1
17	OCD-YQ23-313	Batten	2
18	OCD-PD30-301-3A	Mesh Enclosure	1
19	OCD-YQ23-325-1	Panel	2

Double Rinse Wash Tank Assembly (NEW)

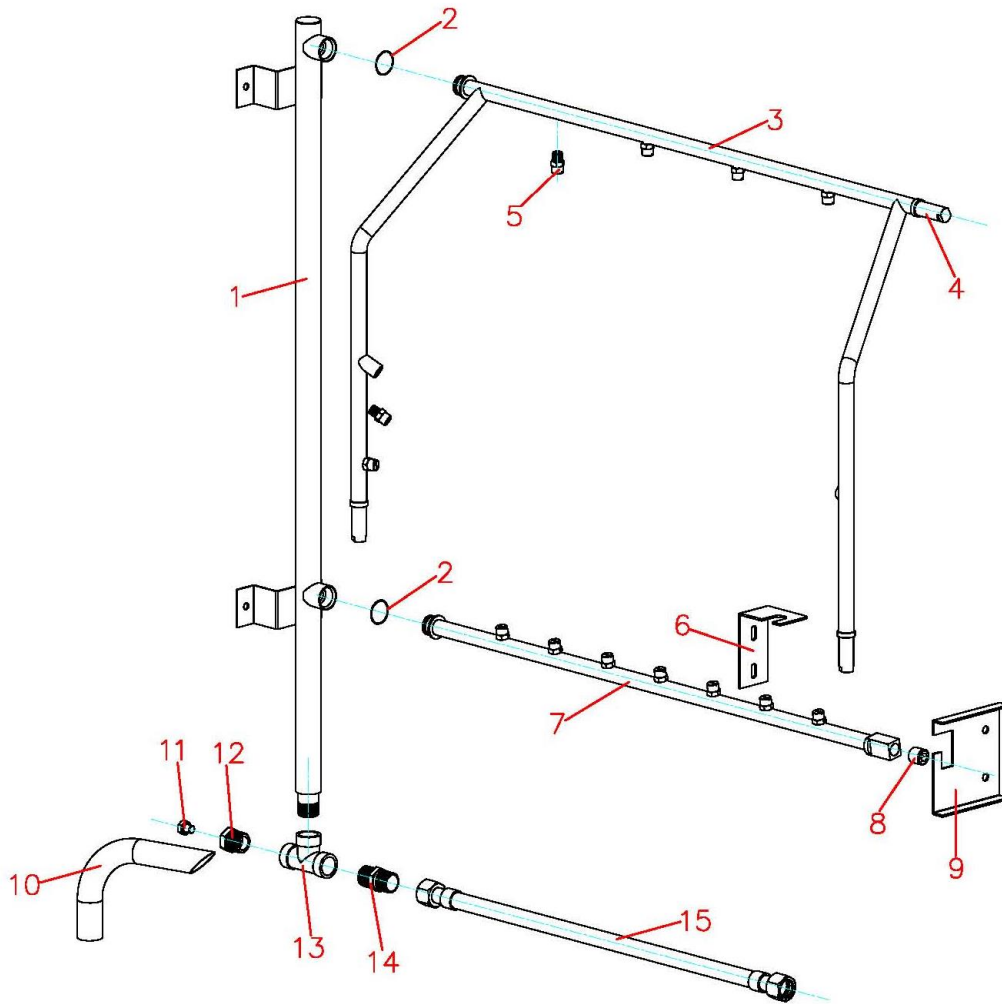


Standard Flight Type Dish Washer, Model: GT-FTC

Double Rinse Wash Tank Assembly (NEW)

Item No.	Parts Series No.	Parts Name	Qty
1	OCD-PD30A	Base	1
2	F002-25.8x2.65-01	O Ring	4
3	OT2D-70309	Floating Ball	1
4	OCD-YQ23-318	Float Card	1
5	OJD-65304	Mesh Enclosure	1
6	F001-60307-01	Gasket	1
7	OJD-60305	Wash Pump Inlet Flange	1
8	F021-D25-01	Rubber Hose	0.1 m
9	C001-D19X1.2-01	Rubber Hose	1
10	G003-2226/4160-01 G003-2226/2540-01	Pump	1
11	F001-60307A-01	Gasket	1
12	OCD-YQ27-309	Warning Pipe	1
13	F001-50317-01	Gasket	1
14	OCD-YQ23-306	Drain Pipe Guider	1
15	F002-34.5x5.3-01	O Ring	1
16	OCD-YQ23-325-1	Panel	2
17	OCD-YQ23-313	Batten	2
18	OCD-PD30-301-3A	Mesh Enclosure	1
19	E018-18X38-01	Hose Clamp	4
20	OJD-50309-3A	Rubber Hose	2
21	OJD-60306	Nets Cover Socket	1
22	OCD-YQ23-304	Platform Trap Door	1
23	OCD-YQ23-317-3	Drain Pipe Guider	1
24	OCD-YQ23-317-2	Brace	1
25	OCD-YQ23-317-1	Guide holder	1
26	OCD-YQ23-336A	Drain Pipe	1

Single Rinse, Rinse Arm Assembly (OLD)

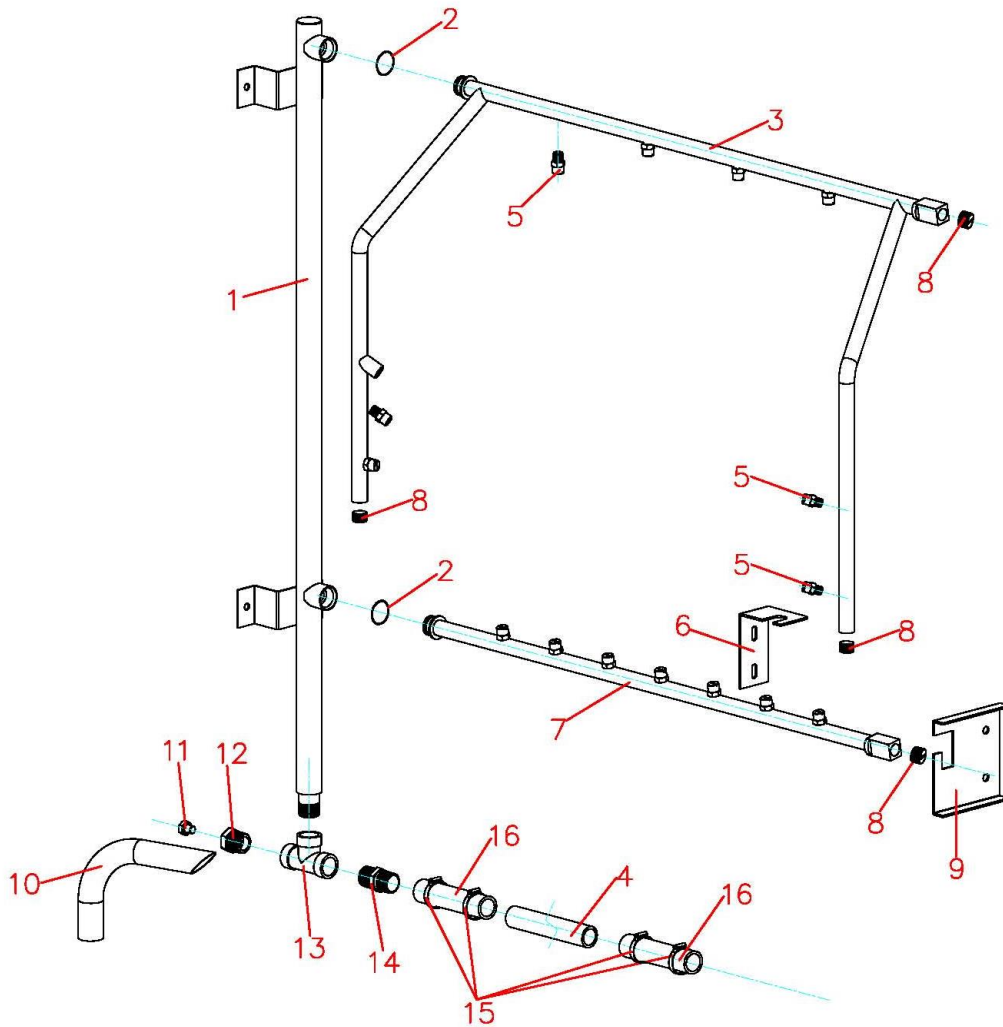


Standard Flight Type Dish Washer, Model: GT-FTC

Single Rinse, Rinse Arm Assembly (OLD)

Item No.	Parts Series No.	Parts Name	Qty
1	OCD-PD37-301	Stand Pipe	1
2	F002-12.5x2.65-01	O Ring	2
3	OCD-PD37-302(L-R) OCD-PD37-302(R-L)	Spray Arm	1
4	A012-PD37/302/5-01	Adapter Connector	3
5	A012-50311/6-03	Nozzle	15
6	OCD-PD37-304	Support	1
7	OCD-PD37-303	Spray Arm	1
8	A012-50311/5-01	choke plug	1
9	OCD-PD37-305(L-R) OCD-PD37-305(R-L)	Support	1
10	OCD-PD37-306	Filling Water Pipe	1
11	D026-1/8-01	Choke Plug	1
12	D011-1/8x1/2-01	Add Liquid Mouth Joint	1
13	D006-1/2-01	½" S.S. Tee Joint	1
14	D004-1/2-01	½" S.S. Joint	1
15	D024-1/2X525-01	Flexible Metallic Conduct	1

Single Rinse, Rinse Arm Assembly (NEW)

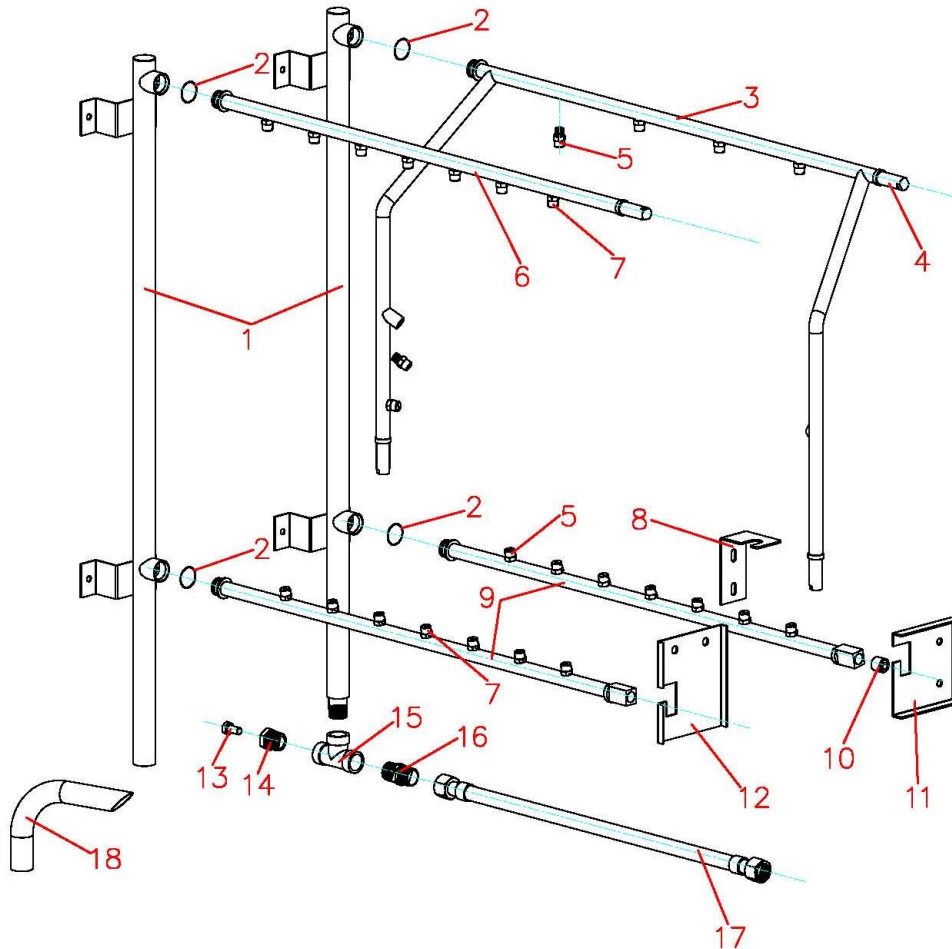


Standard Flight Type Dish Washer, Model: GT-FTC

Single Rinse, Rinse Arm Assembly (NEW)

Item No.	Parts Series No.	Parts Name	Qty
1	0CD-PD37-301	Stand Pipe	1
2	F002-12.5x2.65-01	O Ring	2
3	0CD-PD37-302(L-R) 0CD-PD37-302(R-L)	Spray Arm	1
4	C001-D25X1.5-01	Stainless steel pipe	1
5	A012-50311/6-03	Nozzle	15
6	0CD-PD37-304	Support	1
7	0CD-PD37-303	Spray Arm	1
8	A012-50311/5-01	choke plug	4
9	0CD-PD37-305(L-R) 0CD-PD37-305(R-L)	Support	1
10	0CD-PD37-306	Filling Water Pipe	1
11	D026-1/8-01	Choke Plug	1
12	D011-1/8x1/2-01	Add Liquid Mouth Joint	1
13	D006-1/2-01	½" S.S. Tee Joint	1
14	D004-1/2-01	½" S.S. Joint	1
15	E018-18X38-01	Hose Clamp	4
16	F021-D25-01	Rubber hose	1

Double Rinse, Rinse Arm Assembly (OLD)

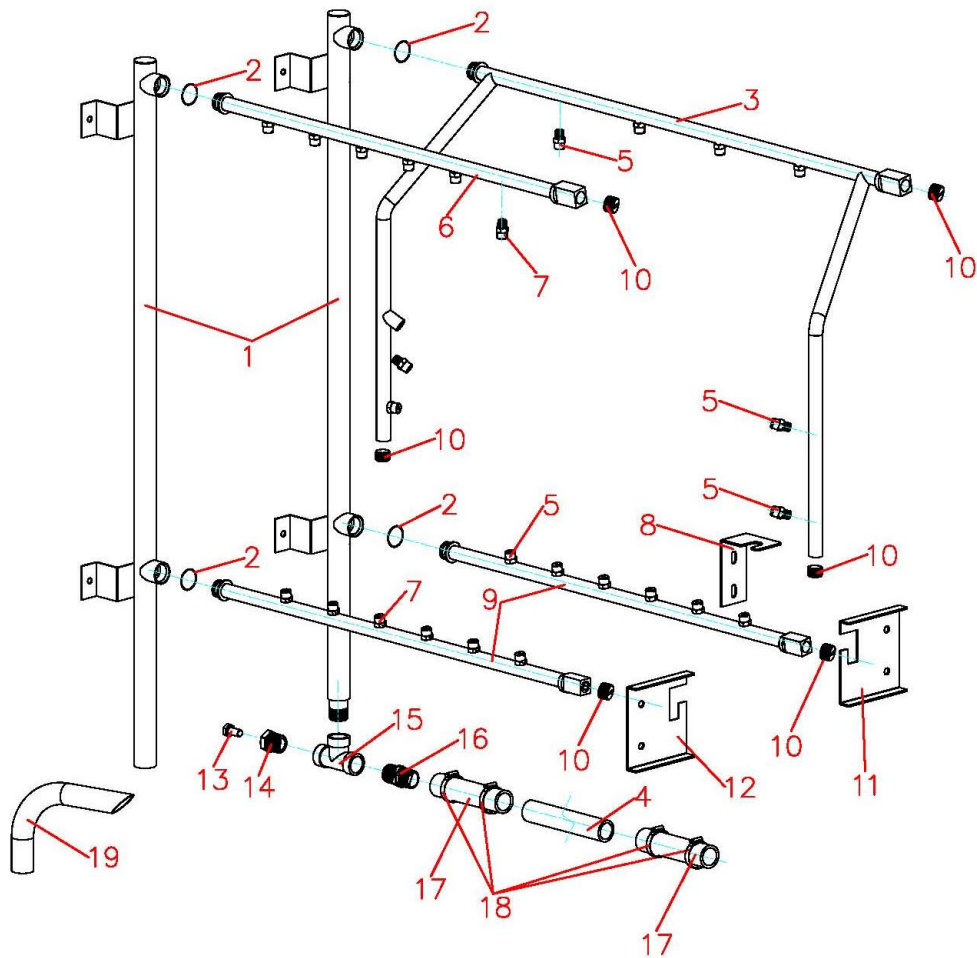


Standard Flight Type Dish Washer, Model: GT-FTC

Double Rinse, Rinse Arm Assembly (OLD)

Item No.	Parts Series No.	Parts Name	Qty
1	0CD-PD37-301	Stand Pipe	2
2	F002-12.5x2.65-01	O Ring	4
3	0CD-PD37-302(L-R) 0CD-PD37-302(R-L)	Spray Arm	1
4	A012-PD37/302/5-01	Adapter Connector	3
5	A012-50311/6-03	Nozzle	15
6	0CD-PD37-303A	Spray Arm	1
7	A012-50311/6-01	Nozzle	14
8	0CD-PD37-304	Support	1
9	0CD-PD37-303	Spray Arm	2
10	A012-50311/5-01	choke plug	2
11	0.CD-PD37-305(L-R) 0CD-PD37-305(R-L)	Support	1
12	0CD-PD37-305A(L-R) 0CD-PD37-305A(L-R)	Support	1
13	D026-1/8-01	Choke Plug	1
14	D011-1/8x1/2-01	Add Liquid Mouth Joint	1
15	D006-1/2-01	½" S.S. Tee Joint	1
16	D004-1/2-01	½" S.S. Joint	1
17	D024-1/2X525-01	Flexible Metallic Conduct	1
18	0CD-PD37-306	Filling Water Pipe	1

Double Rinse, Rinse Arm Assembly (NEW)

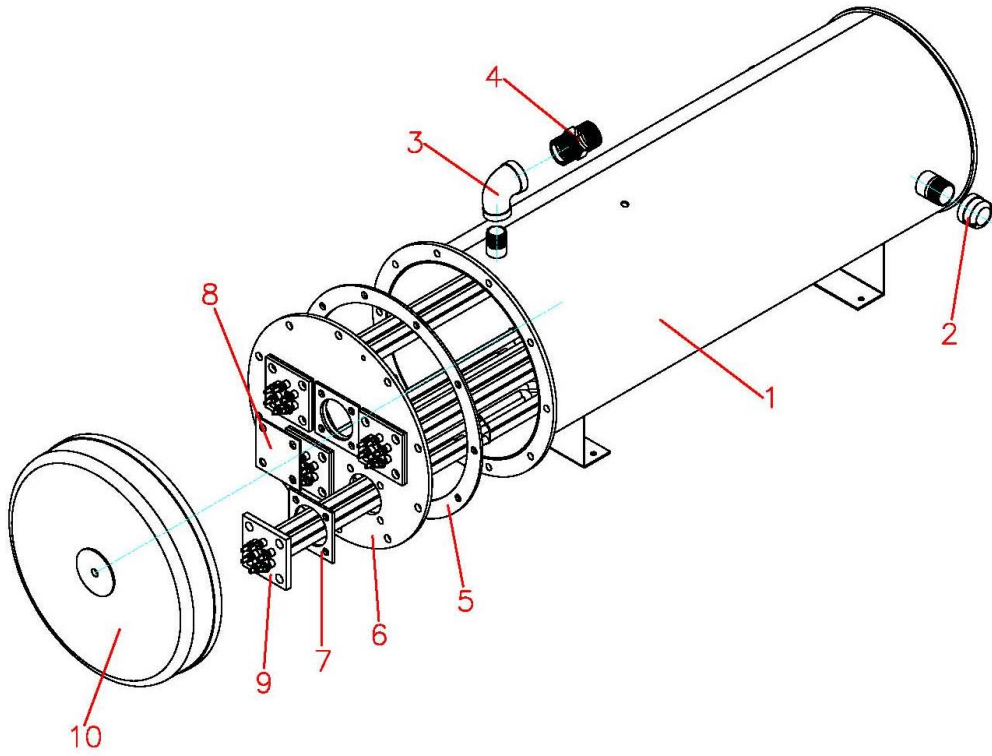


Standard Flight Type Dish Washer, Model: GT-FTC

Double Rinse, Rinse Arm Assembly (NEW)

Item No.	Parts Series No.	Parts Name	Qty
1	0CD-PD37-301	Stand Pipe	2
2	F002-12.5x2.65-01	O Ring	4
3	0CD-PD37-302(L-R) 0CD-PD37-302(R-L)	Spray Arm	1
4	C001-D25X1.5-01	Stainless steel pipe	1
5	A012-50311/6-03	Nozzle	15
6	0CD-PD37-303A	Spray Arm	1
7	A012-50311/6-01	Nozzle	14
8	0CD-PD37-304	Support	1
9	0CD-PD37-303	Spray Arm	2
10	A012-50311/5-01	choke plug	6
11	0.CD-PD37-305(L-R) 0CD-PD37-305(R-L)	Support	1
12	0CD-PD37-305A(L-R) 0CD-PD37-305A(L-R)	Support	1
13	D026-1/8-01	Choke Plug	1
14	D011-1/8x1/2-01	Add Liquid Mouth Joint	1
15	D006-1/2-01	½" S.S. Tee Joint	1
16	D004-1/2-01	½" S.S. Joint	1
17	F021-D25-01	Rubber hose	1
18	E018-18X38-01	Hose Clamp	4
19	0CD-PD37-306	Filling Water Pipe	1

Booster Heater

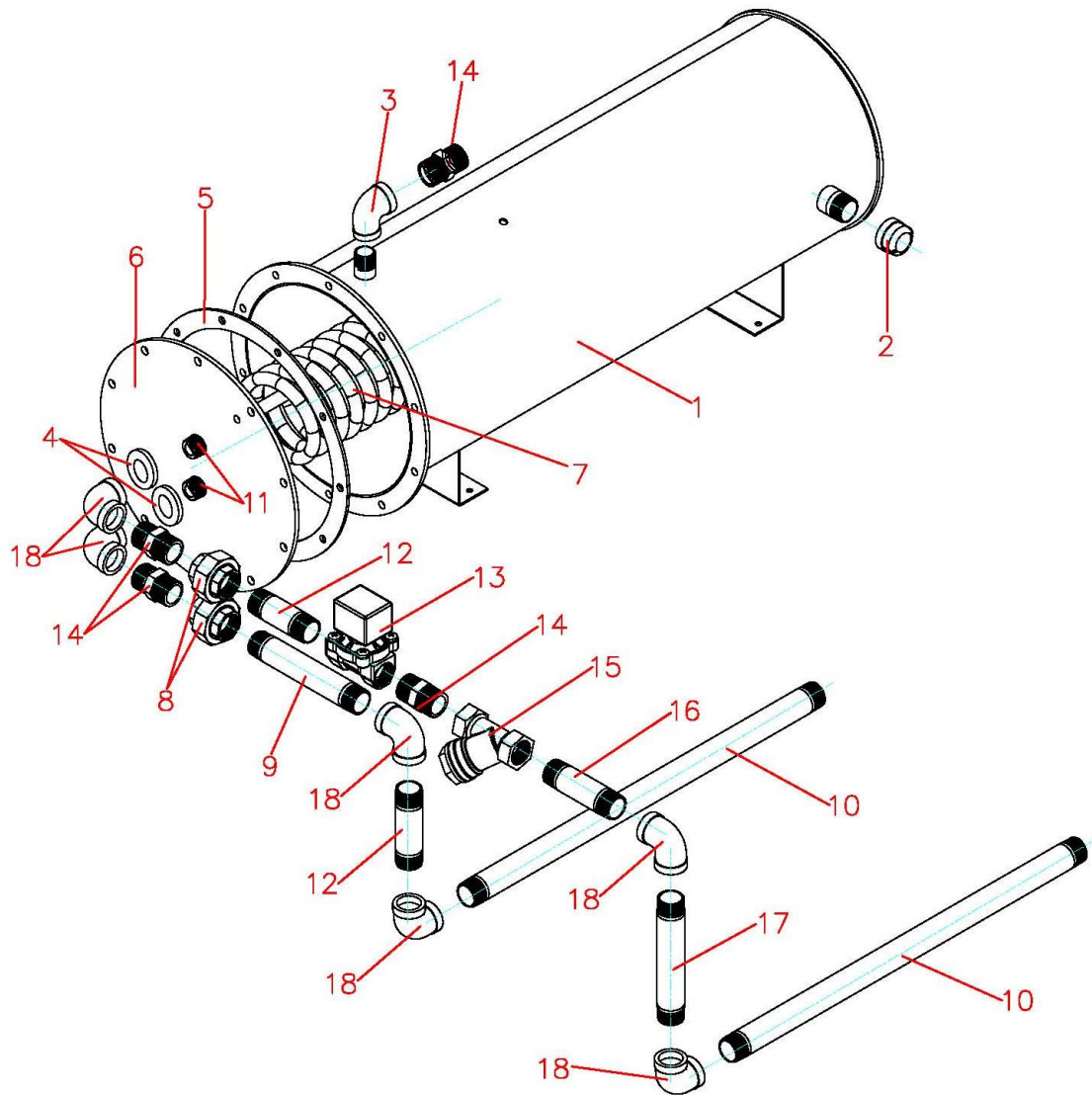


Standard Flight Type Dish Washer, Model: GT-FTC

Booster Heater

Item No.	Parts Series No.	Parts Name	Qty
1	OCD-40000	Booster Cylinder	1
2	D025-3/4-01	Pipe Cap	1
3	D009-1/2X3/4-01	1/2" S.S. Bend	1
4	D004-3/4-01	1/2" S.S. Joint	1
5	OCD-40308	Gasket	1
6	OCD-40304	Insulation Cover	1
7	F001-40309-01	Gasket	5
8	OT2D-40305	Shrouding	1
9	G005-9KW-02	Heating Element	4
10	F006-QDG-01	Insulation Cover	1

Steam Booster Heater (A)

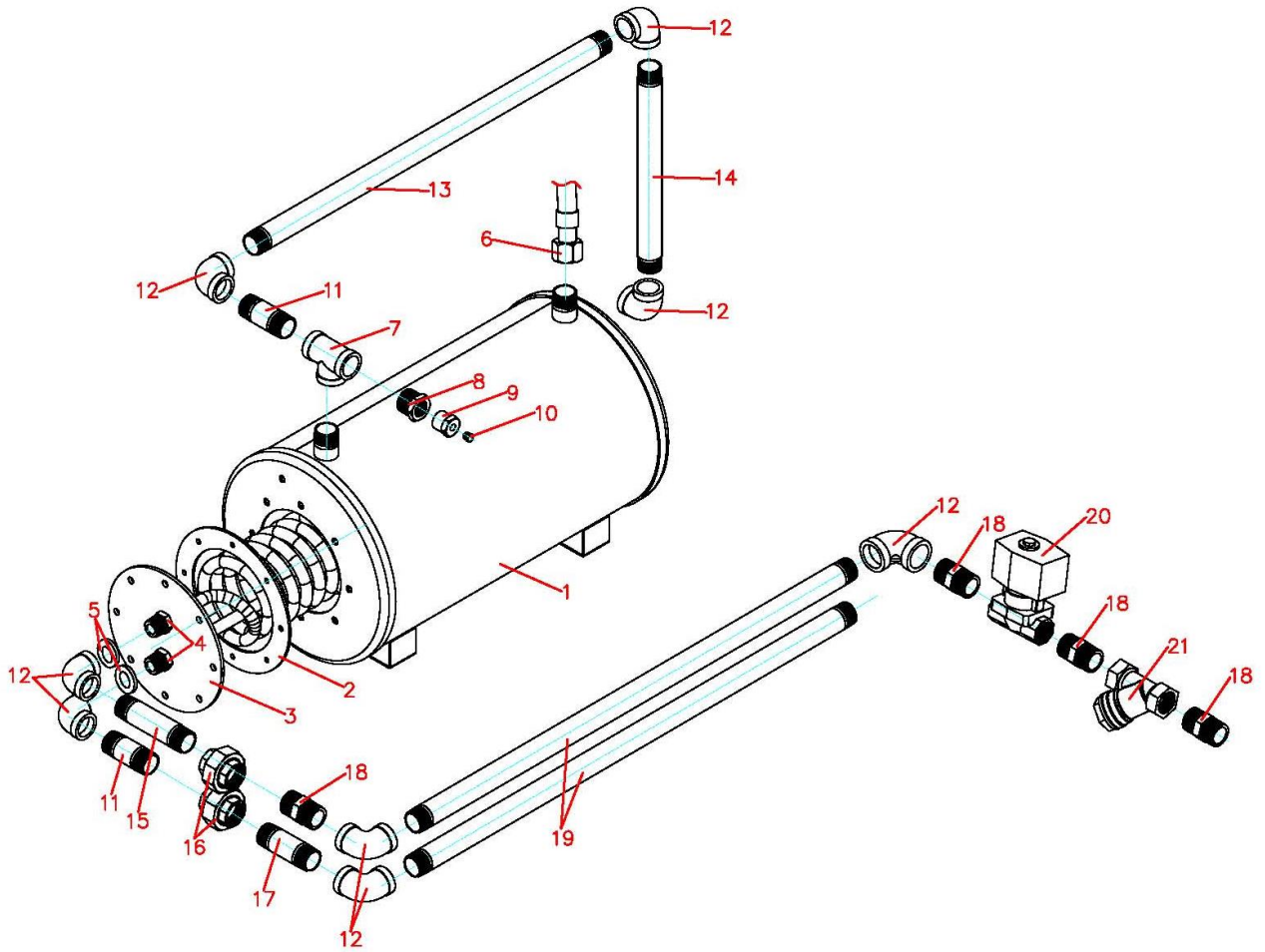


Standard Flight Type Dish Washer, Model: GT-FTC

Steam Booster Heater (A)

Item No.	Parts Series No.	Parts Name	Qty
1	0CZ-40000	Booster Cylinder	1
2	D025-3/4-01	Pipe Cap	1
3	D009-1/2X3/4-01	1/2" S.S. Bend	1
4	F017-D20-01	Asbestos gaskets	2
5	0CD-40308	Gasket	1
6	0CZ-40304A	Insulation Cover	1
7	G006-ZQ-01	Heating Element	1
8	D014-3/4-01	Coupling Joint	2
	D014-3/4-02		
	D014-3/4-03		
	D014-3/4-04		
9	D004-3/4X98-01	3/4" S.S. Joint	1
10	D004-3/4X285-01	3/4" S.S. Joint	2
11	A012-40307/2-01	Transition threaded sleeve	2
12	D004-3/4X60-01	3/4" S.S. Joint	2
13	G017-AC110V-01	Solenoid Valve	1
14	D004-3/4-01	3/4" S.S. Joint	4
15	D016-3/4-01	Strainer	1
16	D004-3/4X75-01	3/4" S.S. Joint	1
17	D004-3/4X98-01	3/4" S.S. Joint	1
18	D009-3/4-01	3/4" S.S. Bend	6

Steam Booster Heater (B)

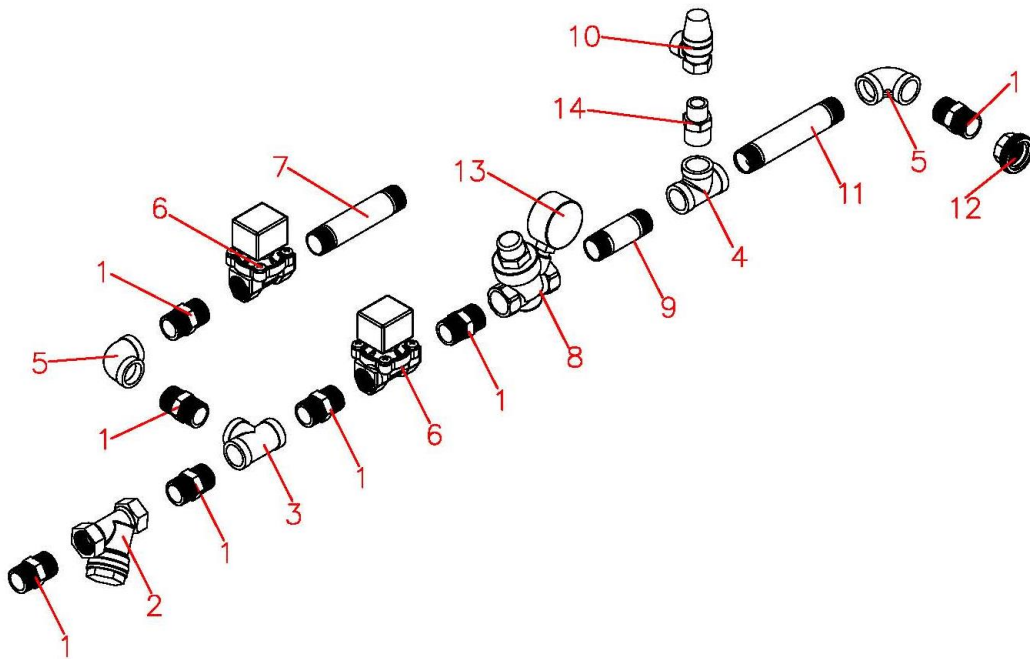


Standard Flight Type Dish Washer, Model: GT-FTC

Steam Booster Heater (B)

Item No.	Parts Series No.	Parts Name	Qty
1	OT1Z-40A-301	Booster Cylinder	1
2	OT2Z-40309	Gasket	1
3	G006-ZQ-01	Heating Element	1
4	A012-40307/2-01	Transition threaded sleeve	2
5	F017-D20-01	Asbestos gaskets	2
6	D024-1/2X525-01	Flexible Metallic Conduct	1
7	D006-3/4 -01	3/4" S.S. Joint	1
8	D008-1/2 x3/4-01	Reducer Union	1
9	D011-1/8x1/2-01	Add Liquid Mouth Joint	1
10	D026-1/8-01	Choke Plug	1
11	D004-3/4X60-01	3/4" S.S. Joint	2
12	D009-3/4-01	3/4"S.S. Bend	8
13	D004-3/4X550-01	3/4" S.S. Joint	1
14	D004-3/4X270-01	3/4" S.S. Joint	1
15	D004-3/4X98-01	3/4" S.S. Joint	1
16	D014-3/4-01 D014-3/4-02 D014-3/4-03 D014-3/4-04	Coupling Joint	2
17	D004-3/4X75-01	3/4" S.S. Joint	1
18	D004-3/4-01	3/4" S.S. Joint	4
19	D004-3/4X760-01	3/4" S.S. Joint	1
20	G017-AC110V-01	Solenoid Valve	1
21	D016-3/4-01	Strainer	1

Steam Inlet Piping

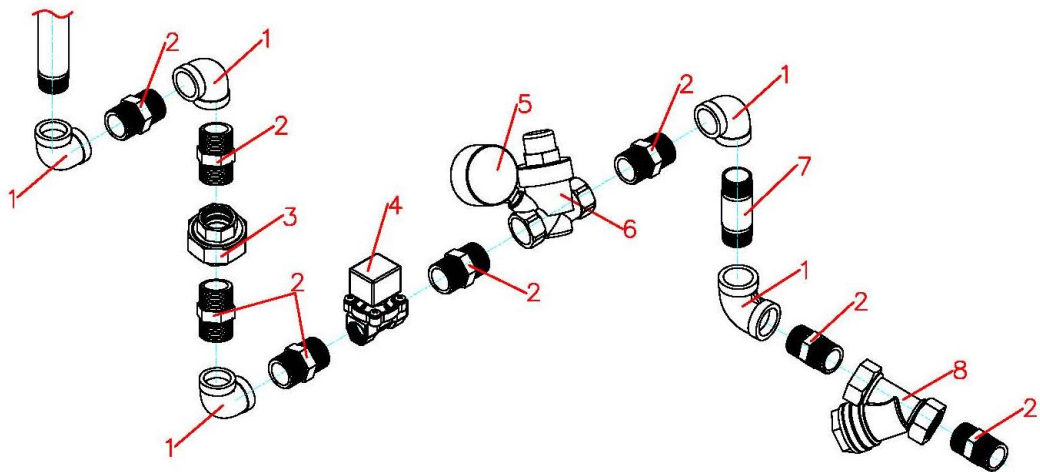


Standard Flight Type Dish Washer, Model: GT-FTC

Steam Inlet Piping

Item No.	Parts Series No.	Parts Name	Qty
1	D004-3/4-01	¾" S.S. Joint	7
2	D016-3/4-01	Strainer	1
3	D006-3/4-01	¾"S.S. Tee Joint	1
4	D006-1/2X3/4-01	¾x½"Reducer Union	1
5	D009-3/4-01	¾"S.S. Bend	2
6	G017-110VX3/4-01	Solenoid Valve	2
7	D004-3/4x75-01	¾" S.S. Joint	1
8	D017-3/4-01	Pressure Gauge	1
9	D004-3/4X60-01	¾" S.S. Joint	1
10	D023-3BAR-01	Relief Valve	1
11	D004-3/4X98-01	¾" S.S. Joint	1
12	D014-3/4-01	Coupling Joint	1
	D014-3/4-02		
	D014-3/4-03		
	D014-3/4-04		
13	D015-1/4-01	Pressure Gage	1
14	D010-1/2X3/4-02	1/2" S.S. Joint	1

Steam Piping Assembly

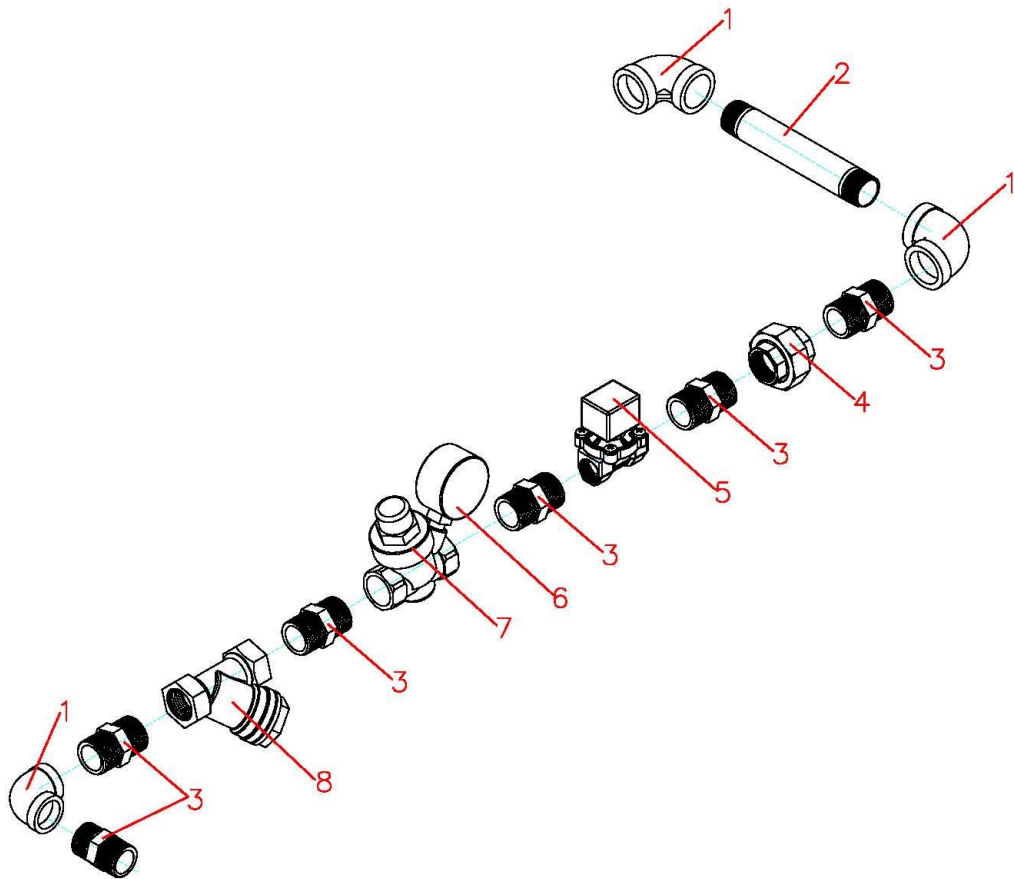


Standard Flight Type Dish Washer, Model: GT-FTC

Steam Piping Assembly

Item No.	Parts Series No.	Parts Name	Qty
1	D009-3/4-01	3/4" S.S. Bend	5
2	D004-3/4-01	3/4" S.S. Joint	8
3	D014-3/4-01 D014-3/4-02 D014-3/4-03 D014-3/4-04	Coupling Joint	1
4	G017-110VX3/4-01	Solenoid Valve	1
5	D015-1/4-01	Pressure Gage	1
6	D017-3/4-01	Pressure Gauge	1
7	D004-3/4X60-01	3/4" S.S. Joint	1
8	D016-3/4-01	Strainer	1

Steam Fill Piping (extra width 114mm)

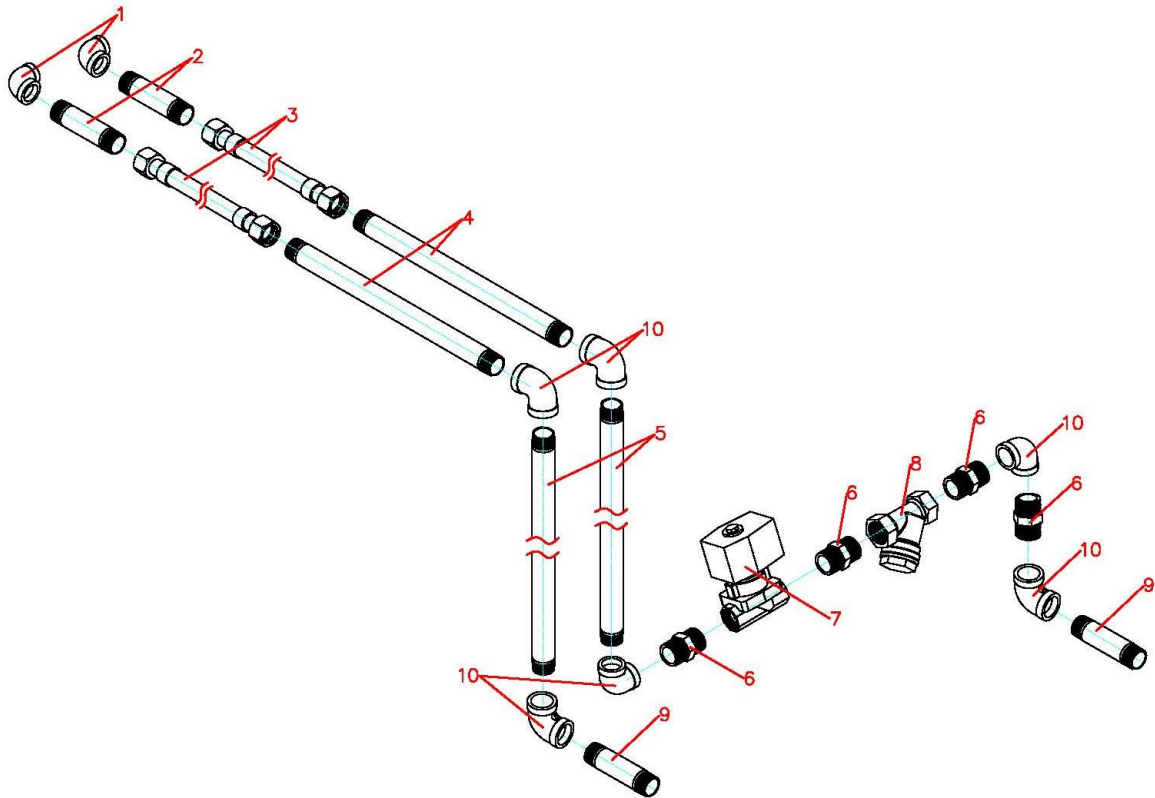


Standard Flight Type Dish Washer, Model: GT-FTC

Steam Fill Piping (extra width 114mm)

Item No.	Parts Series No.	Parts Name	Qty
1	D009-3/4-01	¾" S.S. Bend	3
2	D004-3/4x140-01	¾" S.S. Joint	1
3	D004-3/4-01	¾" S.S. Joint	6
4	D014-3/4-01 D014-3/4-02 D014-3/4-03 D014-3/4-04	Coupling Joint	1
5	G017-110VX3/4-01	Solenoid Valve	1
6	D015-1/4-01	Pressure Gage	1
7	D017-3/4-01	Pressure Gauge	1
8	D016-3/4-01	Strainer	1

Steam Dryer Piping

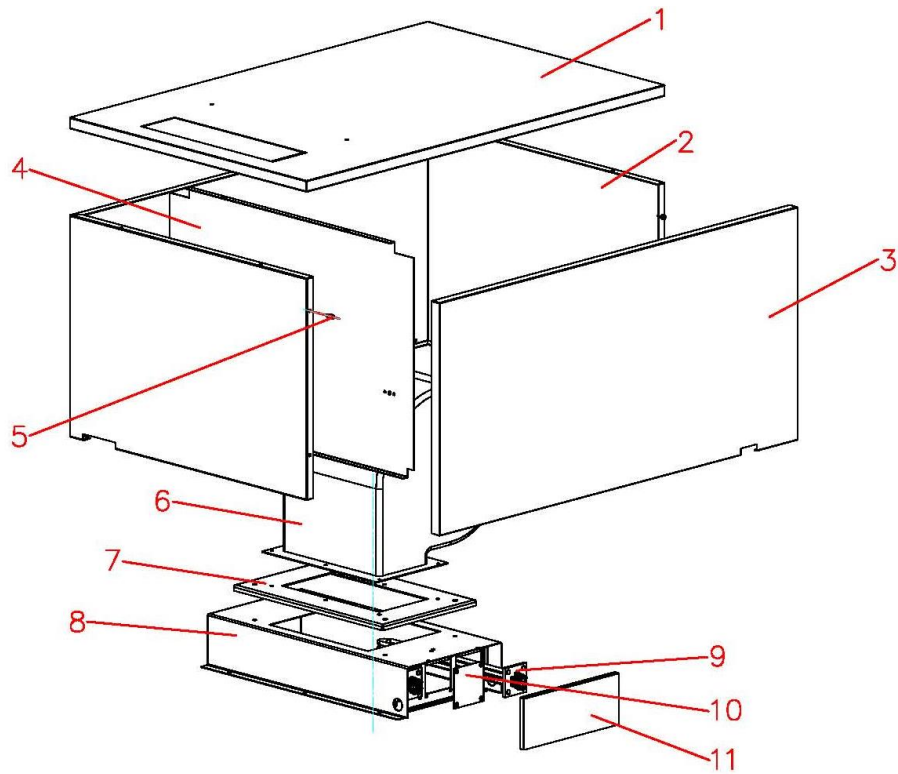


Standard Flight Type Dish Washer, Model: GT-FTC

Steam Dryer Piping

Item No.	Parts Series No.	Parts Name	Qty
1	D009-1/2X3/4-01	Reducing Bend	2
2	D004-3/4X98-01	3/4" S.S. Joint	2
3	D024-1/2X525-01	Flexible Metallic Conduct	2
4	D004-3/4X320-01	3/4" S.S. Joint	2
5	D004-3/4X1300-01	3/4" S.S. Joint	2
6	D004-3/4-01	3/4" S.S. Joint	4
7	G017-AC110V-01	Solenoid Valve	1
8	D016-3/4-01	Strainer	1
9	D004-3/4x140-01	3/4" S.S. Joint	2
10	D009-3/4-01	3/4" S.S. Bend	6

0.75kW Dryer Upper Hood Assembly

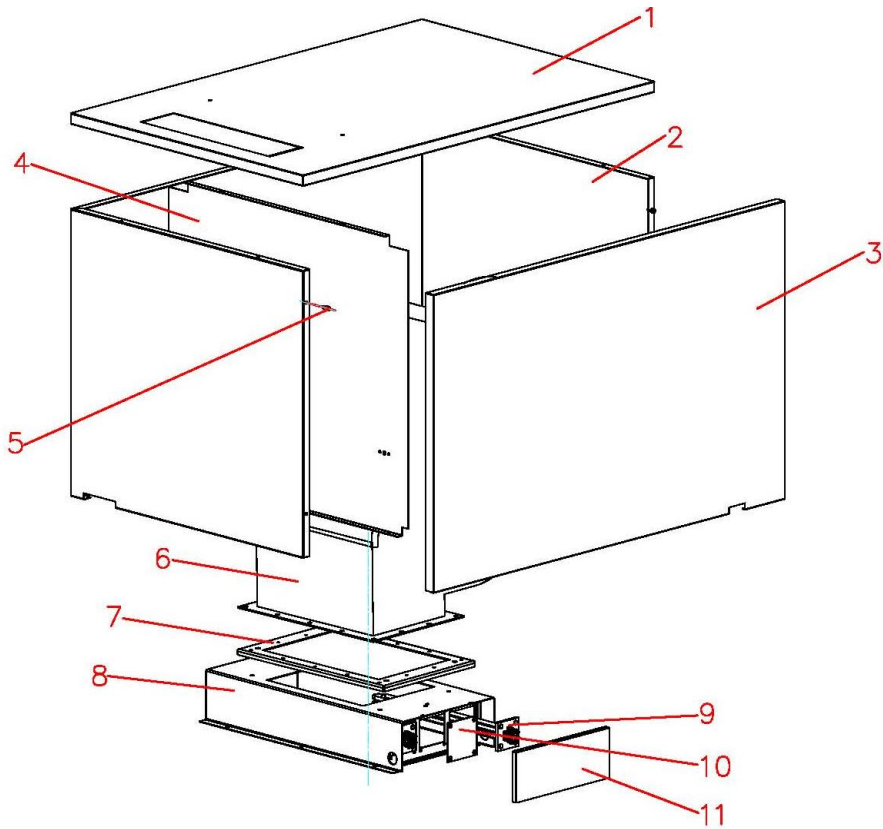


Standard Flight Type Dish Washer, Model: GT-FTC

0.75kW Dryer Upper Hood Assembly

Item No.	Parts Series No.	Parts Name	Qty
1	OCD-H42-302	Top Panel	1
2	OCD-H42-301(L-R) OCD-H42-301(R-L)	Panel	1
3	OCD-H42-308(L-R) OCD-H42-308(R-L)	Cover Board	1
4	OCD-H42-305(L-R)	Panel (Electrical)	1
	OCD-H42-305(R-L)		
	OCZ-H42-305(L-R)	Panel (Steam)	
	OCZ-H42-305(R-L)		
5	A012-H43/301-01	Pile head	16
6	G001-50HZ/0.75KW-01	Draught Fan 0.25-50Hz-0.75kW	1
	G001-60HZ/0.75KW-01	Draught Fan 0.25-60Hz-0.75kW	
7	OCD-H42-303-3	Fan Base	1
8	OCD-H42-303	Heating Element (Electrical)	1
	OCZ-H42-303	Heating Element (Steam)	
9	G005-4.5KW-04	Heating Element 4.5kw – 380V	3
10	OCD-H42-303-5	0.75 kW Shrouding	1
11	OCD-H42-303-4	Cover Board	1

1.5kW Dryer Upper Hood Assembly

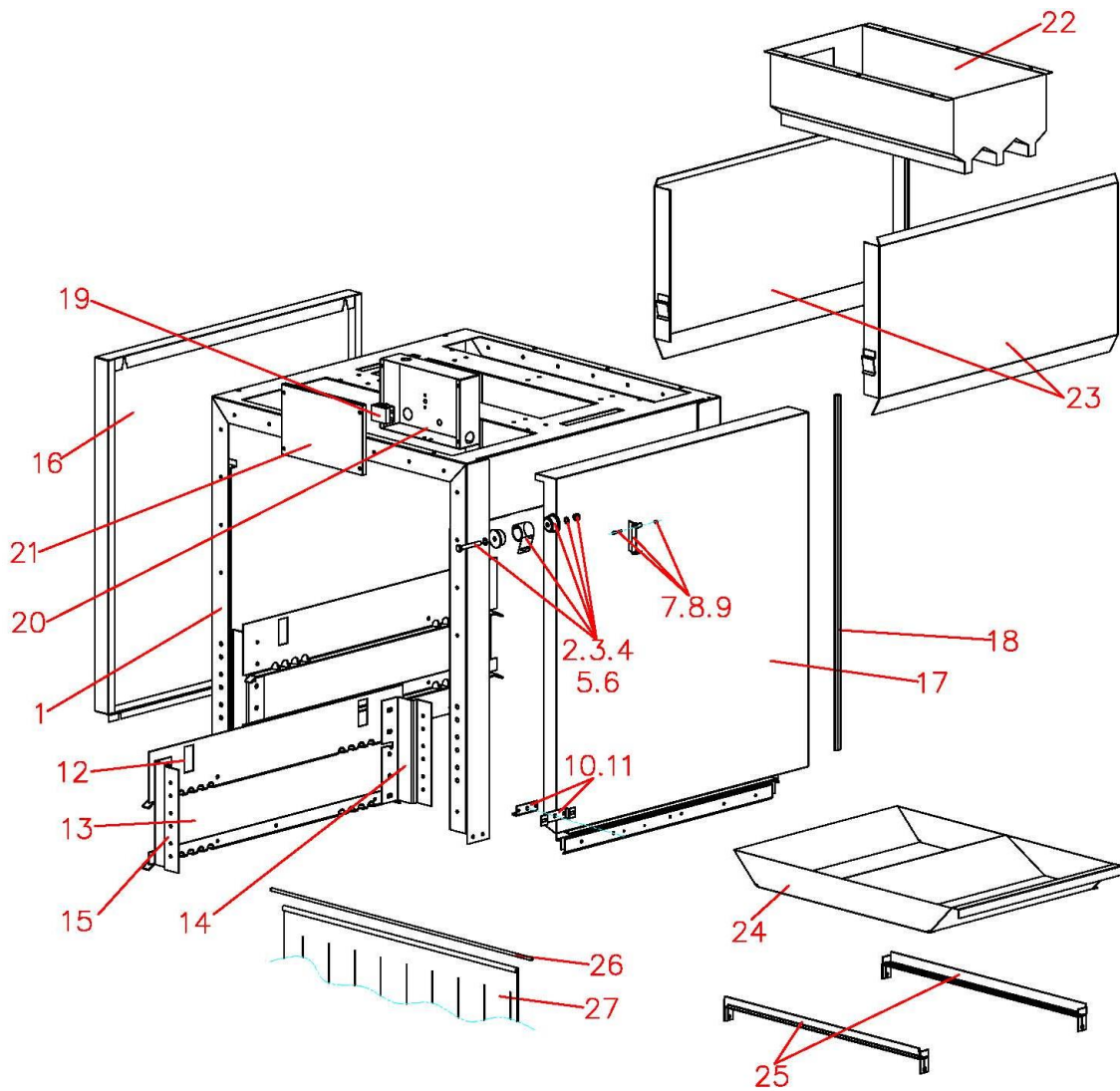


Standard Flight Type Dish Washer, Model: GT-FTC

1.5kW Dryer Upper Hood Assembly

Item No.	Parts Series No.	Parts Series No.	Qty
1	0CD-H42-302	Top Panel	1
2	0CD-H42-301A(L-R) 0CD-H42-301A(R-L)	Panel - Higher	1
3	0CD-H42-308A(L-R) 0CD-H42-308A(R-L)	Cover Board - Higher	1
4	0CD-H42-305A(L-R) 0CD-H42-305A(R-L)	Panel (Electrical – Higher)	1
	0CZ-H42-305A(L-R) 0CZ-H42-305A(R-L)	Panel (Steam – Higher)	
5	A012-H43/301-01	Pile head	16
6	G001-50HZ/1.5KW-01 G001-60HZ/1.5KW-01	Draught Fan 50Hz-1.5kW Draught Fan 60Hz-1.5kW	1
7	0CD-H42-303-3A	1.5 kW Fan Base	1
8	0CD-H42-303	Heating Element (Electrical)	1
	0CZ-H42-303	Heating Element (Steam)	
9	G005-4.5KW-04	Heating Element 4.5KW-380V	3
10	0CD-H42-303-5	Shrouding	1
11	0CD-H42-303-4	Cover Board	1

Dryer Upper Hood

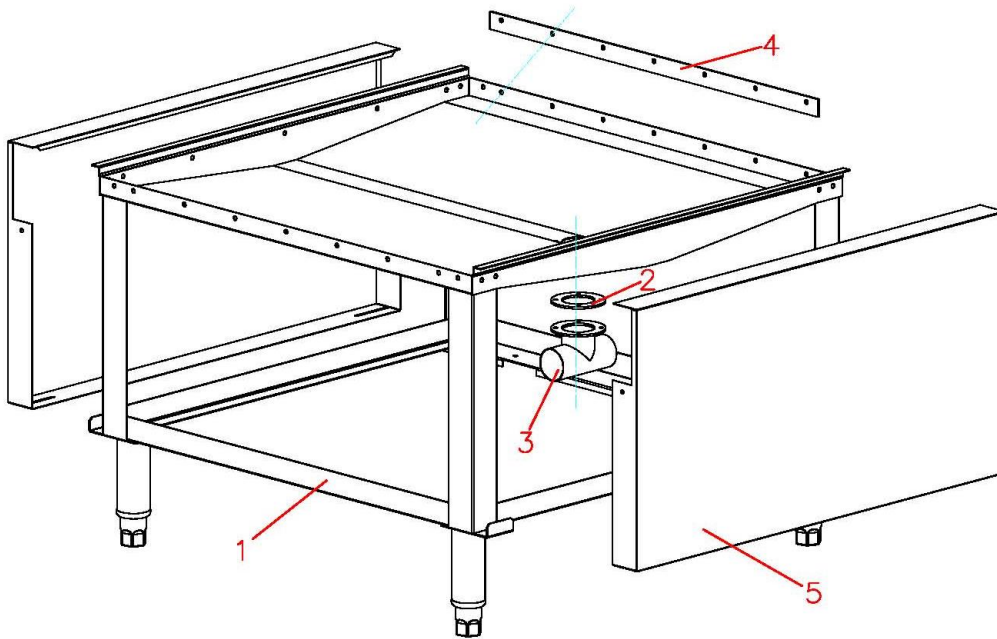


Standard Flight Type Dish Washer, Model: GT-FTC

Dryer Upper Hood

Item No.	Parts Series No.	Parts Series No.	Qty
1	OCD-H41-301(L-R) OCD-H41-301(R-L)	Upper Hood	1
2	E009-M10X70-01	Hex Bolt	2
3	A001-0.4X40-01	Coil Spring	2
4	F015-YQ23/301-01	Coil Springs Set	4
5	E012-M10-01	Flat Washer	2
6	E015-M10-01	Jam Nut	2
7	E010-M5X30-01	Hexagon Socket Screw	1
8	OCD-YQ23-331	Pothead	1
9	E015- M5-01	Jam Nut	1
10	OCD-YQ23-308	Pressing Plate	2
11	OCD-YQ23-307	Permanent Seat	2
12	OCD-YQ25-301	Guide Rail	2
13	OCD-YQ25-302L	Guide Rail	2
14	OCD-YQ25-303L	Support	2
15	OCD-YQ25-303R	Support	2
16	OCD-H43-306	Panel	1
17	OCD-YQ23-303A	Sliding Door	1
18	F003-65326-01	Draw Slip	2
19	G021-70C-01	Temp Control	1
20	OCD-H44-301	Junction Box	1
21	OCD-H44-302	Cover Junction Box	1
22	OCD-H42-304B	Outlet	1
23	OCD-H42-304-7	Drying side guide plate	2
24	OCD-H43-303B	Return Air Box	1
25	OCD-H43-302A	Return air plate bracket	2
26	C004-D6-01	Dead Lever	1
27	F031-CD-02	Curtain	1

Dryer Wash Tank Assembly



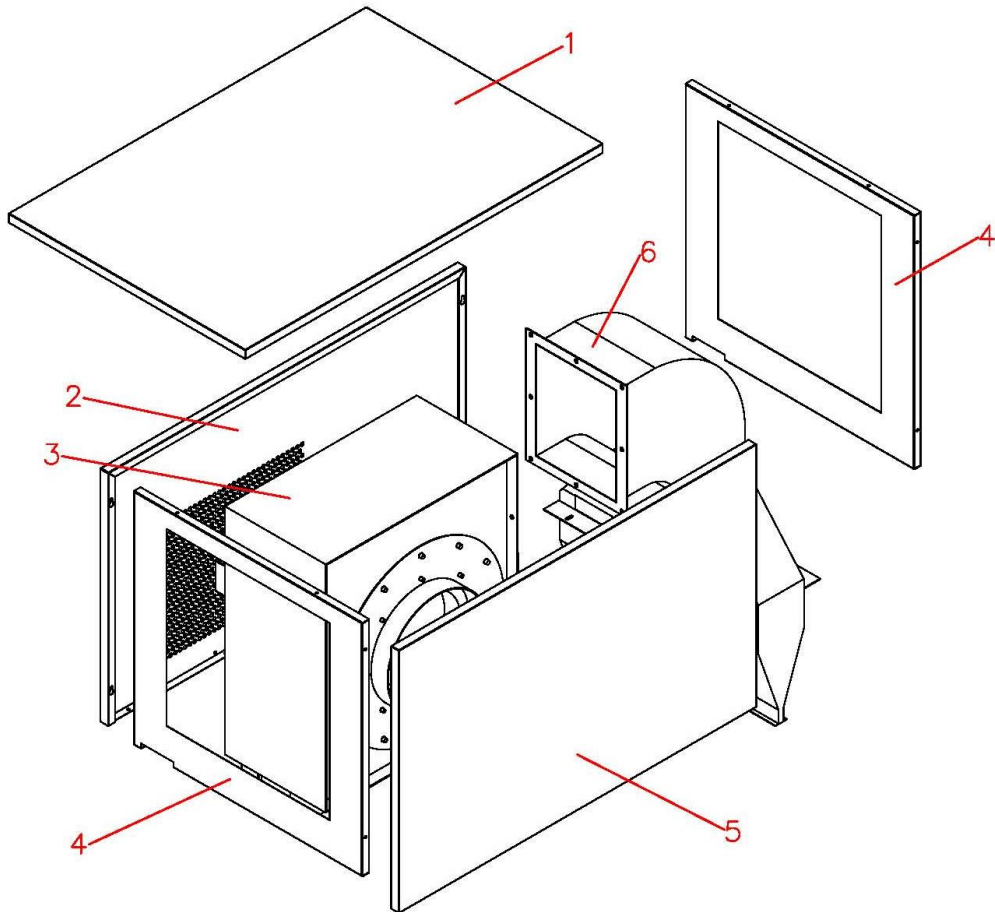
Standard Flight Type Dish Washer, Model: GT-FTC

Dryer Wash Tank Assembly

Item No.	Parts Series No.	Parts Series No.	Qty
1	0CD-H40-301A	Dryer Wash Tank	1
	0CZ-H40-301A(L-R)	Steam Dryer Wash Tank (Left)	
	0CZ-H40-301A(R-L)	Steam Dryer Wash Tank (Right)	
2	F001-60307A-01	Gasket	1
3	0CD-PD39-301	Drain pipe	1
4	0CD-YQ23-313	Batten	2
5	0CD-YQ23-325-1	Panel	2

Standard Flight Type Dish Washer, Model: GT-FTC

冷风段顶部组件 The cold wind section at the top of the



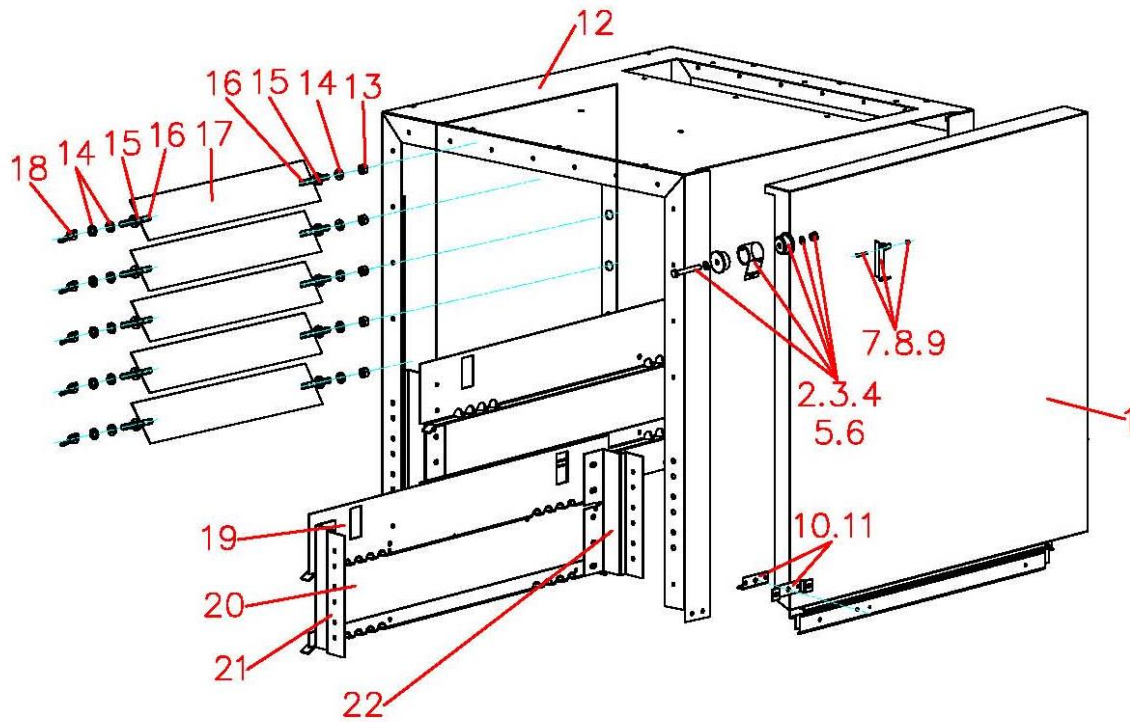
Standard Flight Type Dish Washer, Model: GT-FTC

冷风段顶部组件 The cold wind section at the top of the

Item No.	Parts Series No.	Parts Series No.	Qty
1	0CD-L42-303	Top Panel	1
2	0CD-L42-301-1A(L-R) 0CD-L42-301-1AR-L)	Rear Cover 1100	1
3	G001-2.2KW-03	Taiwan Cooler 2.2KW	1
4	0CD-L42-304-1L(L-R) 0CD-L42-304-1R(L-R)	Side Panel 1100	2
5	0CD-L42-302C	Front Panel 1100	1
6	0CD-L41-301	Wind Knife	1

Standard Flight Type Dish Washer, Model: GT-FTC

冷风段中部组件 Cold air blast Period of



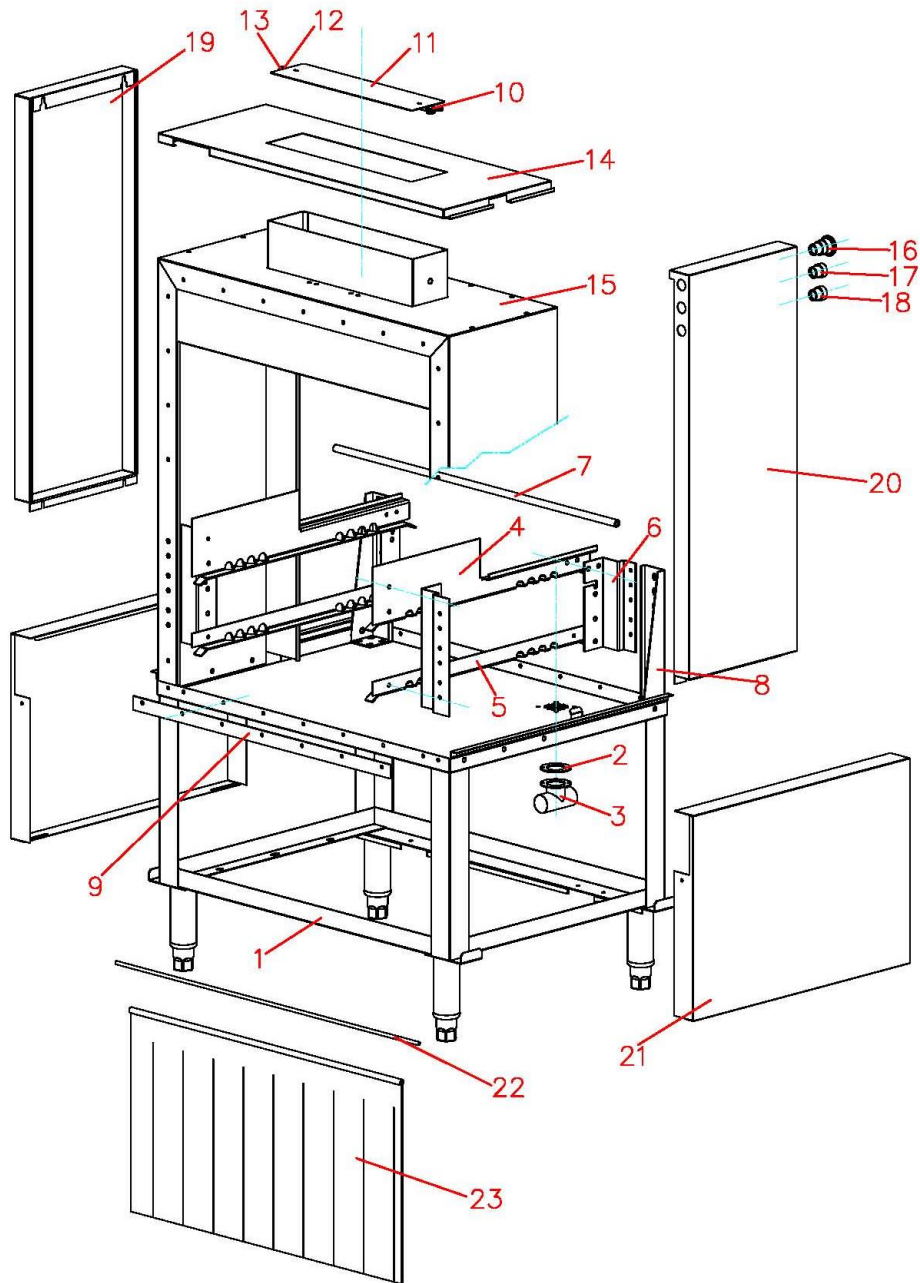
Standard Flight Type Dish Washer, Model: GT-FTC

冷风段中部组件 Cold air blast Period of

Item No.	Parts Series No.	Parts Series No.	Qty
1	0CD-L21-301(L-R) 0CD-L1-301(R-L)	Upper Hood	1
2	E009-M10X70-01	Hex Bolt	2
3	A001-0.4X40-01	Coil Spring	2
4	F015-YQ23/301-01	Coil Springs Set	4
5	E012-M10-01	Flat Washer	2
6	E015-M10-01	Jam Nut	2
7	E010-M5X30-01	Hexagon Socket Screw	1
8	0CD-YQ23-331	Pothook	1
9	E015- M5-01	Jam Nut	1
10	0CD-YQ23-308	Pressing Plate	2
11	0CD-YQ23-307	Permanent Seat	2
12	0CD-L21-301(L-R) 0CD-L21-301(R-L)	Upper Hood	1
13	E015-M10-01	Lock nut	5
14	E012-M10-01	Flat mat	15
15	A012-65304-01	bushing	10
16	A012-65303-01	shaft	10
17	0CD-L21-301-3	louvre blade	5
18	E016-M10-01	The butterfly nut	5
19	0CD-YQ25-301	Guide Rail	2
20	0CD-YQ25-302L	Guide Rail	2
21	0CD-YQ25-303R	Support	2
22	0CD-YQ25-303L	Support	2

Standard Flight Type Dish Washer, Model: GT-FTC

出口上罩及加长段组件 Upper Hood



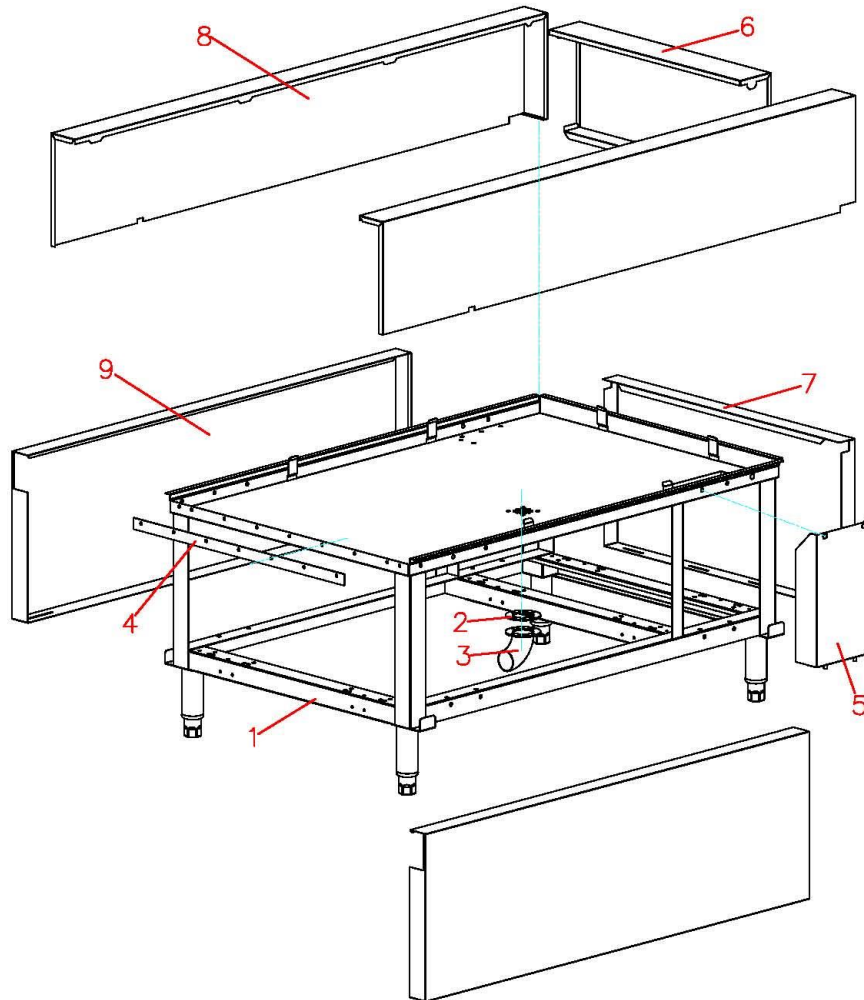
Standard Flight Type Dish Washer, Model: GT-FTC

出口上罩及加长段组件 Upper Hood

Item No.	Parts Series No.	Parts Name	Qty
1	OCD-C50-301	Base (Extra Length 600)	1
2	F001-60307A-01	Gasket	1
3	OCD-PD39-301	Drain pipe	1
4	OCD-C55-301L OCD-C55-301R	Guide Rail	2
5	OCD-PD35-302	Guide Rail	2
6	OCD-C55-303L OCD-C55-303R	Support	2
7	A012-C55/309-01	Guide Support	1
8	OCD-C55-302L OCD-C55-302R	Support	2
9	OCD-YQ23-313	Batten	2
10	A012-J11/303/3A-01	Spindle	1
11	OCD-J11-303-4	Reverse Turning Bed	1
12	A012-J11/303/5-01	Cover	1
13	E015-M8-01	Jam Nut	1
14	OCD-C53-305(L-R) OCD-C53-305(R-L)	Exit Top Panel	1
15	OCD-C51-301(L-R) OCD-C51-301(R-L)	Exit Upper Hood	1
16	G036-BS54C-01	Emergency Stop Switch	1
17	G036-BA331C-01	Switch - Green	1
18	G036-BA432C-01	Switch - Red	1
19	OCD-C53-306	Back Panel	1
20	OCD-C53-307	Front Panel	1
21	OCD-PD33-307A	Lower Panel	2
22	C004-D6-01	Dead Lever	1
23	F031-CD-02	Long Curtain	1

Standard Flight Type Dish Washer, Model: GT-FTC

出口段水箱组件 **The water tank component**

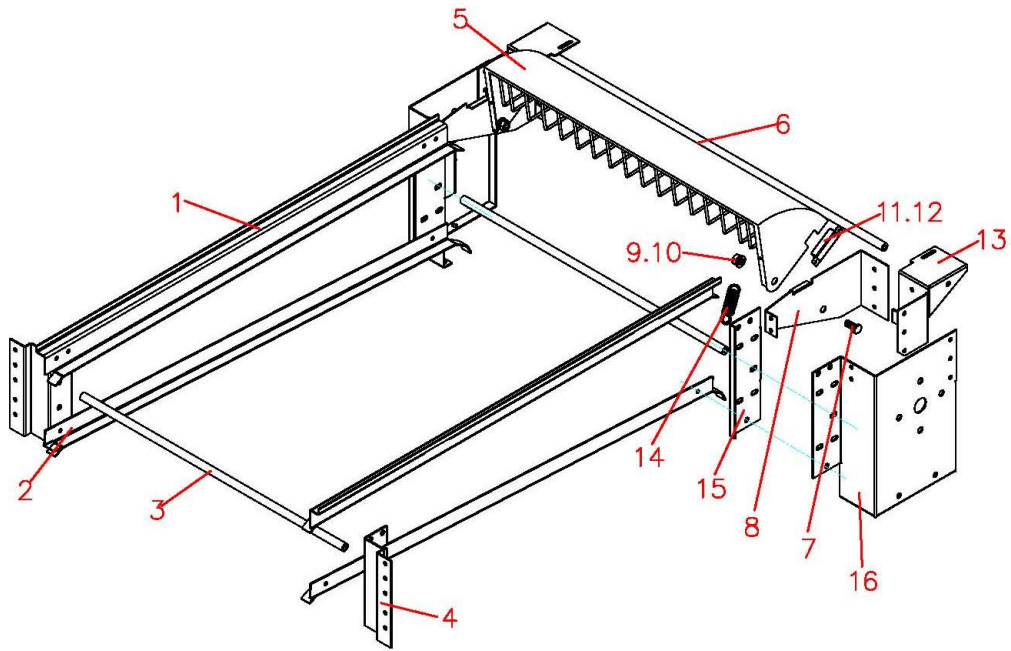


Standard Flight Type Dish Washer, Model: GT-FTC

出口段水箱组件 The water tank component

Item No.	Parts Series No.	Parts Name	Qty
1	OCD-C50A-301(L-R)	1000 Exit Tank	1
	OCD-C50A-301(R-L)		
	OCD-C50B-301(L-R)	1300 Exit Tank	
	OCD-C50B-301(R-L)		
2	F001-60307A-01	Gasket	1
3	OCD-C50A-309	Drain Pipe	1
4	OCD-YQ23-313	Batten	1
5	OCD-30319	Motor Base	1
6	OCD-C53-310	Top Panel	1
7	OCD-C53-311	Top Panel	1
8	OCD-C53A-309L	1000 Exit Panel	2
	OCD-C53A-309R		
	OCD-C53B-309L	1300 Exit Panel	
	OCD-C53B-309R		
	OCD-C53C-309L	1600 Exit Panel	
	OCD-C53C-309R		
OCD-C53D-309L	1900 Exit Panel		
OCD-C53D-309R			
9	OCD-C53A-308L	1000 Exit Lower Panel	2
	OCD-C53A-308R		
	OCD-C53B-308L	1300 Exit Lower Panel	
	OCD-C53B-308R		

出口段导轨组件 Export section of the Guide rail

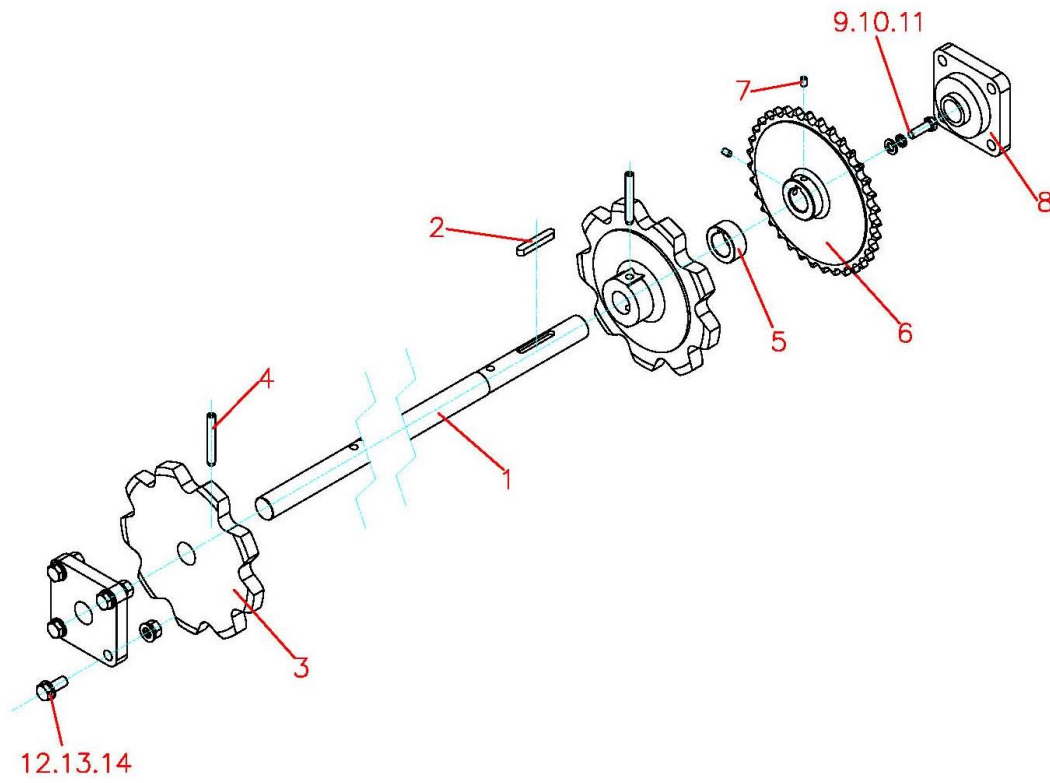


Standard Flight Type Dish Washer, Model: GT-FTC

出口段导轨组件 Export section of the Guide rail

Item No.	Parts Series No.	Parts Name	Qty
1	0CD-C55A-305L 0CD-C55A-305R	1000 Upper Guide Rail	2
	0CD-C55B-305L 0CD-C55B-305R	1300 Upper Guide Rail	
	0CD-C55C-305L 0CD-C55C-305R	1600 Upper Guide Rail	
	0CD-C55D-305L 0CD-C55D-305R	1900 Upper Guide Rail	
	0CD-C55A-304L 0CD-C55A-304R	1000 Lower Guide Rail	
	0CD-C55B-304L 0CD-C55B-304R	1300 Lower Guide Rail	
2	0CD-C55C-304L 0CD-C55C-304R	1600 Lower Guide Rail	2
	0CD-C55D-304L 0CD-C55D-304R	1900 Lower Guide Rail	
3	0CD-C55-308	Guide Support	2
4	0CD-C55-303L 0CD-C55-303R	Support	2
	0CD-C53-302	Exit Panel	
6	A012-C55/309-01	Support Shaft	1
7	A012-C53/302/3-01	Pins	2
8	0CD-C53-302-2L 0CD-C53-302-2R	Fixed Mount	2
	E012-M10-01	Flat Washer	
10	E015-M10-01	Jam Nut	2
11	A005-10x17x51-01	Magnet	1
12	0T2D-65318-8	Magnet Housing	1
13	0CD-C55-312L 0CD-C55-312R	Support	1
	A002-C53/302/4-01	Spring	
15	0CD-C55-311L 0CD-C55-311R	Support	2
	0CD-C55-310L 0CD-C55-310R	Support Seats	

出口链轮组件 Export chain wheel

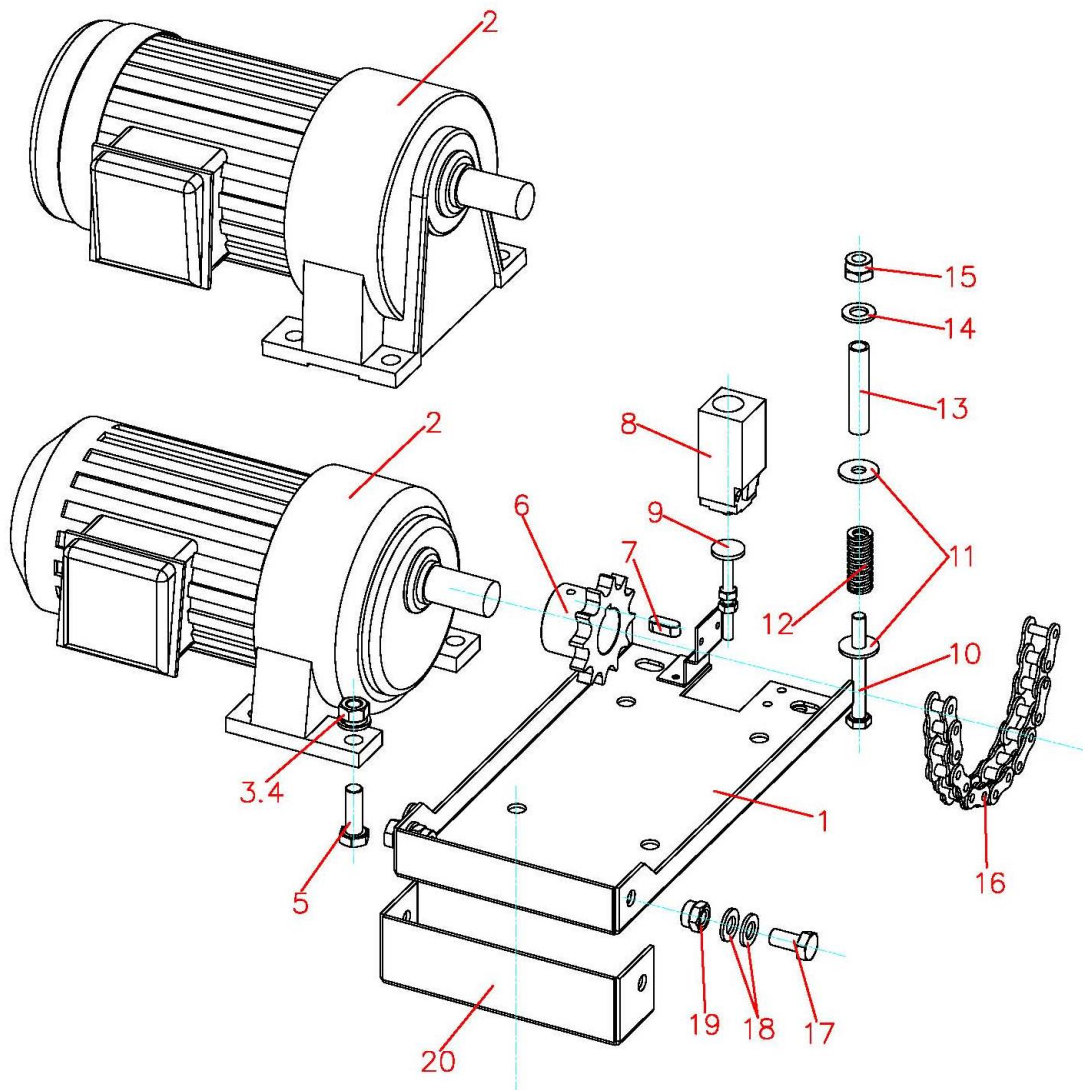


Standard Flight Type Dish Washer, Model: GT-FTC

出口链轮组件 Export chain wheel

Item No.	Parts Series No.	Parts Name	Qty
1	A012-30301-01	Transmission Shaft	1
2	E020-8*50-01	Flat Key	1
3	F027-30305-01	Chain Wheel	2
4	A006-M8X70-01	Volume Sales	2
5	A012-30314-01	Gasket	1
6	A012-30302A-01	Passive Sprocket	1
7	E010- M6x10-01	Hex Bolt	2
8	A010-SUCF205-01	Dead Plate	2
9	E009-M8x25-01	Hex Bolt	1
10	E011-M8-01	Spring Washer	1
11	E012- M8-01	Flat Washer	1
12	E009-M10x30-01	Hex Bolt	8
13	E011-M10-01	Spring Washer	8
14	E012-M10-01	Flat Washer	8

Conveyor Motor Assembly

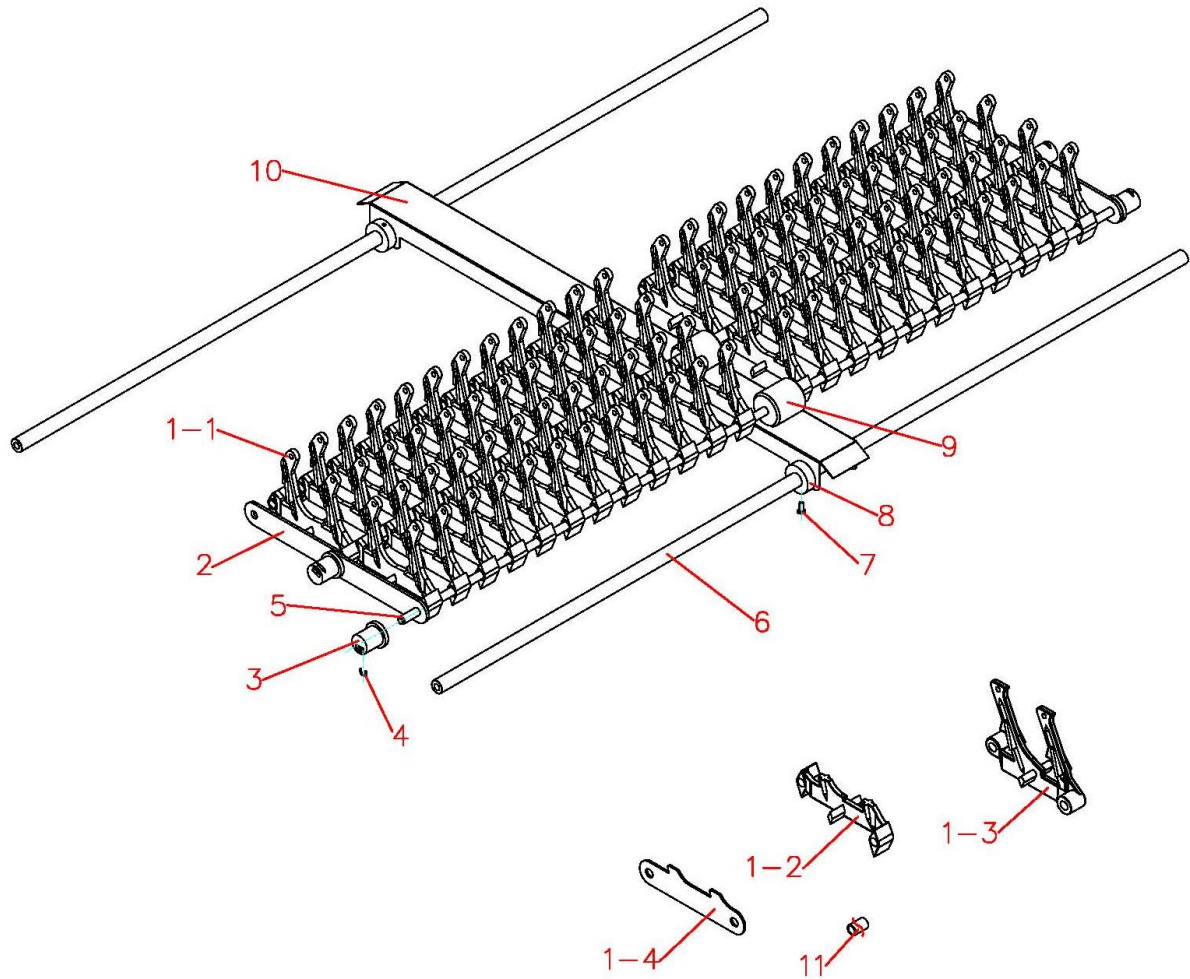


Standard Flight Type Dish Washer, Model: GT-FTC

Conveyor Motor Assembly

Item No.	Parts Series No.	Parts Name	Qty
1	OCD-30316	Motor Base	1
2	G004-0.55X40S-01	Motor-ZL28-0.55-40S	1
	G004-0.55X57S-01	Motor-ZL28-0.55-57S	
	G004-0.55X57S-02	Motor-NCH28-0.55-40S	
	G004-0.55X57S-02	Motor-NCH28-0.55-57S	
3	E013-M10-01	Hex Bolt	4
4	E011- M10-01	Spring Washer	4
5	E009-M10X25-01	Hex Bolt	4
6	A009-1X12T-01	Drive Sprocket	1
7	E020-7X7X35-01	Flat Key	1
8	G034-N2110P20C-01	Limit Switch	1
9	0T2D-60314	Stents	1
10	E010-M8x55-01	Hex Bolt	1
11	E012-M22XD8-01	Flat Washer	2
12	A002-60312-01	Compressed Spring	1
13	A012-60313-01	Fixed Set	1
14	E012-M8-01	Flat Washer	1
15	E015-M8-01	Jam Nut	1
16	A008-1X72L-01	Chain	1
17	E009- M10X20-01	Hex Bolt	2
18	E012-M10-01	Flat Washer	8
19	E015-M10-01	Jam Nut	2
20	OCD-30315	Motor Base	1

Conveyor Belt Assembly

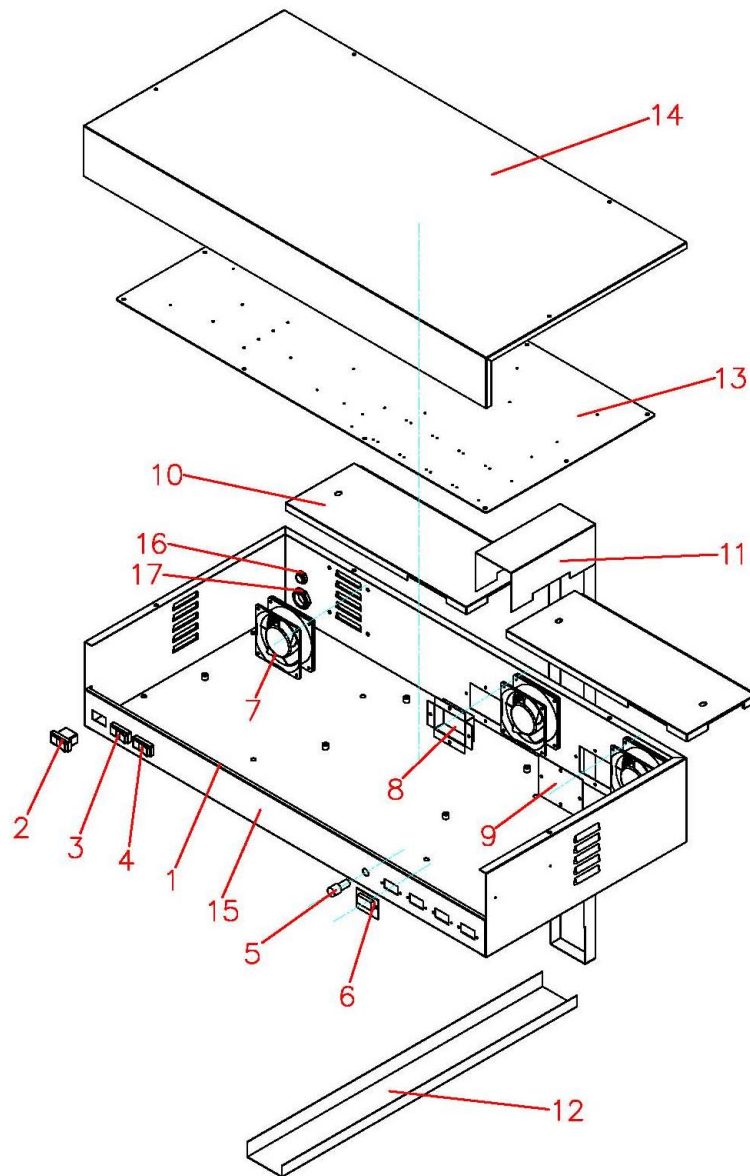


Standard Flight Type Dish Washer, Model: GT-FTC

Conveyor Belt Assembly

Item No.	Parts Series No.	Parts Name	Qty
1-1	F032-30309-01	爪刺-Pegs	
1-2	F032-30309A-01	平刺- Pegs	24
1-3	F032-30309B-01	爪刺- Pegs	
1-4	OCD-30306A	高刺-Pegs	
2	OCD-30306	Junction Plate	2
3	F028-30308-01	Idler Wheel	2
4	E019-M5-01	Split Washer	2
5	A012-30307-11	Chain Pin	1
6	OCD-C55-308	Guide Support	1
7	E010-M4X12-01	Hex Bolt	2
8	A012-DG/302-01	Locating Pin	1
9	F026-DG/303-01	Idler Wheel	1
10	OCD-DG-304	入口+清洗导轨	1
	OCD-DG-305	清洗导轨	
	OCD-DG-306	单喷淋导轨	
	OCD-DG-307	1300 出口导轨	
	OCD-DG-308	1000 出口导轨	
11	D033-D8X10-01	Teflon tube	1

Electrical Control Panel



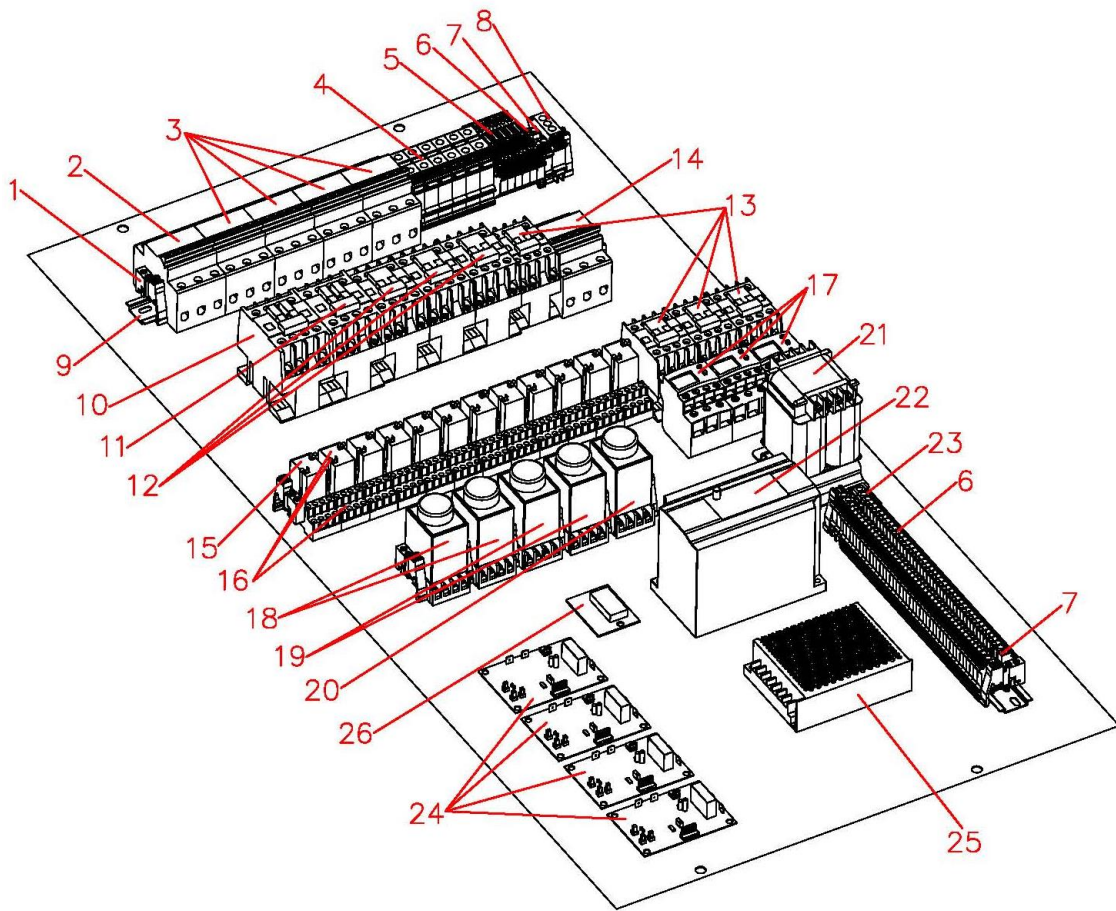
Standard Flight Type Dish Washer, Model: GT-FTC

Electrical Control Panel

Item No.	Parts Series No.	Parts Name	Qty
1	0CD-70301	Control Panel Base	1
2	G034-CD-03	Power Switch	1
3	G034-CD-01	Starting Switch	1
4	G034-CD-04	Trip Switch Selector	1
5	G035-D16/220V-01	Switch – Green	1
6	G014-WZJ/4010/3-01	Temp Indicator Light	3
7	G025-BALL-01	Axial Flow Fan	3
8	0CD-70307	Exit Board	1
9	0CD-70304	Shrouding	1
10	0CD-PD33-309(L-R)	Top Panel	2
	0CD-PD33-309(R-L)	Top Panel(Short)	
	0CD-PD33-310(R-L)	Top Panel (Long)	
11	0CD-70305	走线槽	1
12	0CD-70306	走线槽	1
13	0CD-70303 JX	电器板（机械）	1
	0CD-70303 DZ	电器板（电子）	
14	0CD-70302	Control Panel Cover	1
15	G031-CD-01	Operation panel	1
16	G030-PG16-01	Wave pipe joint	1
17	G029-PG42-01	Fixed head	1

Electrical Control Panel (Hong Kong)

(Double Tank Double Rinse)



Standard Flight Type Dish Washer, Model: GT-FTC

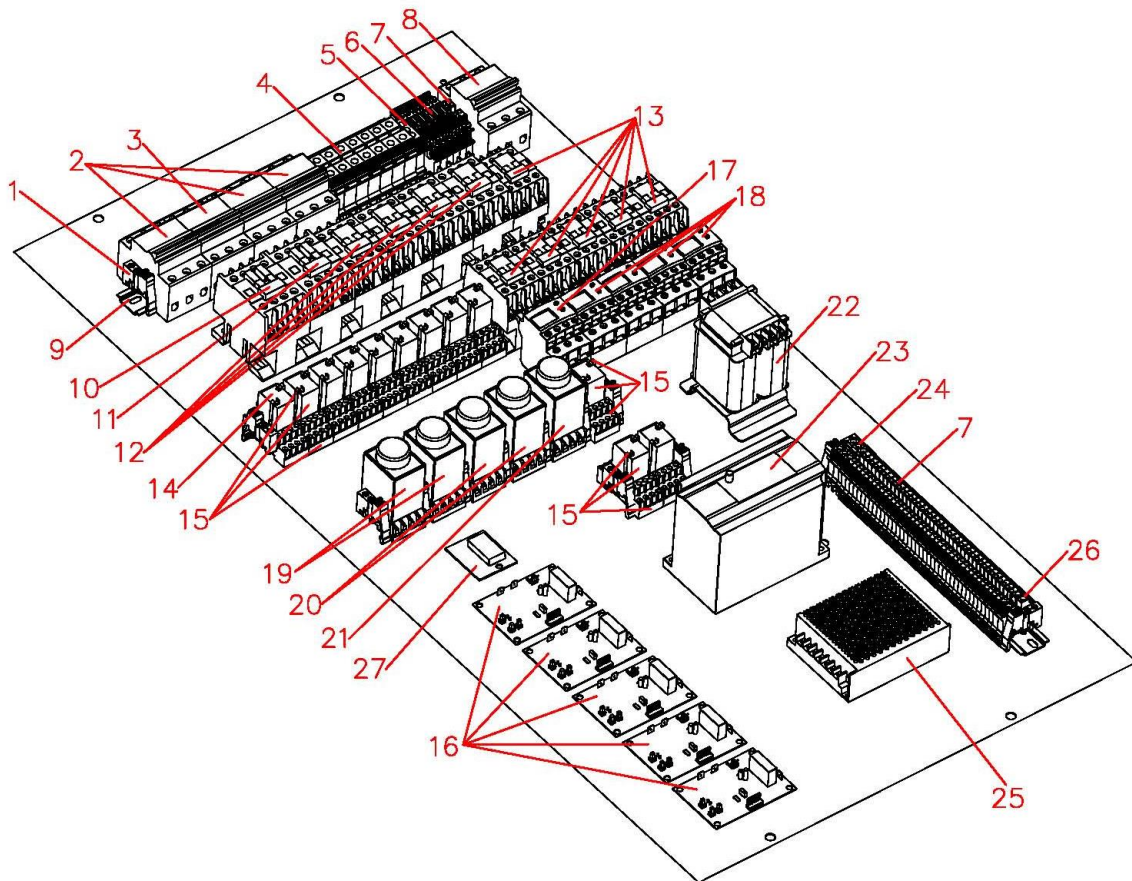
Electrical Control Panel (Hong Kong)

(Double Tank Double Rinse)

Item No.	Parts Series No.	Parts Name	Qty
1	G042-2G2-01	Track Holder	13
2	G009-D63A-01	Circuit Breaker D63A	1
3	G009-D40A-01	Circuit Breaker D40A	4
4	G041-35N-01	Wiring Terminal	7
5	G041-4RD-01	Fuses	6
6	G041-4-01	Wiring Terminal	40
7	G041-6-01	Wiring Terminal	3
8	G041-35JD-01	Wiring Terminal	1
9	G047-DG-01	Guide Rail	3 m
10	G007-E65F5N-01	Contactactor E65F5N	1
11	G007-E40F5N-01	Contactactor E40F5N	1
12	G007-E32010F5N-01	Contactactor E3201F5N	3
13	G007-E0610F5N-01	Contactactor	5
14	G009-D20A-02	Circuit Breaker D20A	1
15	G012-DC12V-02	Relay-RXM4LB2JD	1
16	G012-F7-02	Relay-RXM4LB2F7	10
	G028-RXZE1M4C-01	Relay Base	11
	G012-RXZ410-01	Fixed button	22
17	G010-10KN-02	Wash Pump Over-Load Control	3
18	G011-6M/AC110V-01	Timer 6M	2
19	G011-60S/AC110V-01	Timer 60S	2
20	G011-3M/AC110V-01	Timer 3M	1
21	G016-300V-01	Transformer 300V	1
22	G015-220V-01	Inverter 200V	1
23	G041-6JD-01	Wiring Terminal	3
24	G014-4010-02	Control Circuit Board	4
25	G034-KGDY-01	Switching power supply	1
26	G014-WZJ/4010/3-01	Temp Display Board	1

Electrical Control Panel

(Three Tank Double Rinse)



Standard Flight Type Dish Washer, Model: GT-FTC

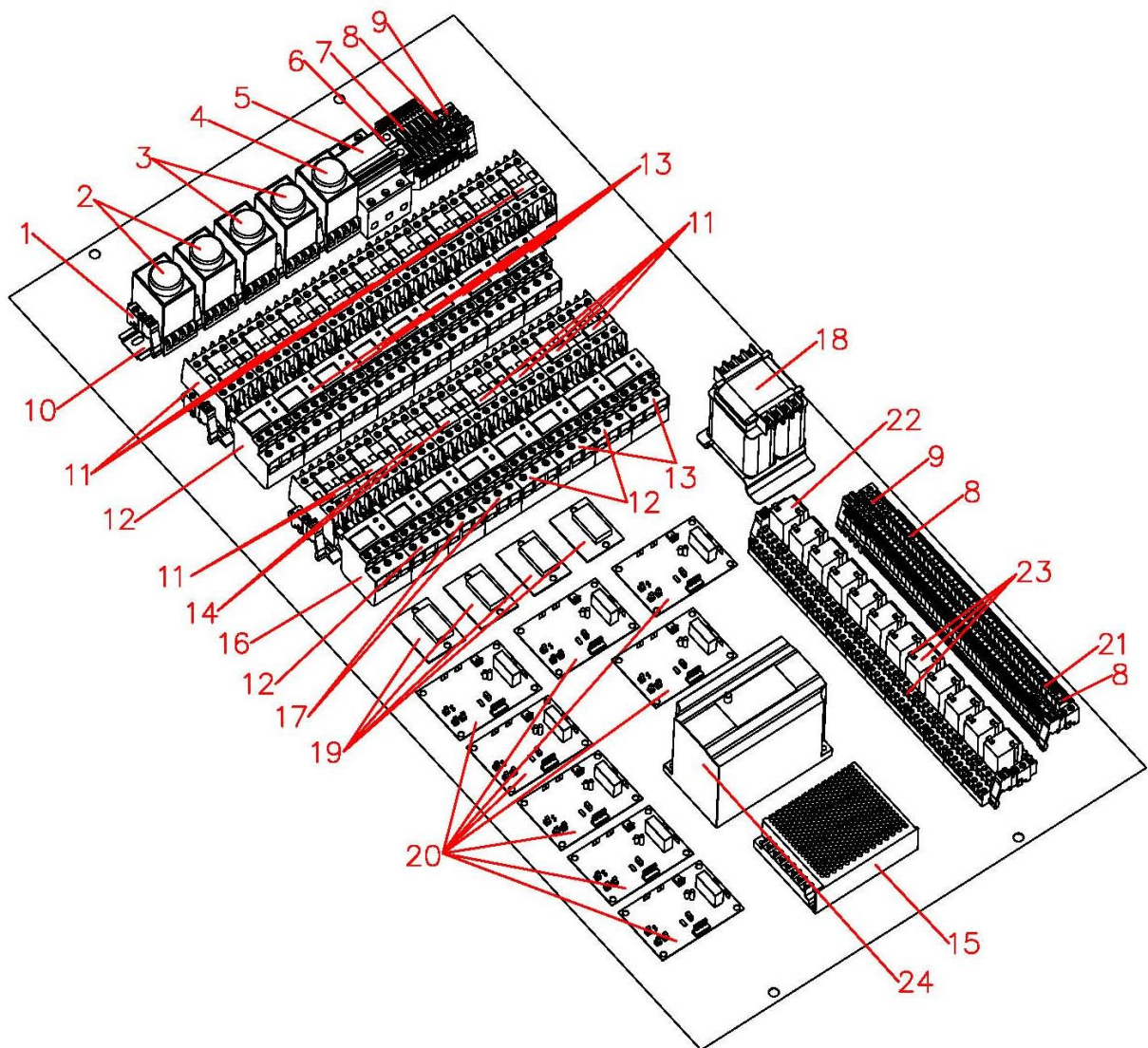
Electrical Control Panel

(Three Tank Double Rinse)

Item No.	Parts Series No.	Parts Name	Qty
1	G042-2G2-01	Track Holder	13
2	G009-D63A-01	Circuit Breaker-D63A	3
3	G009-D40A-04	Circuit Breaker-D40A	1
4	G041-35N-01	Wiring Terminal	7
5	G041-35JD-01	Wiring Terminal	1
6	G041-4RD-01	Fuses	6
7	G041-4-01	Wiring Terminal	41
8	G009-D20A-02	Circuit Breaker-D20A	1
9	G047-DG-01	Guide Rail	3 m
10	G007-E65F5N-01	Contactoer-LC1E65F5N	1
11	G007-E40F5N-01	Contactoer-LC1E40F5N	1
12	G007-E32010F5N-01	Contactoer-E3201F5N	4
13	G007-E0610F5N-01	Contactoer-E0610F5N	4
14	G012-DC12V-02	Relay 12V	1
15	G012-F7-02	Relay 110V	11
	G028-RXZE1M4C-01	Relay Base	12
	G012-RXZ410-01	Fixed button	24
16	G014-4010-02	Control Circuit Board	5
17	G010-05N-02	Wash Pump Over-Load Control	1
18	G010-10KN-02	Wash Pump Over-Load Control	4
19	G011-6M/AC110V-01	Timer-6M	2
20	G011-60S/AC110V-01	Timer-60S	2
21	G011-3M/AC110V-01	Timer-60S	1
22	G016-300V-01	Transformer 300V	1
23	G015-220V-01	Inverter 220V	1
24	G041-6JD-01	Wiring Terminal	3
25	G034-KGDY-01	Switching power supply	1
26	G041-6-01	Wiring Terminal	2
27	G014-WZJ/4010/3-01	Indicator Light	1

Standard Flight Type Dish Washer, Model: GT-FTC

.三缸双喷三双烘带双冷风双泵带侧喷
配热交换蒸汽加宽 114 长龙机 145012-13



Standard Flight Type Dish Washer, Model: GT-FTC

电器控制组件 (香港) Electrical control cabinet (Hong Kong) **145012-13**

Item No.	Parts Series No.	Parts Name	Qty
1	G042-2G2-01	Track Holder	13
2	G011-60S/AC110V-01	Timer-60S	2
3	G011-6M/AC110V-01	Timer-6M	2
4	G011-3M/AC110V-01	Timer-3M	1
5	G009-D63A-01	Circuit Breaker-D63A	1
6	G041-35N-01	Wiring Terminal	1
7	G041-4RD-01	Fuses	6
8	G041-4-01	Wiring Terminal	44
9	G041-6JD-01	Wiring Terminal	5
10	G047-DG-01	Guide Rail	3 m
11	G007-E0610F5N-01	Contactor-LC1-E0610F5N	15
12	G010-08N-02	Wash Pump Over-Load Control	4
13	G010-10KN-02	Wash Pump Over-Load Control	9
14	G007-E0910F5N-01	Contactor-LC1-E0910F5N	2
15	G034-KGDY-01	Switching power supply	1
16	G010-05N-02	Wash Pump Over-Load Control	1
17	G010-14KN-02	Wash Pump Over-Load Control	2
18	G016-300V-01	Transformer 300V	1
19	G014-WZJ/4010/3-01	Temp Display Board	4
20	G014-4010-02	Control Circuit Board	8
21	G041-6-01	Wiring Terminal	2
22	G012-DC12V-02	Relay-RXM4LB2JD	1
	G012-F7-02	Relay-RXM4LB2F7	11
23	G028-RXZE1M4C-01	Replay Base	12
	G012-RXZ410-01	Fixed Button	24
24	G015-220V-01	Inverter	1