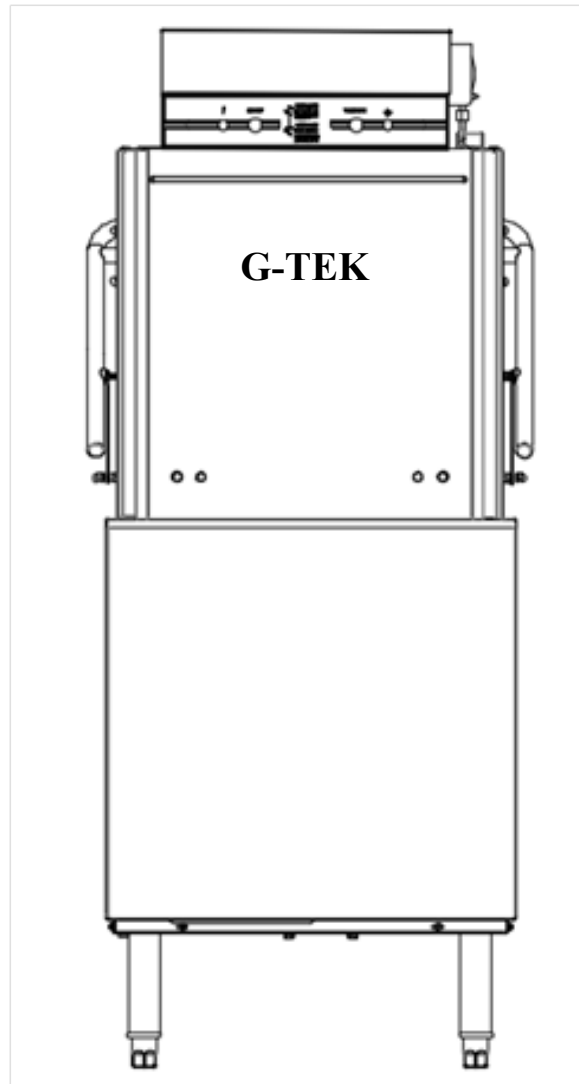


Door Type
Dish Washer
Model:
D1M/BD

Global-Tek Machinery Pte Ltd

Model: GT-D1M/BD

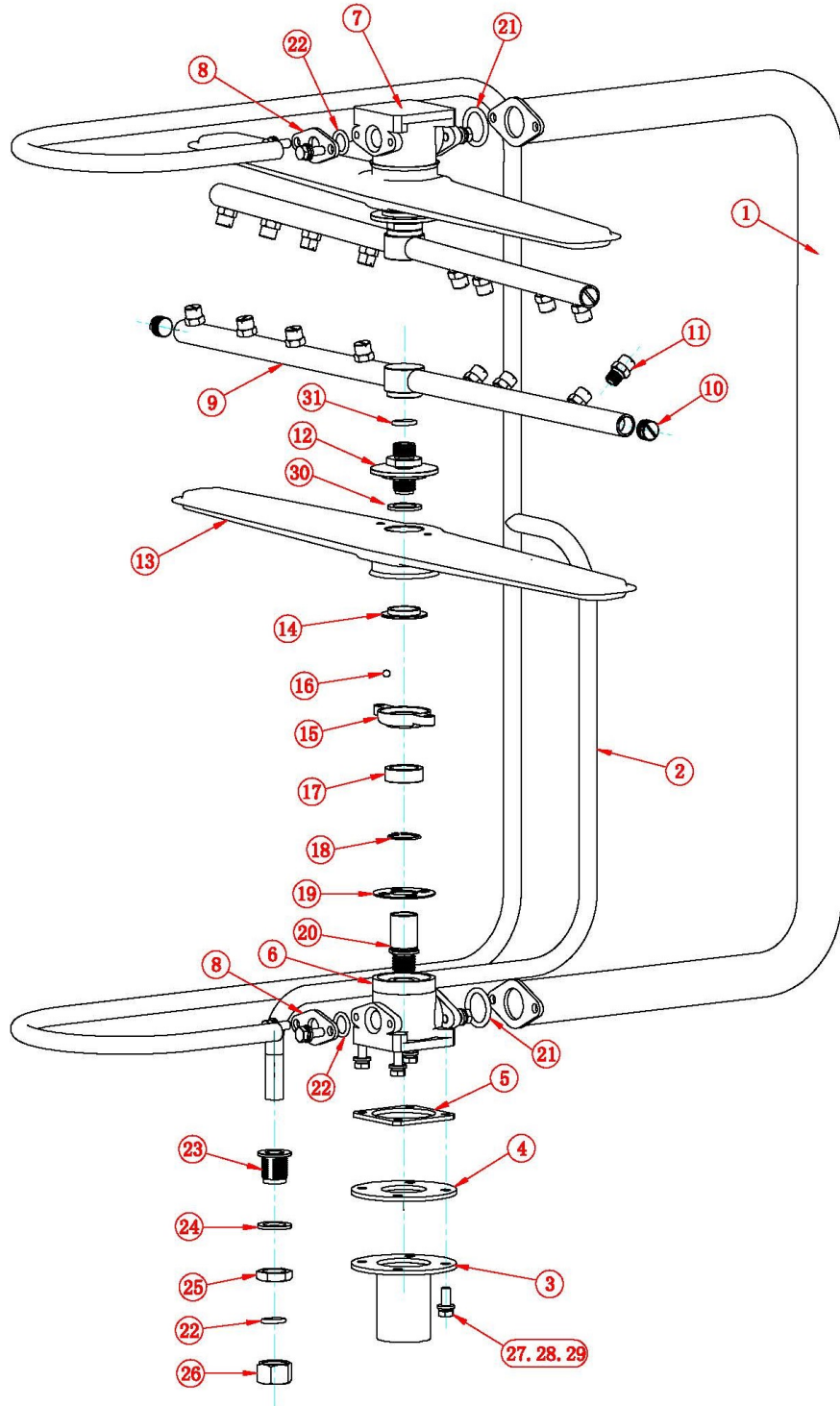
Door Type Dish Washer Parts Manual



CONTENT

- **Wash and Rinse Arm Assembly.....3-4**
- **Booster Heater.....5-6**
- **Wash Chamber.....7-8**
- **Door Lift.....9-10**
- **Lower Frame Assembly.....11-12**
- **Wash chamber & Lower Frame Assembly.....13**
- **Wash Tank Assembly.....14-15**
- **Door Panel Assembly.....16-17**
- **Top Mounted Control Panel.....18-19**
- **Mechanical Control Panel.....20-21**

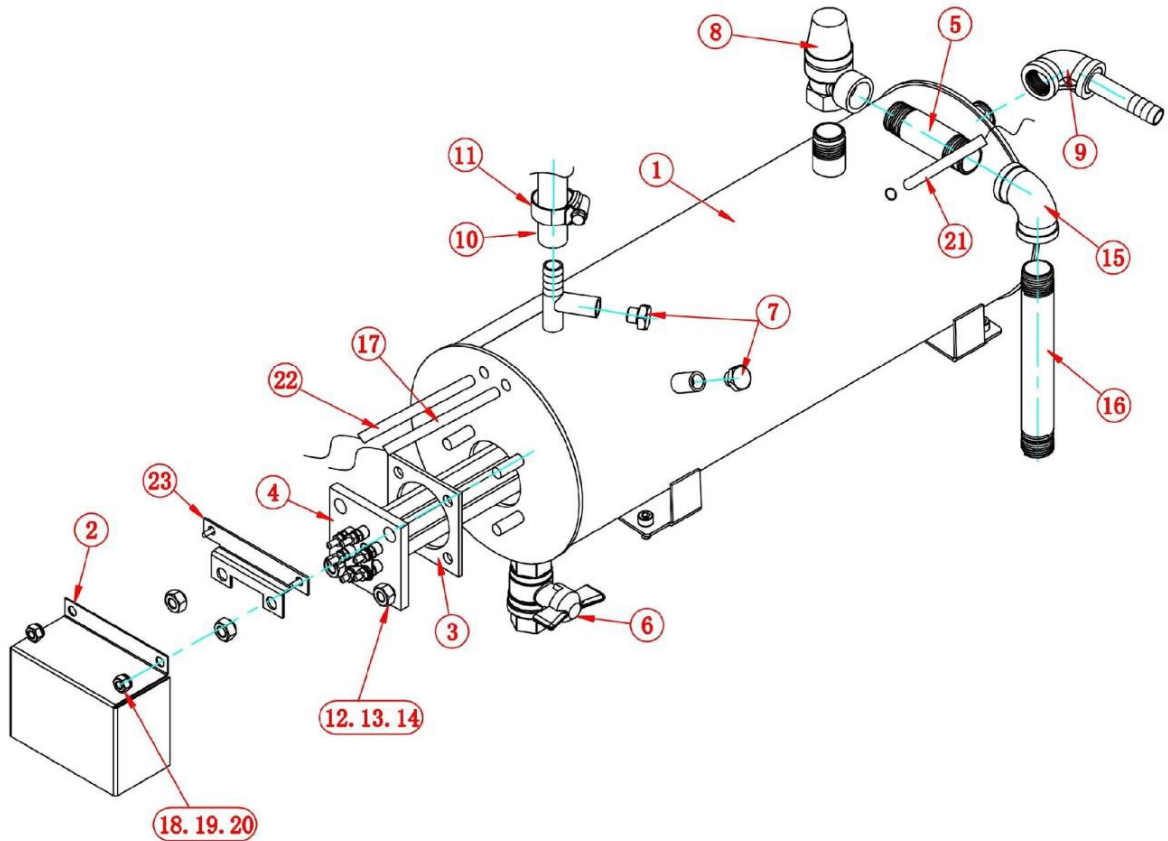
Wash And Rinse Arm Assembly



Wash And Rinse Arm Assembly

<u>Item No.</u>	<u>Parts No.</u>	<u>Part Name</u>	<u>Qty</u>
1	0JD-50301	Wash Piping Assy	1
2	0JD-50302	Rinse Piping Assy	1
3	0JD-50306	Adapter Connector	1
4	F001-50319-01	Lower Manifold Gasket (Round)	1
5	F001-50308B-01	Upper Manifold Gasket (Square)	1
6	A012-50305/1A-01	S/S Lower Manifold	1
7	A012-50305/2A-01	S/S Upper Manifold	1
8	0JD-50302-3A	Flange	2
(9-12)	0PJ-JD-PLB	Rinse Arm Complete Set	1
9	0JD-50311	Rinse Arm only w/o nozzle & end cap	2
10	A012-50311/5A-01	Rinse Arm End Cap	4
11	A012-50311/6-03	S/S Rinse Nozzle	16
(12-15)	0PJ-JD-PB	Wash Arm Complete Set	1
12	0JD-50311-7	Bearing (Btw Wash & Rinse Arm)	2
13	0JD-50310	Wash Arm Only	2
14	A012-50310/2-01	Bearing Retainer	2
15	A012-50310-01	Bearing Body	2
16	A007-D5-01	Ball Bearing (total: 17pcs)	34
17	F017-50309-01	Spacer	1
18	E019-M18-01	Spring Washer	1
19	0JD-50307	Flow Restrictor	1
20	A012-50304/2-01	S/S Rinse Arm Thread Bushing	2
21	F002-21.2x3.55-01	Rinse Manifold O Ring (Rear)	2
22	F002-12.5x2.65-01	Rinse Manifold O Ring (Front)	3
23	A012-50312-01	Bushing	1
24	F017-2xD18xD25-01	Gasket	1
25	A012-50313-01	Nut	1
26	A012-50314-01	Coupling	1
27	E010-M6x20-01	Bolt M6x20	12
28	E011-M6-01	Spring Washer	12
29	E012-M6-01	Flat Washer	12
30	F001-50320-01	Gasket	2
31	F002-20x1.8-01	O Ring	2

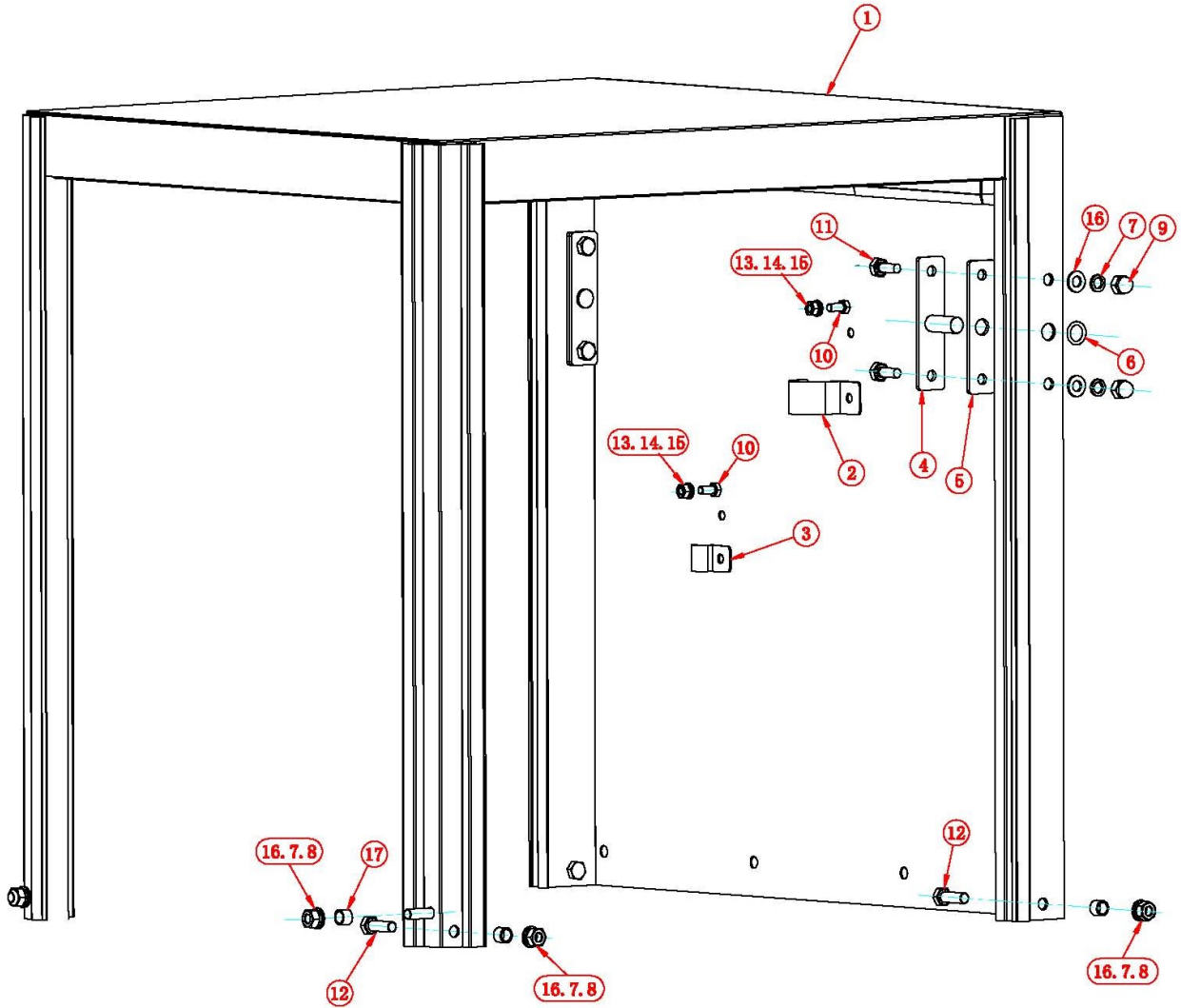
Booster Heater



Booster Heater

<u>Item No.</u>	<u>Parts No.</u>	<u>Parts Name</u>	<u>Quantity</u>
1	0JD-40A-301	Booster Cylinder Tank w/insulation	1
2	0JD-40A-301-8A	Cover	1
3	F001-40309-01	Gasket	1
4	G005-9KW-02	9kW Heater (380V)	1
5	D004-1/2X85-01	1/2" S.S. Joint	1
6	D018-1/2 -01	1/2" Drain Valve	1
7	D026-1/8-01	Hole Plug	2
8	D023-3BAR-01	Pressure Relief Valve	1
9	D009-1/2-01	1/2" S.S Elbow	1
10	F021-50310/3A-01	Rubber Hose	1
11	E018-11x25-01	Hose Clip 11x25	4
12	E013-M8-01	Hexagonal Nut	4
13	E011-M8-01	Spring Washer	4
14	E012-M8-01	Flat Washer	4
15	D009-1/2-01	1/2" S.S. Elbow	1
16	D004-1/2x150-01	15 cm, 1/2" S.S. Joint Piping	1
17	G021-110C-01	Booster Thermostat 110 C	1
18	E013-M6-01	Hexagonal Nut	2
19	E011-M6-01	Spring Washer	2
20	E012-M6-01	Flat Washer	2
21	G021-86C-01	Booster Thermostat 86 C	1
22	G065-WZJ1020-02	Temp Display Board Probe (Red / Black)	1
23	0JD-40A-301-7B	Heater Bracket	1

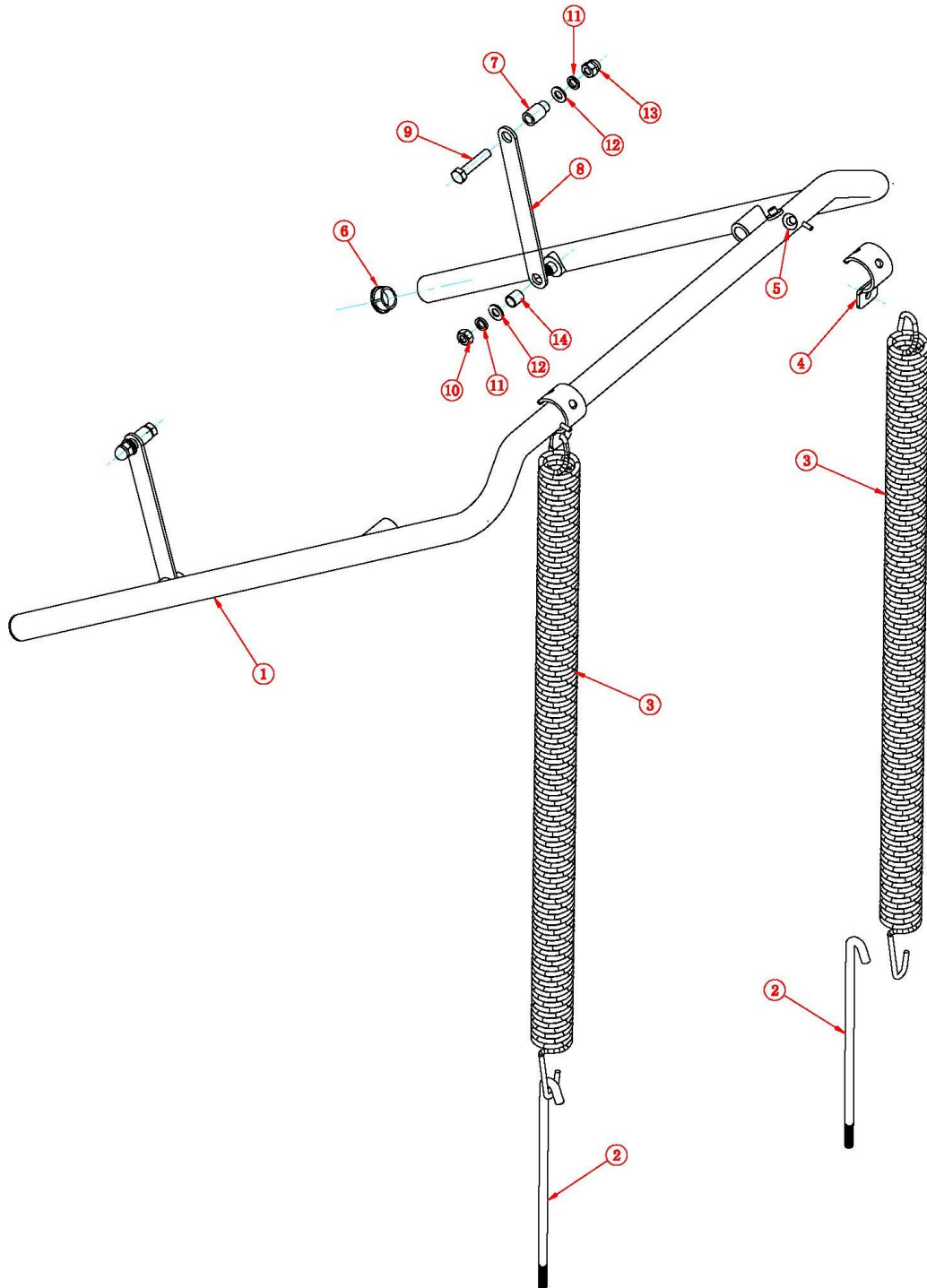
Wash Chamber



Wash Chamber

<u>Item No.</u>	<u>Parts No.</u>	<u>Part Name</u>	<u>Qty</u>
1	0JD-20000A	Upper Hood	1
2	0JD-65317	Clip	1
3	0JD-65318	Clip	1
4	0JD-25307	Handle Pivot	2
5	F001-25311-01	Sealing Gasket	2
6	E012-M12-01	Washer	2
7	E011-M8-01	Split Washer M8	8
8	E013-M8-01	Bolt M8	6
9	E014-M8-01	Hex Domed Cap Nut M8	4
10	E009-M6x16-01	Bolt M6x16	2
11	E009-M8x20-01	Bolt M8x20	4
12	E009-M8x25-01	Bolt M8x25	6
13	E013-M6-01	Nut M6	2
14	E011-M6-01	Lock Washer M6	2
15	E012-M6-01	Flat Washer M6	2
16	E012-M8-01	Flat Washer M8	10
17	A012-65313A-01	Bushing	6

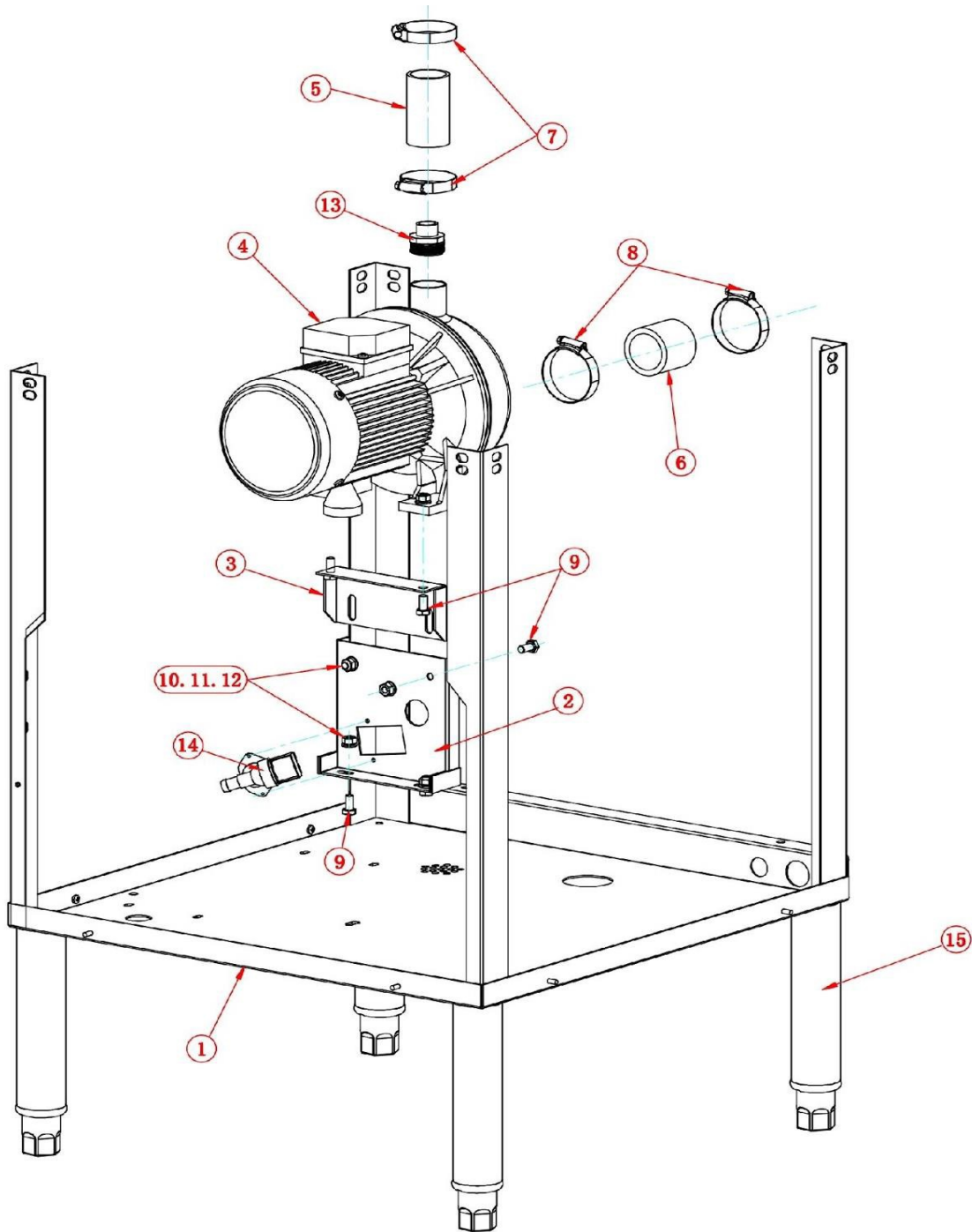
Door Lift Assembly



Assembly

<u>Item No.</u>	<u>Parts No.</u>	<u>Part Name</u>	<u>Qty</u>
1	0JD-25301	Handle	1
2	0JD-25303	Spring Hook	2
3	A002-25309-01	Door Spring	2
4	0JD-25302	Spring Hanger	2
5	F025-25308-01	Nylon Button for Door Spring Hanger	4
6	F005-D25-01	Handle Cap	2
7	A012-25306-01	Door Pivot	2
8	0JD-25304B	Door Link	2
9	E009-M8x40-01	Bolt M8x40	6
10	E013-M8-01	Nut M8	2
11	E011-M8-01	Lock Washer M8	4
12	E012-M8-01	Flat Washer M8	4
13	E014-M8-01	Cap Nut M8	2
14	A012-25305-01	Spacer	2

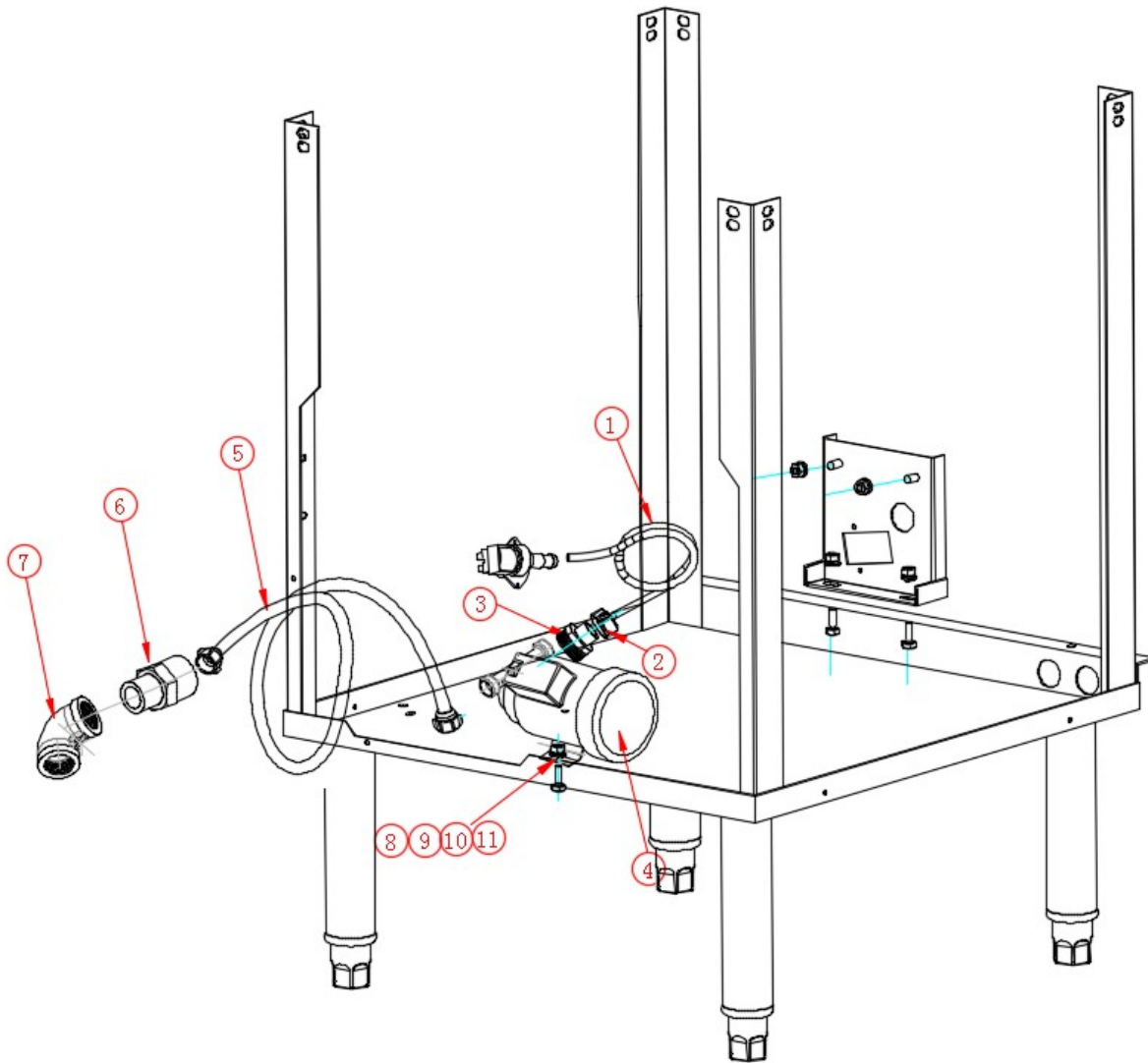
Wash & Rinse Pumps Assembly



Wash & Rinse Pumps Assembly

<u>Item No.</u>	<u>Parts No.</u>	<u>Parts No.</u>	<u>Quantity</u>
1	0JD-10000B	Base	1
2	0JD-60301/1	Lower Stand	1
3	0JD-60302	Upper Stand	1
4	G003-120/090-01	Wash Pump – 1 Phase	1
4	G003-120/090-03	Wash Pump – 3 Phase	1
5	F021-D38-01	Wash Pump Hose (Out) 80 mm	1
6	F021-D51-01	Wash Pump Hose (In) 60 mm	1
7	E018-32X57-01	Hose Clip 32x57	2
8	E018-46X70-01	Hose Clip 46x70	2
9	E009-M8x20-01	Bolt M8x20	6
10	E013-M8-01	Nut M8	6
11	E011-M8-01	Lock Washer M8	6
12	E012-M8-01	Flat Washer M8	6
13	0JD-60313	Hose Adapter	1
14	G017-220V-01	Solenoid Valve (220v/50 Hz)	1
15	A003-10307B-01	Extendable Leg	4

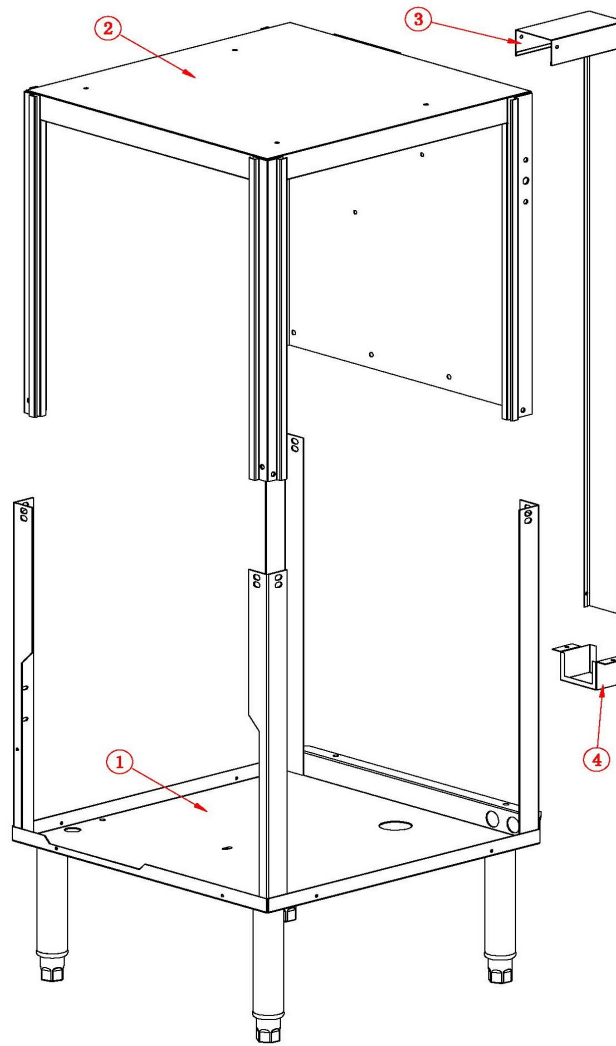
Lower Frame Assembly with Pressure Pump



**Lower Frame Assembly with
Pressure Pump**

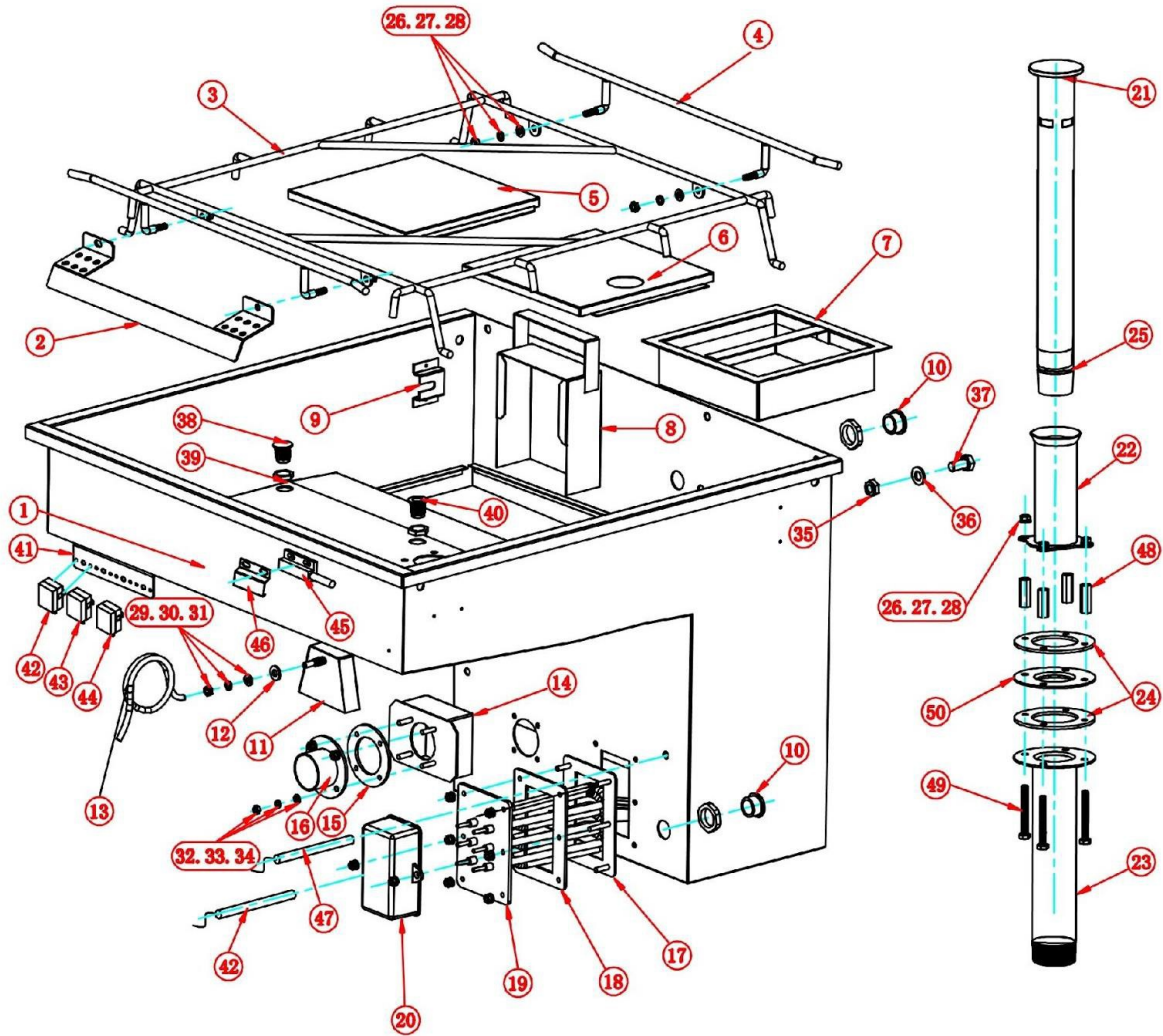
<u>Item No.</u>	<u>Parts No.</u>	<u>Name</u>	<u>Quantity</u>
1	F021-D13-01	Hose Dia13x800mm	1
2	E018-11X25-01	Hose Clip-XG-11-25	1
3	A012-50352-01	Hose Adaptor	1
4	G003-RGZ15/20-01	Pressure Pump 0.28kw-50hz	1
5	D024-3/4X550-01	S/S water inlet pipe	1
6	D010-1/2X3/4-02	Reducer Union 1/2" x 3/4"	1
7	D009-1/2-01	Elbow 1/2"	1
8	E013-M6-01	Nut M6	2
9	E011-M6-01	Spring Washer M6	2
10	E012-M6-01	Flat Washer M6	2
11	E009-M6X20-01	Bolt M6x20	2

Wash Chamber & Lower Frame Assembly



<u>Item No.</u>	<u>Parts No.</u>	<u>Part Name</u>	<u>Qty</u>
1	0JD-10000	Base (SG)	1
2	0JD-20000A	Upper Hood	1
3	0JD-70B-306	Cable Trunk	1
4	0JD-70B-307	Trunk Elbow	1

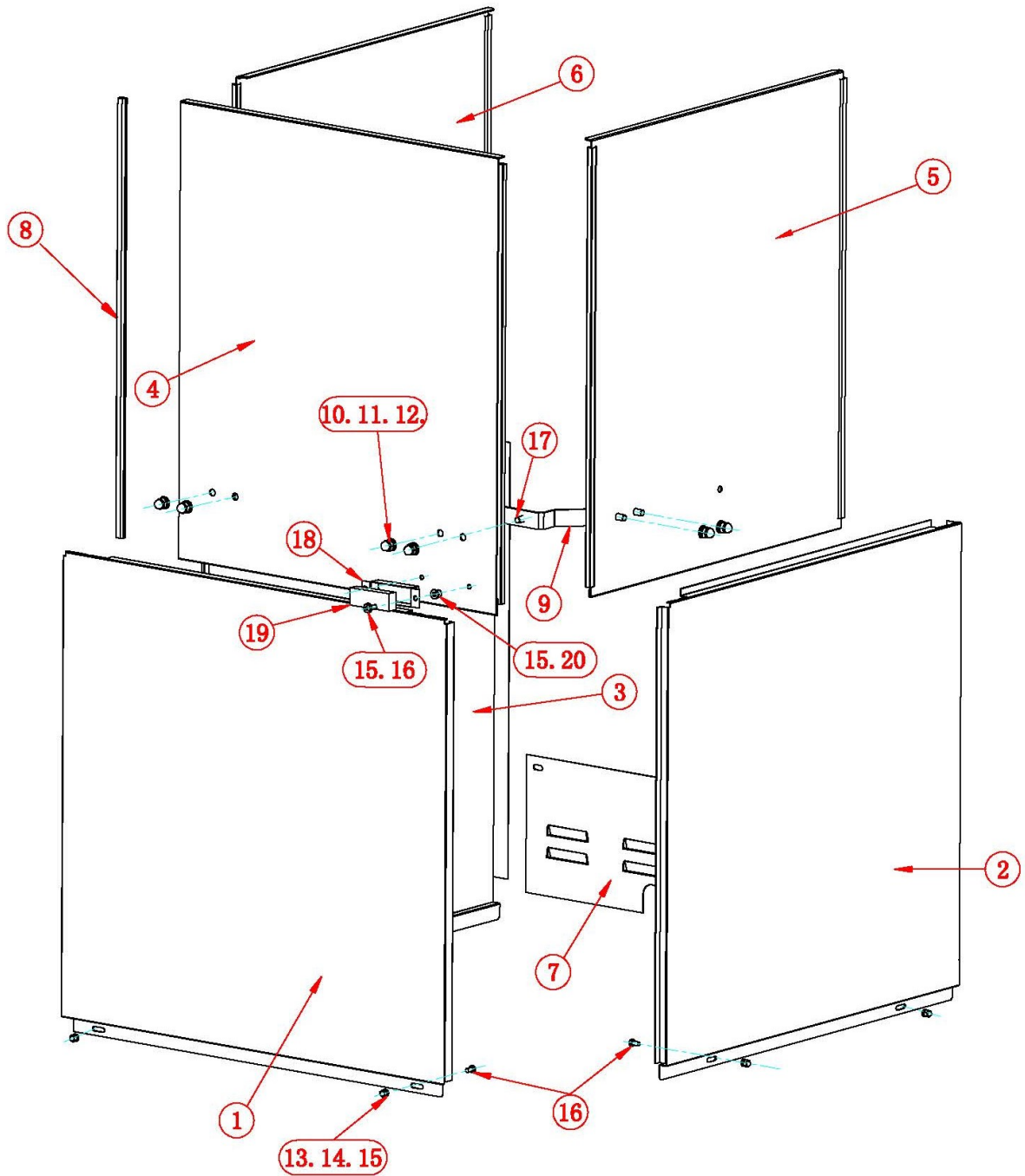
Wash Tank Assembly



<u>Item No.</u>	<u>Parts No.</u>	<u>Parts Name</u>	<u>Quantity</u>
1	0JD-10301	Wash Tank	1
2	0JD-30303-7	Splash Protection	1
3	0JD-30301	Rack Holder (Complete)	1
4	0JD-30301-5	Side Rail	2
5	0JD-65303-1	Scrap Tray - Left	1
6	0JD-65302-1	Scrap Tray - Right	1
7	0JD-65301	Scrap Tray Basket	1
8	0JD-65304	Pump Intake Screen	1
9	0JD-10301-6	Rack Holder Bracket	4
10	F005-M22-01	Hole Plug	2
11	0JD-65309	Air Chamber	1
12	F017-2xD8xD16-01	Air Chamber Gasket	1

<u>Item No.</u>	<u>Parts No.</u>	<u>Parts Name</u>	<u>Quantity</u>
13	F022-D8X4-01	Silicon Tube	1
14	0JD-60306A	Pump Intake Screen Holder	1
15	F001-60307A-01	Wash Pump Inlet Gasket	1
16	0JD-60305A	Wash Pump Inlet Flange	1
17	0JD-65332	Wash Tank Heater Flange	1
18	F001-40304-01	Heater Gasket	1
19	G005-3KW-01	Tank Heater 3kW (High Temp)	1
	G005-2KW-01	Tank Heater 2kW (Low Temp)	1
20	F016-40305-01	Heater Cover	1
21	0JD-65305	S.S. Drain / Overflow Pipe	1
22	0JD-65350	Drain Pipe Guider	1
23	0JD-65306A	Drain Pipe Adaptor	1
24	F001-65307A-01	Drain Pipe Gasket	2
25	F002-32.5X2.65-01	O-Ring	1
26	E013-M6-01	Nut M6	8
27	E011-M6-01	Lock Washer M6	8
28	E012-M6-01	Flat Washer M6	8
29	E013-M8-01	Nut M8	1
30	E011-M8-01	Lock Washer M8	1
31	E012-M8-01	Flat Washer M8	1
32	E013-M5-01	Nut M5	12
33	E011-M5-01	Lock Washer M5	12
34	E012-M5-01	Flat Washer M5	12
35	E013-M10-01	Nut M10	1
36	E012-M10-01	Flat Washer	1
37	E009-M10x20-01	Hex bolt M10 x 20	1
38	A012-50312A-01	Screw-Sealed (B Type)	1
39	A012-50313-01	Bushing	2
40	A012-50312-01	Screw-Sealed	1
41	0JD-10301-8	Thermostat Bracket	1
42	G021-82C-01	TT Thermostat 82°C	1
43	G021-86C-01	BT Thermostat 86°C	1
44	G021-110C-01	BST Thermostat 110°C	1
45	0JD-65998A	Magnetic Switch w Cable	1
46	0JD-65340	Magnetic Switch Bracket	1
47	G065-WZJ1020-03	Temperature Probe (Black)	1
48	A012-65350/3	Drain Guider Stand	4
49	E009-M6x50-01	Hex Bolt M6 x50	4
50	0JD-65306A-1	Connection Plate	1

Door Panel Assembly



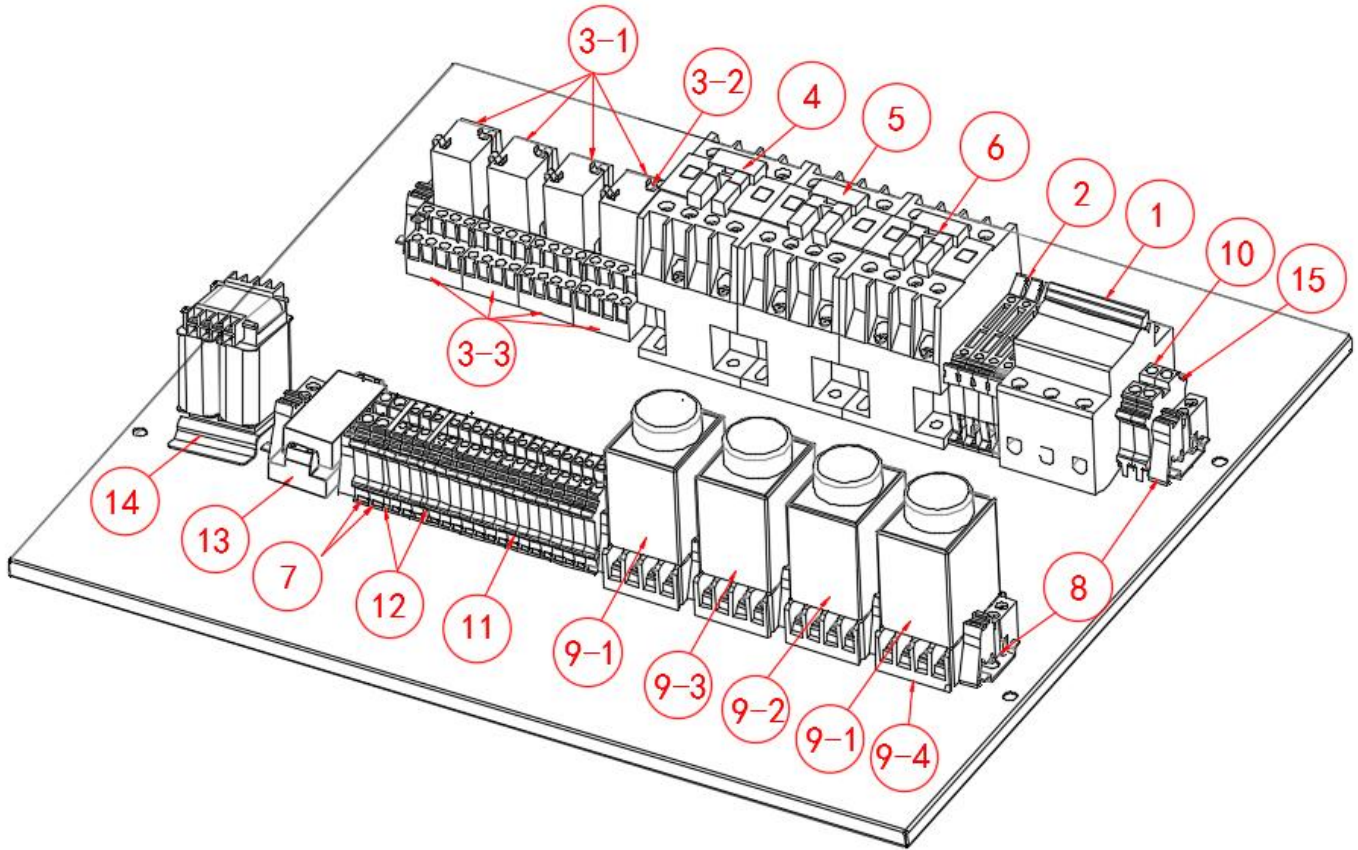
Door Panel Assembly

<u>Item No.</u>	<u>Parts No.</u>	<u>Part Name</u>	<u>Qty</u>
1	0JD-65320B	Lower Front Panel	1
2	0JD-65321B	Lower Side Panel (R)	1
3	0JD-65322	Lower Side Panel (L)	1
4	0JD-65323	Front Door	1
5	0JD-65324	Side Door (R)	1
6	0JD-65325	Side Door (L)	1
7	0JD-65B-327A	Lower Rear Panel	1
8	F003-65326-01	Door Guide	6
9	0JD-65316	Door Lift Bracket	2
10	E014-M8-01	Cap Nut M8	8
11	E011-M8-01	Lock Washer M8	8
12	E012-M8-01	Flat Washer M8	8
13	E013-M5-01	Cap Nut M5	6
14	E011-M5-01	Lock Washer M5	6
15	E012-M5-01	Flat Washer M5	6
16	E009-M5x10-01	Bolt M5x10	6
17	E009-M8x20-01	Bolt M8x16	8
18	0T2D-65318-8	Magnet Housing	1
19	A005-10X17X51-01	Magnet	1
20	E015-M5-01	Lock Nut M5	2

Top Mounted Control Panel

<u>Item No.</u>	<u>Parts No.</u>	<u>Part Name</u>	<u>Qty</u>
1	0JD-70C-301B	Control Panel Housing	1
2	0JD-70C-302	Control Panel Cover	1
3	G035-E/5V-01	S.S. Standby Light (Yellow)	1
4	G036-11Z-01	Machine On / Off Button	1
4A	G036-11Z-01	Cycle Selector	1
5	G035-E/5V-02	S.S Cycle Light (Green)	1
6	G031-Champion-01	Panel Sticker	1
7	G029-PG9-01	Conduit	2
8	G014-1020-01	Temperature Display Gauge	1
9	G029-PG13*5-01	Conduit	1
10	ECOS7AR420L-01	Dispenser Control Board	1
11	G034-FPQ-01	Dispenser on/off switch	1
12	G003-FPQ-01	Detergent Pump	1
13	G003-FPQ-02	Drying Agent Pump	1
14	F051-01	Detergent Pick Up / Discharge Tube (Transparent)	3 meter
15	F051-02	Drying Agent Pick Up / Charge Tube (Blue)	3 meter
16	G031-FPQ-01	Dispenser Sticker	1
17	G069-FPQ-01	Chemical Pick Up Rod	2

Mechanical Control Panel



Mechanical Control Panel

<u>Item No.</u>	<u>Parts No.</u>	<u>Part Name</u>	<u>Qty</u>
1	G009-D40A-01	Circuit Breaker D40A	1
2	G041-4RD-01	Fuse Terminal - UKJ-4RD	4
3-1	G012-P7-02	Relay RXM4LB2P7	4
3-2	G012-RXZ410-01	Relay fixed buckle RX410	8
3-3	G028-RXZE1M4C-01	Relay Base RE1M4C	4
4	G008-E3201M6N-01	Booster Heater Contactor LC1-E3201M6N	1
5	G008-E0901M6N-01	Wash Tank Heater Contactor LC1-E0901M6N	1
6	G008-E0610M6N-01	Wash Motor Contactor LC1-E0610M6N	1
7	G041-6-01	Wiring Terminal - UKJ-6	2
8	G042-2G2-01	Wiring Terminal - UKJ-2G2	4
9-1	G011-180S/ AC220V-01	Timer 220V, 180S	2
9-2	G011-30S/ AC220V-01	Timer 220V, 30S	1
9-3	G011-10S /AC220V-01	Timer 220V, 10S	1
9-4	G028-RXZE2S114M-01	Timer Base	4
10	G041-6JD-01	Ground Wiring Terminal – UKJ-6JD	1
11	G041-4-01	Wiring Terminal - UKJ-4	18
12	G032-G/DUK-01	Wiring Terminal Stand – UKJ-G/DUK	1
13	G024-220V/5V-03	Inverter (220v to 5v)	1
14	G015-220V/22V-01	Dispenser Transformer	1
15	G041-6-02	Neutral Wiring Terminal – UKJ-6	1