

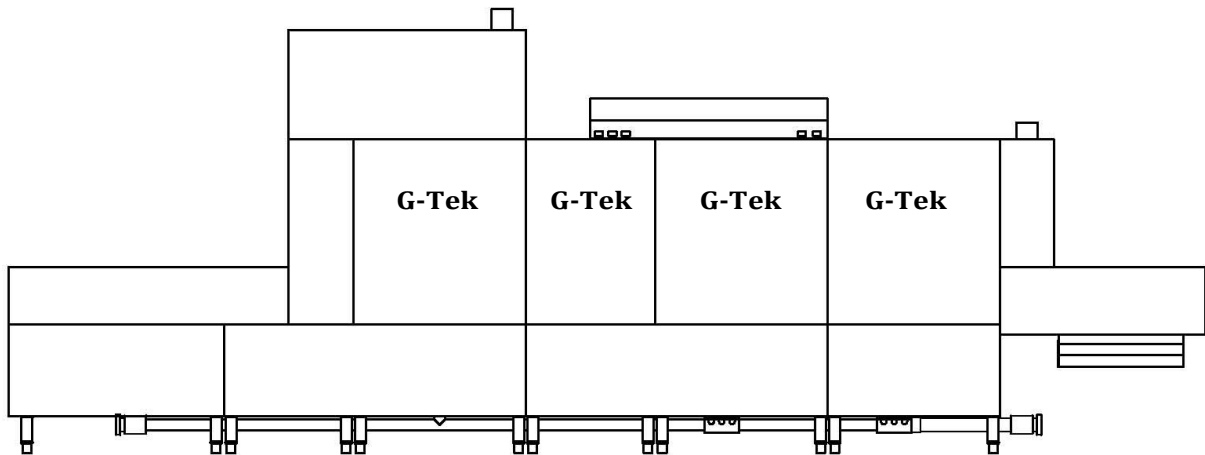
# Global-Tek Machinery Pte Ltd

---

**Model: GT-FTC/MF**

---

## **Mini Flight Dish Washer Parts Manual**



# Global-Tek Machinery Pte Ltd

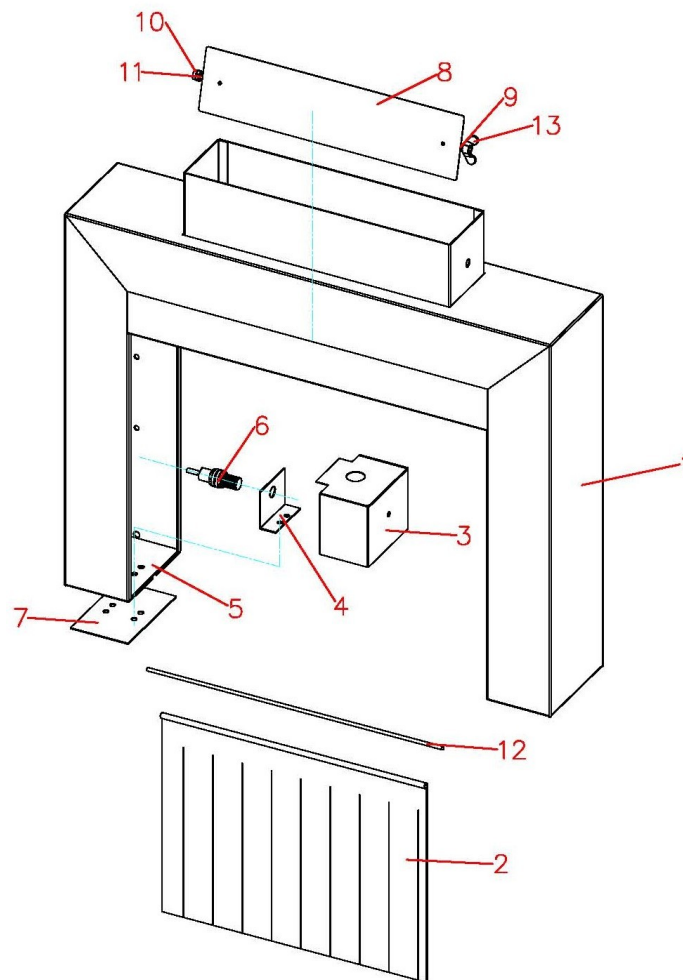
|                                                |    |
|------------------------------------------------|----|
| Upper Hood.....                                | 3  |
| Loading Section (950 mm) .....                 | 5  |
| Upper Hood (single wash).....                  | 7  |
| Upper Hood (double wash).....                  | 9  |
| Single wash tank component ( old model) .....  | 11 |
| Single wash tank component ( new model) .....  | 13 |
| Double Wash tank component ( old model) .....  | 15 |
| Double Wash tank component ( new model) .....  | 17 |
| Wash Tank Steam Heat Piping .....              | 19 |
| Single Wash and Rinse Arm Assembly .....       | 21 |
| Single Wash and Rinse Arm Assembly .....       | 21 |
| Double Wash and Rinse Arm Assembly (R->L)..... | 23 |
| Double Wash and Rinse Arm Assembly (L->R)..... | 25 |
| Double Rinse Upper Hood.....                   | 27 |
| Double Rinse Section ( old model) .....        | 29 |
| Double Rinse Section (new model) .....         | 31 |
| Single Rinse Section ( old) .....              | 33 |
| Single Rinse Section (new) .....               | 35 |
| Double Rinse Section ( old) .....              | 37 |
| Double Rinse Section ( new) .....              | 39 |
| Electrical Heat Booster Heater.....            | 41 |
| Steam HearBooster Heater .....                 | 43 |
| Booster Heater Pipping Assy.....               | 45 |
| Drying Section Upper Hood component.....       | 47 |
| 480 mm Drying Section Upper Hood.....          | 49 |
| 480 mm Drying Section Lower Portion.....       | 51 |
| 1000 mm Unloading Section.....                 | 53 |

# Global-Tek Machinery Pte Ltd

|                                                                            |    |
|----------------------------------------------------------------------------|----|
| Unloading Magnetic Switch Section.....                                     | 55 |
| Unloading Gear & Wheel Section.....                                        | 57 |
| Conveyor Motor Section.....                                                | 59 |
| Conveyor Peg Section.....                                                  | 61 |
| Electrical cabinet.....                                                    | 63 |
| Electrical control components for Single Tank, Single Rinse .....          | 65 |
| Electrical control components for Single Tank, Single Rinse & Blower ..... | 67 |

# Global-Tek Machinery Pte Ltd

## Upper Hood

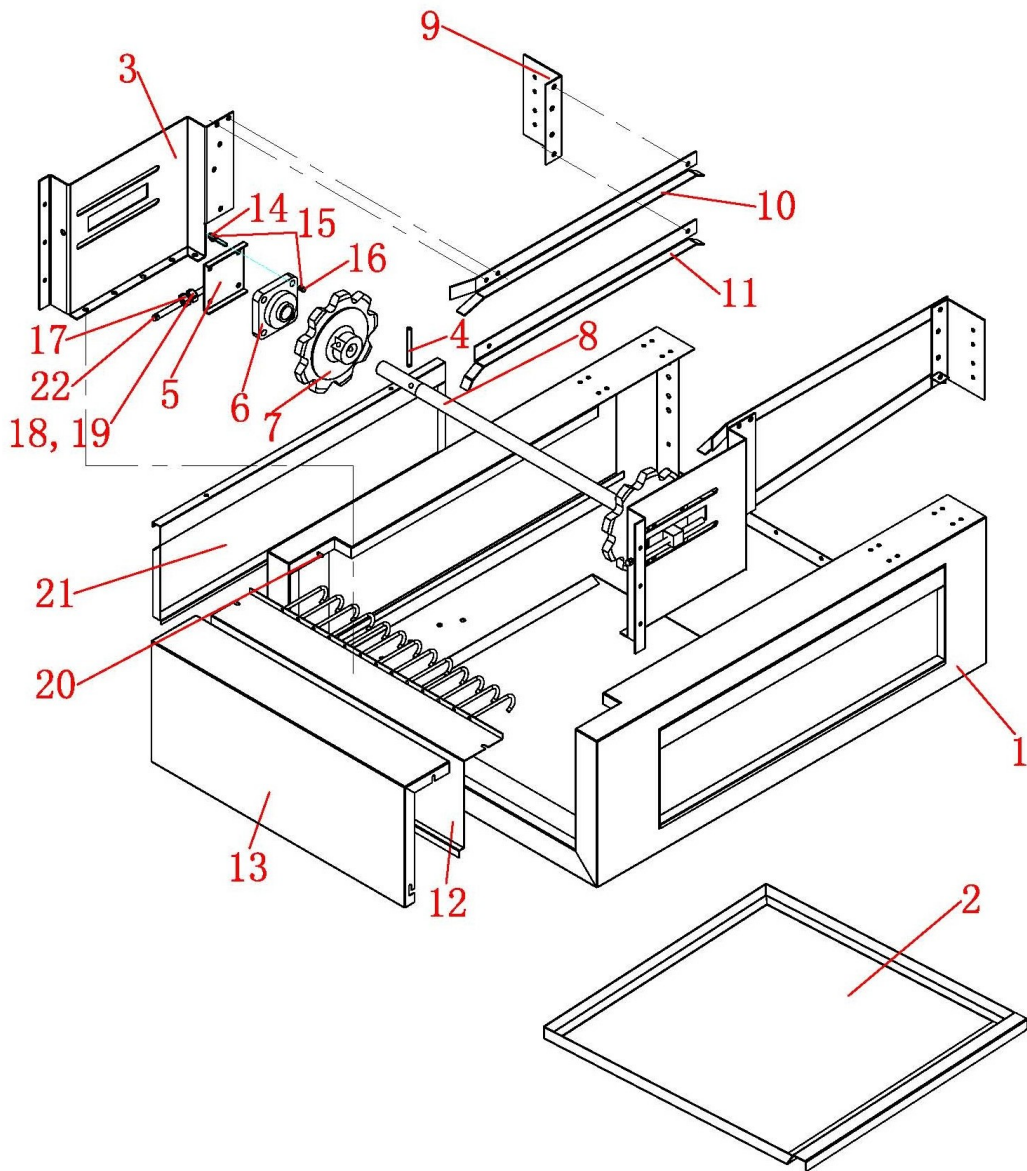


# Global-Tek Machinery Pte Ltd

| <b>Upper Hood</b> |                         |                          |            |
|-------------------|-------------------------|--------------------------|------------|
| <b>Item No.</b>   | <b>Parts Series No.</b> | <b>Parts Name</b>        | <b>Qty</b> |
| 1                 | 0MF-J11                 | Upper Hood               | 1          |
| 2                 | F031-MF-02              | Curtain                  | 1          |
| 3                 | 0MF-J13-304             | Infra-Red Sensor Housing | 1          |
| 4                 | 0MF-J13-303-1           | Sensor Bracket           | 1          |
| 5                 | 0MF-J11-302             | Bracing Sheet            | 2          |
| 6                 | G034-S186E-01           | S186E (transmit)         | 1          |
|                   | G034-S18SP6R-01         | S18SP6R (receiver)       | 1          |
| 7                 | 0MF-J11-304             | Bracing Sheet            | 2          |
| 8                 | 0CD-J11-303-4           | Exhaust Direction Blade  | 1          |
| 9                 | A012-J11/303/3-02       | Exhaust Blade Shaft      | 1          |
| 10                | A012-J11/303/5-01       | Washer                   | 1          |
| 11                | E015-M8-01              | Nut                      | 1          |
| 12                | C004-D6-01              | Curtain Rod              | 1          |
| 13                | E016-M10-01             | The butterfly nut        | 1          |

# Global-Tek Machinery Pte Ltd

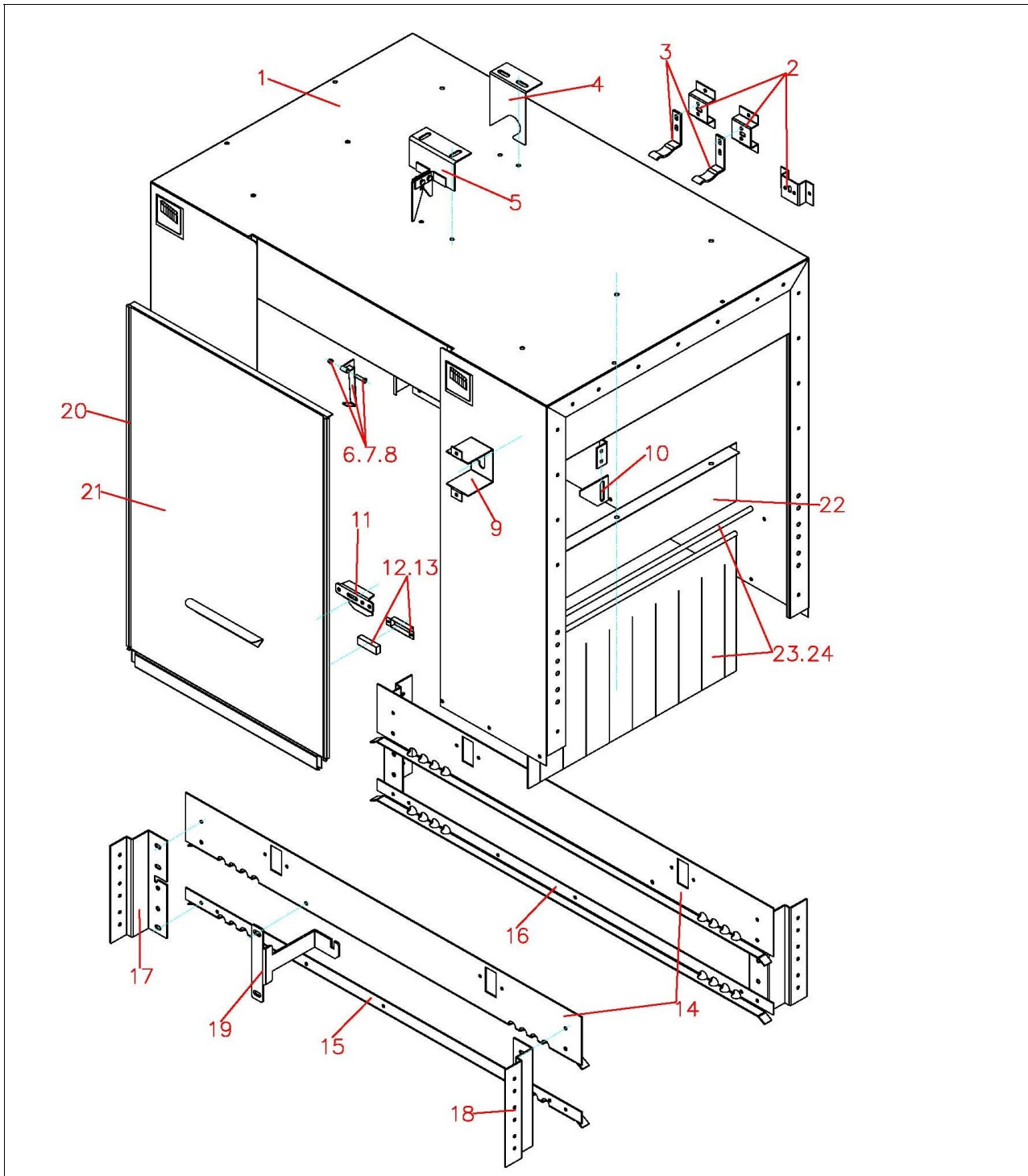
## Loading Section (950 mm)



# Global-Tek Machinery Pte Ltd

| <b>Loading Section (950 mm)</b> |                                  |                                     |     |
|---------------------------------|----------------------------------|-------------------------------------|-----|
| Item No.                        | Parts Series No.                 | Parts Name                          | Qty |
| 1                               | OMF-J10A-301-L/R (left to right) | Loading Base                        | 1   |
|                                 | OMF-J10A-301-R/L (right to left) | Loading Base                        |     |
| 2                               | OMF-J10A-305A                    | Scrap Tray                          | 1   |
| 3                               | 0CD-J15-301A                     | Side Bracket                        | 2   |
| 4                               | A006-M8x70-01                    | Spring pin                          | 2   |
| 5                               | 0CD-J15-302A                     | Transition plate                    | 2   |
| 6                               | A010-SUCF205-01                  | Stainless steel bearing             | 2   |
| 7                               | F027-30305-01                    | Conveyor Wheel (loading)            | 2   |
| 8                               | A012-30301A-02                   | Conveyor Wheel shaft (loading side) | 1   |
| 9                               | 0CD-J15-303A                     | Bracket                             | 2   |
| 10                              | OMF-J15A-304A                    | Guide rail                          | 2   |
| 11                              | OMF-J15A-305A                    | Guide rail                          | 2   |
| 12                              | MF-J10A-306-2                    | Panel                               | 1   |
| 13                              | MF-J10A-306-1                    | Panel                               | 1   |
| 14                              | E009-M10x30-01                   | Hexagonal Nut                       | 8   |
| 15                              | E012-M10-01                      | Flat Washer                         | 8   |
| 16                              | E015-M10-01                      | Lock nut                            | 8   |
| 17                              | E013-M10-01                      | Hexagonal Nut                       | 2   |
| 18                              | E013-M10-02                      | Hexagonal copper nut                | 2   |
| 19                              | E012-M10-01                      | Flat Washer                         | 2   |
| 20                              | A012-J13/301-01                  | Pile head                           | 4   |
| 21                              | 0CD-J10B-301-2                   | Side Panel                          | 2   |
|                                 | E014-M10-01                      | Cap nut                             | 2   |

# Global-Tek Machinery Pte Ltd

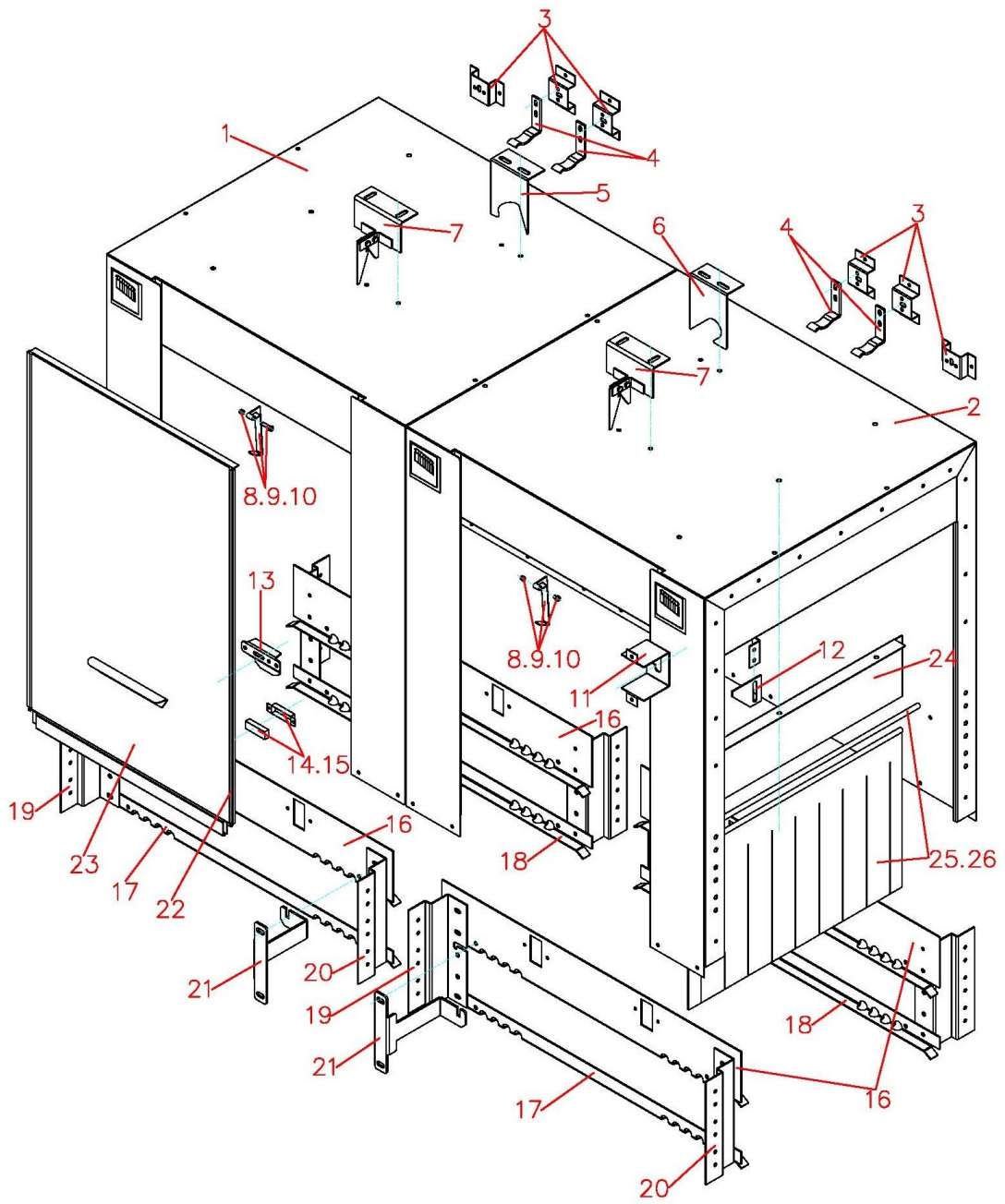




# Global-Tek Machinery Pte Ltd

| <b>Upper Hood (single Wash)</b> |                         |                                 |            |
|---------------------------------|-------------------------|---------------------------------|------------|
| <b>Item No.</b>                 | <b>Parts Series No.</b> | <b>Parts Name</b>               | <b>Qty</b> |
| 1                               | 0MF-YQ21                | Upper Hood                      | 1          |
| 2                               | 0CD-YQ27-305            | Upper Wash Arm Bracket          | 3          |
| 3                               | 0T2D-50322              | Upper Wash Arm Holder           | 2          |
| 4                               | 0T2D-50323              | Upper Wash Hook                 | 1          |
| 5                               | 0T2D-50324              | Upper Wash Hook locking Bracket | 1          |
| 6                               | E010-M5x30-01           | Hexagon Socket Screw            | 1          |
| 7                               | 0CD-YQ23-331            | Door Hook                       | 1          |
| 8                               | E015-M5-01              | Nut                             | 1          |
| 9                               | 0MF-PD31-302-3          | Lower Wash Holder               | 1          |
| 10                              | 0T2D-50325              | Lower Wash Arm Bracket          | 1          |
| 11                              | 0CD-YQ23-314            | Drain Closer                    | 1          |
| 12                              | A005-10x17x51-01        | Door Magnet                     | 1          |
| 13                              | 0T2D-65318-8            | Magnet Housing                  | 1          |
| 14                              | 0MF-YQ25-301            | Guide Rail                      | 2          |
| 15                              | 0MF-YQ25-302L           | Guide Rail                      | 1          |
| 16                              | 0MF-YQ25-302R           | Guide Rail                      | 1          |
| 17                              | 0CD-YQ25-303L           | Side Panel Bracket (left)       | 2          |
| 18                              | 0CD-YQ25-303R           | Side Panel Bracket (right)      | 2          |
| 19                              | 0CD-YQ27-304            | Bracket                         | 1          |
| 20                              | F003-65326-01           | Door Guide                      | 2          |
| 21                              | 0MF-YQ23-303            | Sliding Door                    | 1          |
| 22                              | 0MF-PD33-303            | Curtain Hook                    | 1          |
| 23                              | C004-D6-01              | Curtain Rod                     | 2          |
| 24                              | F031-MF-01              | Curtain                         | 2          |

# Global-Tek Machinery Pte Ltd

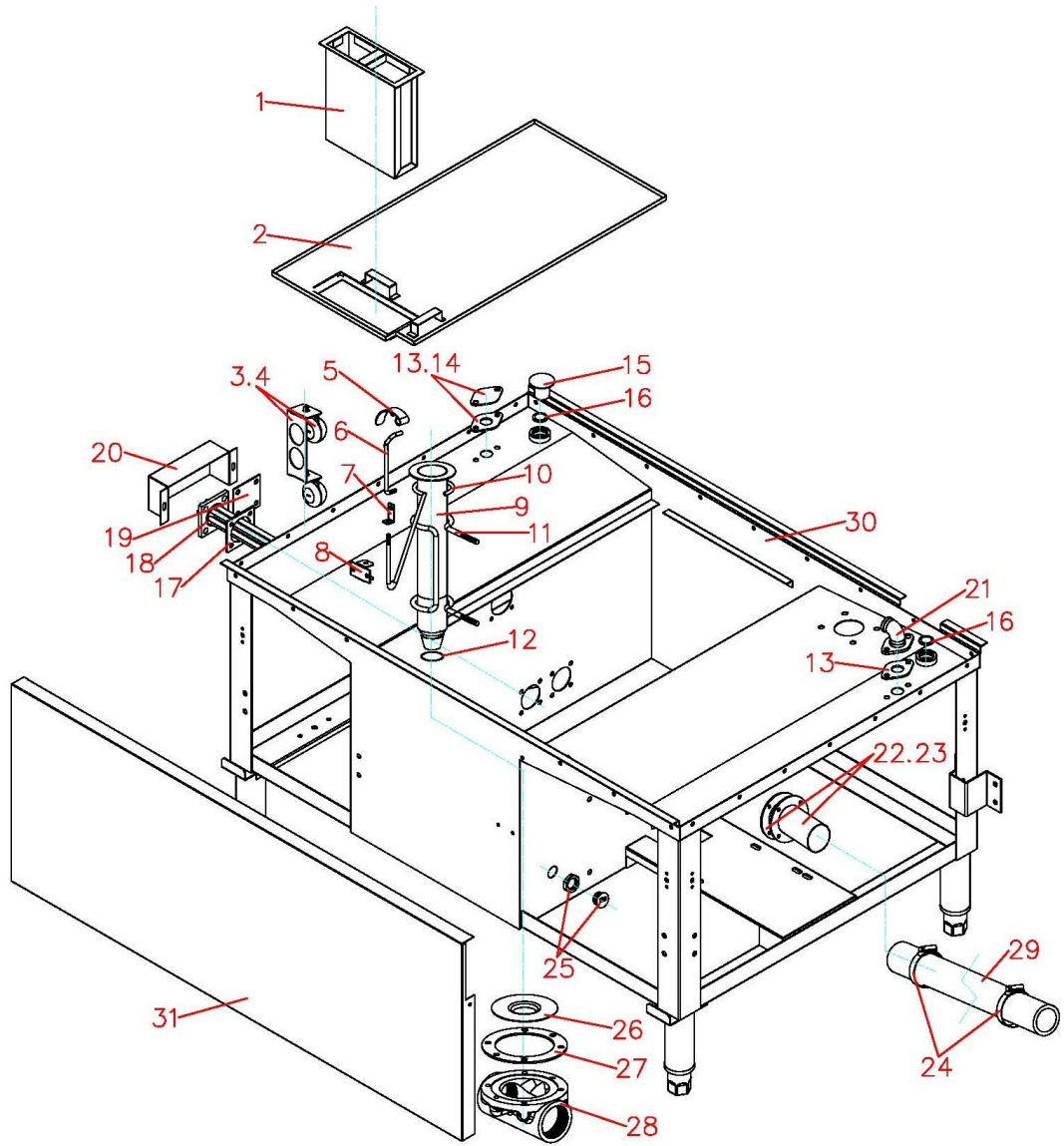


# Global-Tek Machinery Pte Ltd

| <b>Upper Hood (double wash)</b> |                         |                                |            |
|---------------------------------|-------------------------|--------------------------------|------------|
| <b>Item No.</b>                 | <b>Parts Series No.</b> | <b>Parts Name</b>              | <b>Qty</b> |
| 1                               | 0MF-YQ21AL              | Upper Hood (left)              | 1          |
| 2                               | 0MF-YQ21AR              | Upper Hood (right)             | 1          |
| 3                               | 0CD-YQ27-305            | Upper Wash Arm Bracket         | 6          |
| 4                               | 0T2D-50322              | Upper Wash Arm Holder          | 4          |
| 5                               | 0T12D-50323L-1          | Upper Wash Arm Hook (left)     | 1          |
| 6                               | 0T2D-50323              | Upper Wash Arm Hook (right)    | 1          |
| 7                               | 0T2D-50324              | Upper Wash Arm locking Bracket | 2          |
| 8                               | E010- M5x30-01          | Hexagon Socket Screw           | 2          |
| 9                               | 0CD-YQ23-331            | Door Hook                      | 2          |
| 10                              | E015-M5-01              | Nut                            | 2          |
| 11                              | 0MF-PD31-302-3          | Lower Wash Arm Holder          | 2          |
| 12                              | 0T2D-50325              | Lower Wash Arm Bracket         | 2          |
| 13                              | 0CD-YQ23-314            | Drain Closer                   | 2          |
| 14                              | A005-10x17x51-01        | Door Magnet                    | 2          |
| 15                              | 0T2D-65318-8            | Magnet Housing                 | 2          |
| 16                              | 0MF-YQ25-301            | Guide Rail                     | 4          |
| 17                              | 0MF-YQ25-302L           | Guide Rail                     | 2          |
| 18                              | 0MF-YQ25-302R           | Guide Rail                     | 2          |
| 19                              | 0CD-YQ25-303L           | Side Panel Bracket (left)      | 4          |
| 20                              | 0CD-YQ25-303R           | Side Panel Bracket (right)     | 4          |
| 21                              | 0CD-YQ27-304            | Bracket                        | 2          |
| 22                              | F003-65326-01           | Door Guide                     | 4          |
| 23                              | 0MF-YQ23-303            | Sliding Door                   | 2          |
| 24                              | 0MF-PD33-303            | Splash Restrictor              | 1          |
| 25                              | C005-D6-01              | Curtain Rod                    | 3          |
| 26                              | F031-MF-01              | Curtain                        | 3          |

# Global-Tek Machinery Pte Ltd

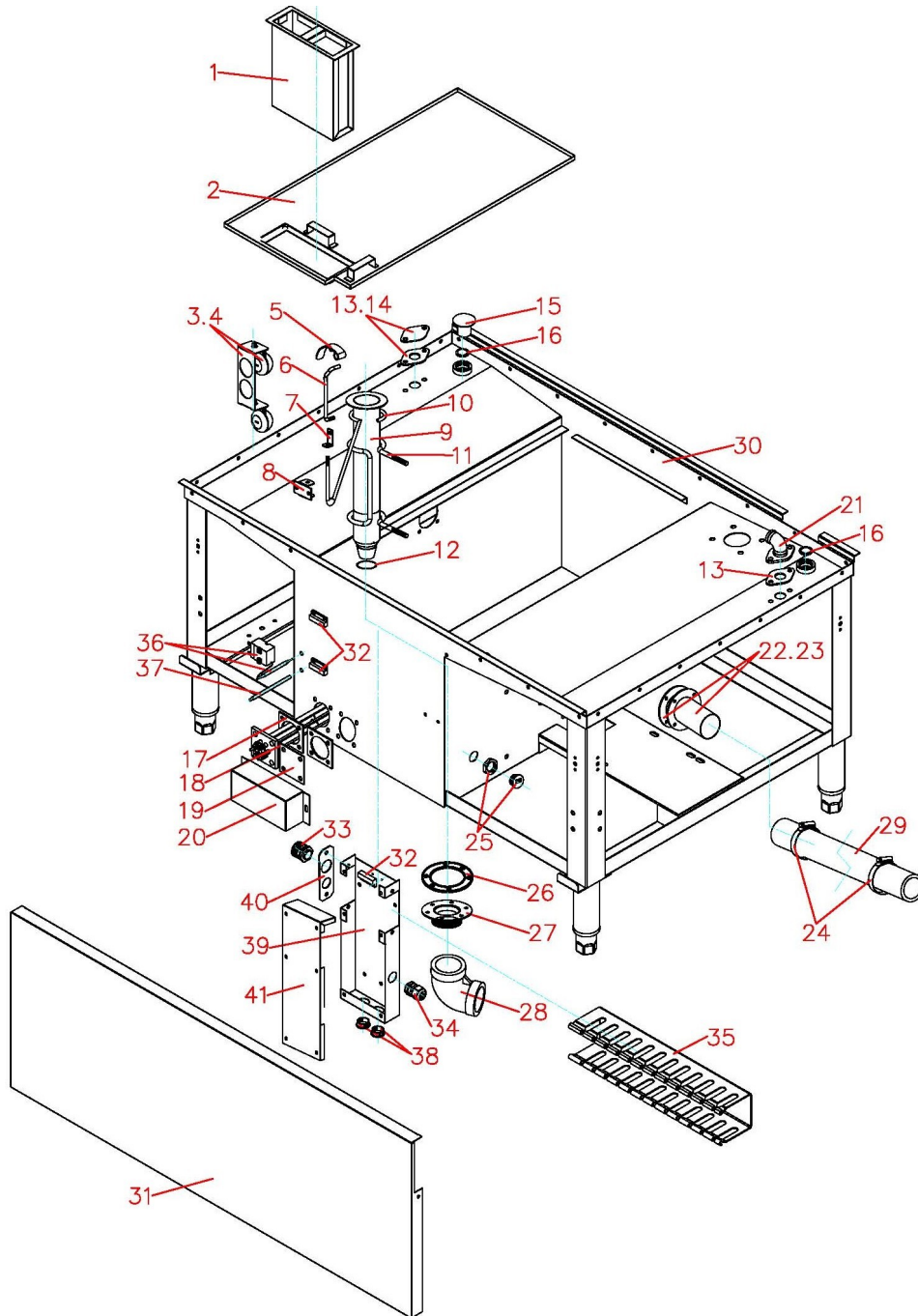
## Single Wash Tank Component (old model )



# Global-Tek Machinery Pte Ltd

| <b>Single Wash Tank Component (old model)</b> |                         |                           |            |
|-----------------------------------------------|-------------------------|---------------------------|------------|
| <b>Item No.</b>                               | <b>Parts Series No.</b> | <b>Parts Name</b>         | <b>Qty</b> |
| 1                                             | 0CD-YQ23-323            | Basket                    | 1          |
| 2                                             | 0MF-YQ23-322            | Scrap Tray                | 1          |
| 3                                             | 0T2D-70309              | Floating Ball             | 2          |
| 4                                             | 0CD-YQ23-318            | Float Ball Bracket        | 2          |
| 5                                             | 0CD-YQ23-304            | Drain handle              | 1          |
| 6                                             | 0CD-YQ23-317-3          | Drain Pipe Guider         | 1          |
| 7                                             | 0CD-YQ23-317-2          | Drain Link                | 1          |
| 8                                             | 0CD-YQ23-317-1          | Drain Guide holder        | 1          |
| 9                                             | 0CD-YQ23-336            | Drain /Overflow Pipe      | 1          |
| 10                                            | 0CD-YQ23-317-4          | Lift Link                 | 1          |
| 11                                            | 0CD-YQ23-306            | Drain Pipe Guider         | 1          |
| 12                                            | F002-34.5x5.3-01        | Drain Pipe O Ring         | 1          |
| 13                                            | F001-50317-01           | Gasket                    | 2          |
| 14                                            | 0T2D-65323              | Hold plug                 | 1          |
| 15                                            | 0MF-YQ20-314            | choke plug                | 1          |
| 16                                            | F002-25x2.65-01         | O Ring                    | 2          |
| 17                                            | F001-40309-01           | Gasket                    | 2          |
| 18                                            | G005-9KW-02             | Wash Tank Heating Element | 1          |
| 19                                            | 0T2D-40305              | Heater Hold Plug          | 1          |
| 20                                            | 0CD-YQ23-310A           | Heater Cover              | 1          |
| 21                                            | 0MF-YQ20-316            | Fill Elbow                | 1          |
| 22                                            | F001-60307A-01          | Gasket                    | 1          |
| 23                                            | 0CD-YQ27-309            | By-pass Hose              | 2          |
| 24                                            | E018-46x70-01           | Hose Clamp                | 2          |
| 25                                            | F005-M22-01             | Hole Plug                 | 2          |
| 26                                            | 0T2D-65308-2            | Washer                    | 1          |
| 27                                            | F001-65309-01           | Gasket                    | 1          |
| 28                                            | A012-65308/1/B-01       | Drain Stand               | 1          |
| 29                                            | F021-YQ27/310A-01       | Rubber hose               | 1          |
| 30                                            | 0MF-YQ20                | Wash Tank                 | 1          |
| 31                                            | 0MF-YQ23-325-1          | Front Panel               | 2          |

# Global-Tek Machinery Pte Ltd



# Global-Tek Machinery Pte Ltd

| <b>Single Wash Tank Component (new model)</b> |                         |                           |            |  |
|-----------------------------------------------|-------------------------|---------------------------|------------|--|
| <b>Item No.</b>                               | <b>Parts Series No.</b> | <b>Parts Name</b>         | <b>Qty</b> |  |
| 1                                             | 0CD-YQ23-323            | Basket                    | 1          |  |
| 2                                             | 0MF-YQ23-322            | Scrap Tray                | 1          |  |
| 3                                             | 0T2D-70309              | Floating Ball             | 2          |  |
| 4                                             | 0CD-YQ23-318            | Float Ball Bracket        | 2          |  |
| 5                                             | 0CD-YQ23-304            | Drain Handle              | 1          |  |
| 6                                             | 0CD-YQ23-317-3          | Drain Pipe Guider         | 1          |  |
| 7                                             | 0CD-YQ23-317-2          | Drain Link                | 1          |  |
| 8                                             | 0CD-YQ23-317-1          | Drain Guide holder        | 1          |  |
| 9                                             | 0CD-YQ23-336            | Drain / Overflow Pipe     | 1          |  |
| 10                                            | 0CD-YQ23-317-4          | Drain Lift Link           | 1          |  |
| 11                                            | 0CD-YQ23-306            | Drain Pipe Guider         | 1          |  |
| 12                                            | F002-34.5x5.3-01        | Drain O Ring              | 1          |  |
| 13                                            | F001-50317-01           | Gasket                    | 1          |  |
| 14                                            | 0T2D-65323              | Hold Plug                 | 1          |  |
| 15                                            | 0MF-YQ20-314            | choke plug                | 1          |  |
| 16                                            | F002-25x2.65-01         | O Ring                    | 2          |  |
| 17                                            | F001-40309-01           | Gasket                    | 2          |  |
| 18                                            | G005-9KW-02             | Wash Tank Heating Element | 1          |  |
| 19                                            | 0T2D-40305              | Heater Hold Plug          | 1          |  |
| 20                                            | 0CD-YQ23-310A           | Heater Cover              | 1          |  |
| 21                                            | 0MF-YQ20-316            | Fill Elbow                | 1          |  |
| 22                                            | F001-60307A-01          | Gasket                    | 1          |  |
| 23                                            | 0CD-YQ27-309            | By-pass Hose              | 2          |  |
| 24                                            | E018-46x70-01           | Hose Clamp                | 2          |  |
| 25                                            | F005-M22-01             | Hole Plug                 | 2          |  |
| 26                                            | F001-65309A-01          | Gasket                    | 1          |  |
| 27                                            | 0T2D-65308A             | Drain Seat                | 1          |  |
| 28                                            | D009-2-01               | Drain Elbow               | 1          |  |
| 29                                            | F021-YQ27/310A-01       | Rubber hose               | 1          |  |
| 30                                            | 0MF-YQ20                | Wash Tank                 | 1          |  |
| 31                                            | 0MF-YQ23-325-1          | Front Panel               | 2          |  |
| 32                                            | 0JD-65998A              | Wash Tank Level Magnet    | 3          |  |
| 33                                            | G030-PG16-01            | Conduit                   | 1          |  |
| 34                                            | G029-PG11-01            | Conduit Head              | 1          |  |
| 35                                            | G044-XC-02              | Wire Trunk (50 cm)        | 1          |  |
| 36                                            | G021-82C-01             | Thermostat 82C            | 1          |  |

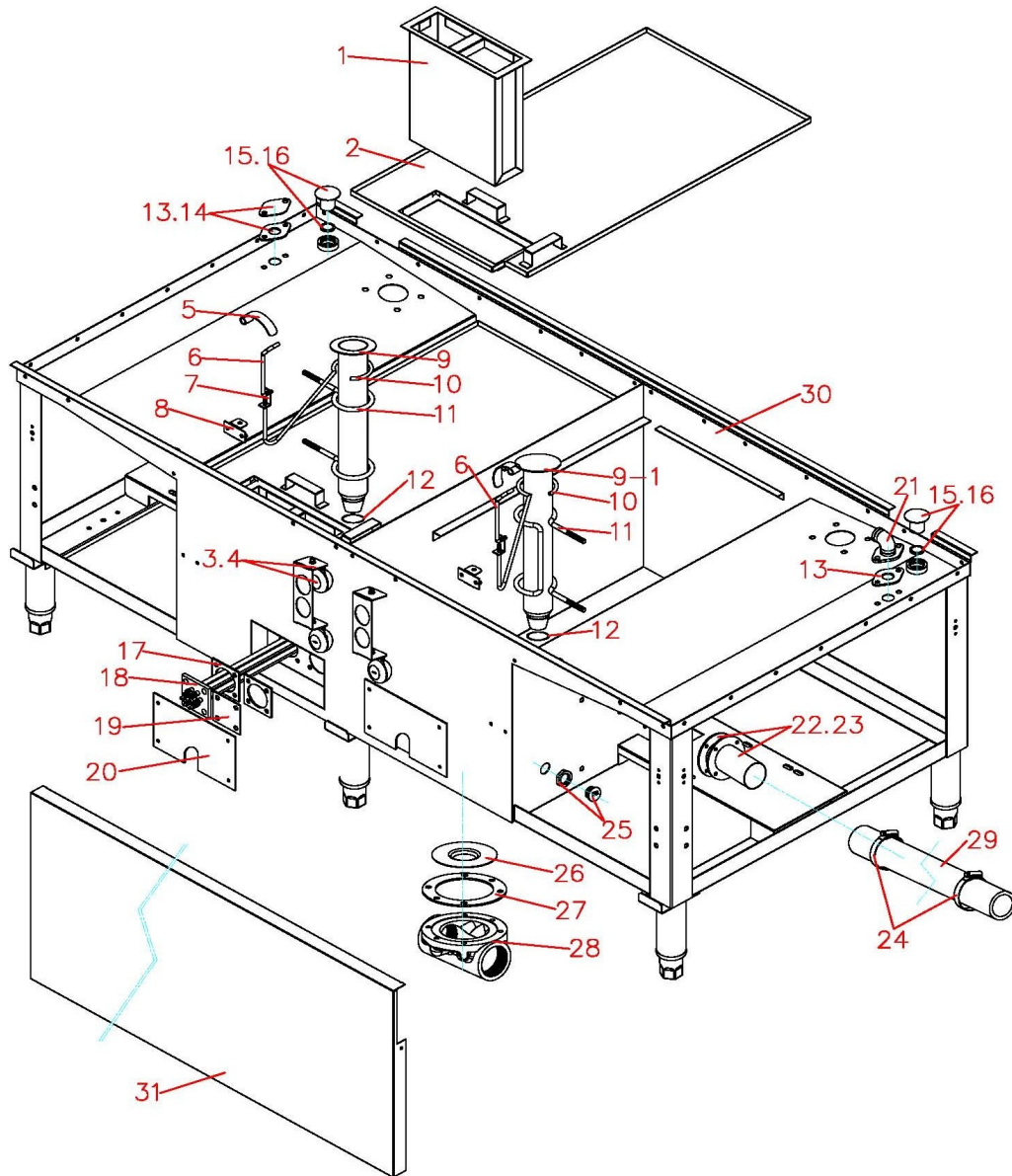
# Global-Tek Machinery Pte Ltd

|    |                    |                    |   |
|----|--------------------|--------------------|---|
| 37 | G065-WZJ/4010/2-01 | Temperature probe  | 1 |
| 38 | G050-D26-01        | Bushing            | 2 |
| 39 | 0CD-YQ14-301       | Terminal block     | 1 |
| 40 | 0CD-YQ24-303       | Junction Box       | 1 |
| 41 | 0CD-YQ24-302       | Junction Box Cover | 1 |



# Global-Tek Machinery Pte Ltd

## Double Wash Tank Component (old model)

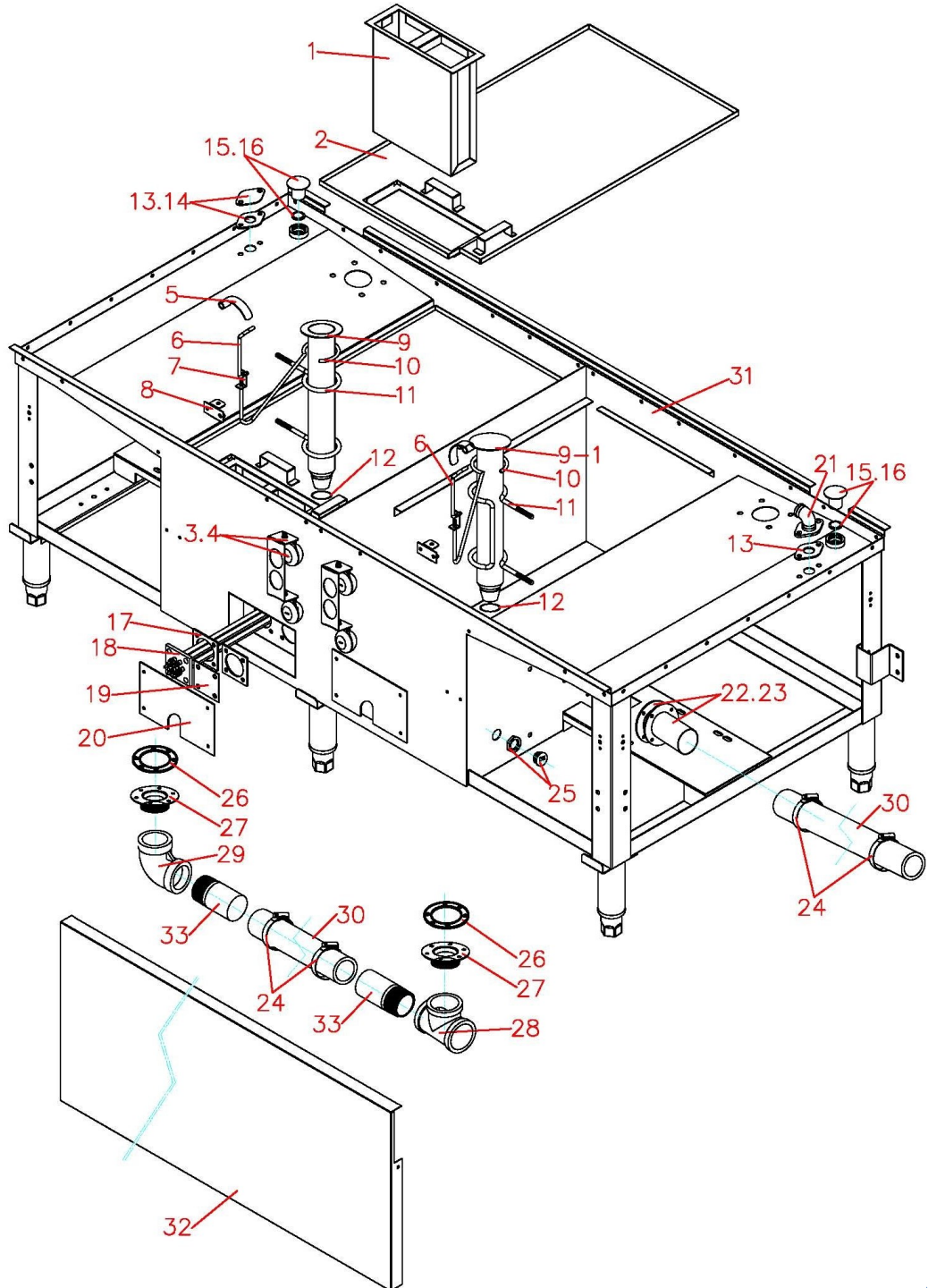


# Global-Tek Machinery Pte Ltd

| <b>Double Wash Tank Component (old model)</b> |                                          |                            |            |
|-----------------------------------------------|------------------------------------------|----------------------------|------------|
| <b>Item No.</b>                               | <b>Parts Series No.</b>                  | <b>Parts Name</b>          | <b>Qty</b> |
| 1                                             | 0CD-YQ23-323                             | Basket                     | 2          |
| 2                                             | <del>0MF-YQ23-322</del><br>0MF-YQ23-322L | Scrap Tray (left or right) | 2          |
| 3                                             | 0T2D-70309                               | Floating Ball              | 4          |
| 4                                             | 0CD-YQ23-318                             | Float Ball Bracket         | 4          |
| 5                                             | 0CD-YQ23-304                             | Drain Handle               | 2          |
| 6                                             | 0CD-YQ23-317-3                           | Drain Pipe Guider          | 2          |
| 7                                             | 0CD-YQ23-317-2                           | Drain Link                 | 2          |
| 8                                             | 0CD-YQ23-317-1                           | Drain Guide holder         | 2          |
| 9                                             | 0CD-YQ23-336                             | Drain / Overflow Pipe      | 1          |
| 9-1                                           | 0CD-YQ23-336A                            | Drain Pipe                 | 1          |
| 10                                            | 0CD-YQ23-317-4                           | Drain Lift Link            | 2          |
| 11                                            | 0CD-YQ23-306                             | Drain Pipe Guider          | 2          |
| 12                                            | F002-34.5x5.3-01                         | Drain O Ring               | 2          |
| 13                                            | F001-50317-01                            | Gasket                     | 2          |
| 14                                            | 0T2D-65323                               | Hold Plug                  | 1          |
| 15                                            | 0MF-YQ20-314                             | choke plug                 | 1          |
| 16                                            | F002-25x2.65-01                          | O Ring                     | 2          |
| 17                                            | F001-40309-01                            | Gasket                     | 4          |
| 18                                            | G005-9KW-02                              | Wash Tank Heating Element  | 2          |
| 19                                            | 0T2D-40305                               | Heater Hold Plug           | 2          |
| 20                                            | MF-YQ23-310                              | Heater Cover               | 2          |
| 21                                            | 0MF-YQ20-316                             | Fill Elbow                 | 1          |
| 22                                            | F001-60307A-01                           | Gasket                     | 1          |
| 23                                            | 0CD-YQ27-309                             | By-pass Hose               | 2          |
| 24                                            | E018-46x70-01                            | Hose Clamp                 | 2          |
| 25                                            | F005-M22-01                              | Hole Plug                  | 2          |
| 26                                            | 0T2D-65308-2                             | Washer                     | 2          |
| 27                                            | F001-65309-01                            | Gasket                     | 2          |
| 28                                            | A012-65308/1/B-01                        | Drain Stand                | 2          |
| 29                                            | F021-YQ27/310A-01                        | Rubber hose                | 1          |
| 30                                            | 0MF-YQ20                                 | Double Wash Tank           | 1          |
| 31                                            | 0MF-YQ23-325-1                           | Front Panel                | 2          |

# Global-Tek Machinery Pte Ltd

## Double Wash Tank Component (new model)

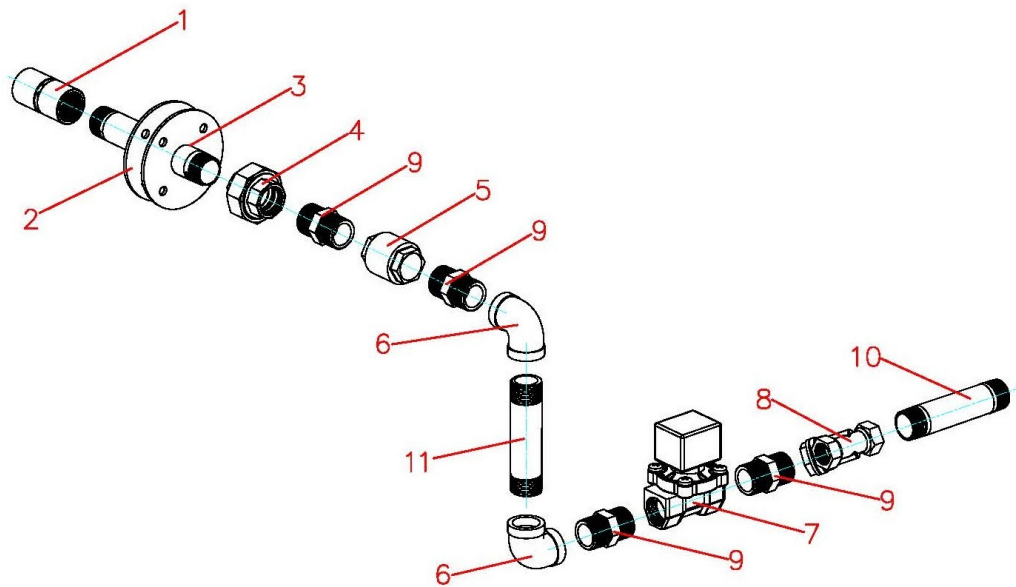


# Global-Tek Machinery Pte Ltd

| <b>Double Wash Tank Component (new model)</b> |                               |                           |            |
|-----------------------------------------------|-------------------------------|---------------------------|------------|
| <b>Item No.</b>                               | <b>Parts Series No.</b>       | <b>Parts Name</b>         | <b>Qty</b> |
| 1                                             | 0CD-YQ23-323                  | Basket                    | 2          |
| 2                                             | 0MF-YQ23-322<br>0MF-YQ23-322L | Scrap Tray                | 2          |
| 3                                             | 0T2D-70309                    | Floating Ball             | 4          |
| 4                                             | 0CD-YQ23-318                  | Float Ball Bracket        | 4          |
| 5                                             | 0CD-YQ23-304                  | Drain handle              | 2          |
| 6                                             | 0CD-YQ23-317-3                | Drain Pipe Guider         | 2          |
| 7                                             | 0CD-YQ23-317-2                | Drain Link                | 2          |
| 8                                             | 0CD-YQ23-317-1                | Drain Guide holder        | 2          |
| 9                                             | 0CD-YQ23-336                  | Drain Pipe                | 1          |
| 9-1                                           | 0CD-YQ23-336A                 | Drain Pipe                | 1          |
| 10                                            | 0CD-YQ23-317-4                | Drain Lift Link           | 2          |
| 11                                            | 0CD-YQ23-306                  | Drain Pipe Guider         | 2          |
| 12                                            | F002-34.5x5.3-01              | Drain O Ring              | 2          |
| 13                                            | F001-50317-01                 | Gasket                    | 2          |
| 14                                            | 0T2D-65323                    | Hold Plug                 | 1          |
| 15                                            | 0MF-YQ20-314                  | choke plug                | 1          |
| 16                                            | F002-25x2.65-01               | O Ring                    | 2          |
| 17                                            | F001-40309-01                 | Gasket                    | 4          |
| 18                                            | G005-9KW-02                   | Wash Tank Heating Element | 2          |
| 19                                            | 0T2D-40305                    | Heater Hold Plug          | 2          |
| 20                                            | MF-YQ23-310                   | Heater Cover              | 2          |
| 21                                            | 0MF-YQ20-316                  | Fill Elbow                | 1          |
| 22                                            | F001-60307A-01                | Gasket                    | 1          |
| 23                                            | 0CD-YQ27-309                  | By-pass Hose              | 2          |
| 24                                            | E018-46x70-01                 | Hose Clamp                | 4          |
| 25                                            | F005-M22-01                   | Hole Plug                 | 2          |
| 26                                            | F001-65309A-01                | Gasket                    | 2          |
| 27                                            | 0T2D-65308A                   | Drain Stand               | 2          |
| 28                                            | D006-2-01                     | Drain Tee                 | 1          |
| 29                                            | D009-2-01                     | Drain Elbow               | 2          |
| 30                                            | F021-YQ27/310A-01             | Drain Rubber hose         | 2          |
| 31                                            | 0MF-YQ20                      | Double Wash Tank          | 1          |
| 32                                            | 0MF-YQ23-325-1                | Front Panel               | 2          |
| 33                                            | 0CD-D50                       | Single head silk          | 2          |

# Global-Tek Machinery Pte Ltd

## Wash Tank Steam Heat Piping (direct injection)

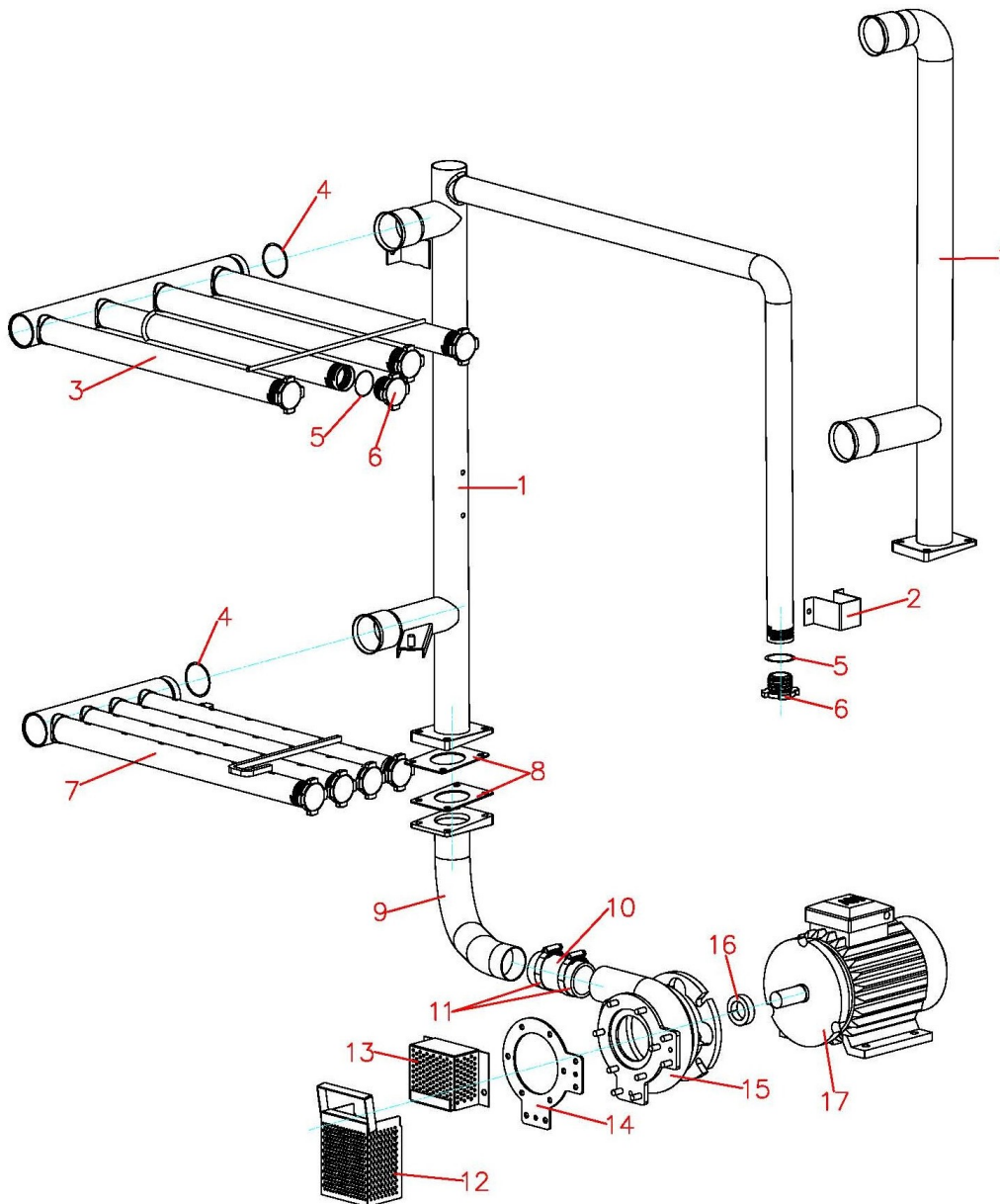


# Global-Tek Machinery Pte Ltd

| <b>Wash Tank Steam Heat Piping (direct injection)</b> |                         |                      |            |
|-------------------------------------------------------|-------------------------|----------------------|------------|
| <b>Item No.</b>                                       | <b>Parts Series No.</b> | <b>Parts Name</b>    | <b>Qty</b> |
| 1                                                     | A012-65312/2-01         | Silencer             | 1          |
| 2                                                     | 0T12Z-65312-3           | Gasket               | 1          |
| 3                                                     | 0T12Z-65312             | Steam Connection     | 1          |
| 4                                                     | D014-3/4-01             | Coupling Joint       | 1          |
|                                                       | <del>D014-3/4-02</del>  |                      |            |
|                                                       | D014-3/4-03             |                      |            |
|                                                       | <del>D014-3/4-04</del>  |                      |            |
| 5                                                     | D020-3/4-01             | Check Valve          | 1          |
| 6                                                     | <del>D009-3/4-01</del>  | ¾" S.S. Elbow        | 2          |
| 7                                                     | G017-AC110V-01          | Steam Solenoid Valve | 1          |
| 8                                                     | D016-3/4-01             | Strainer             | 1          |
| 9                                                     | D004-3/4-01             | ¾" S.S. Joint        | 4          |
| 10                                                    | D004-3/4x60-01          | ¾" S.S. Joint        | 1          |
| 11                                                    | D004-3/4x75-01          | ¾" S.S. Joint        | 1          |

# Global-Tek Machinery Pte Ltd

## Single Wash Arm Assembly



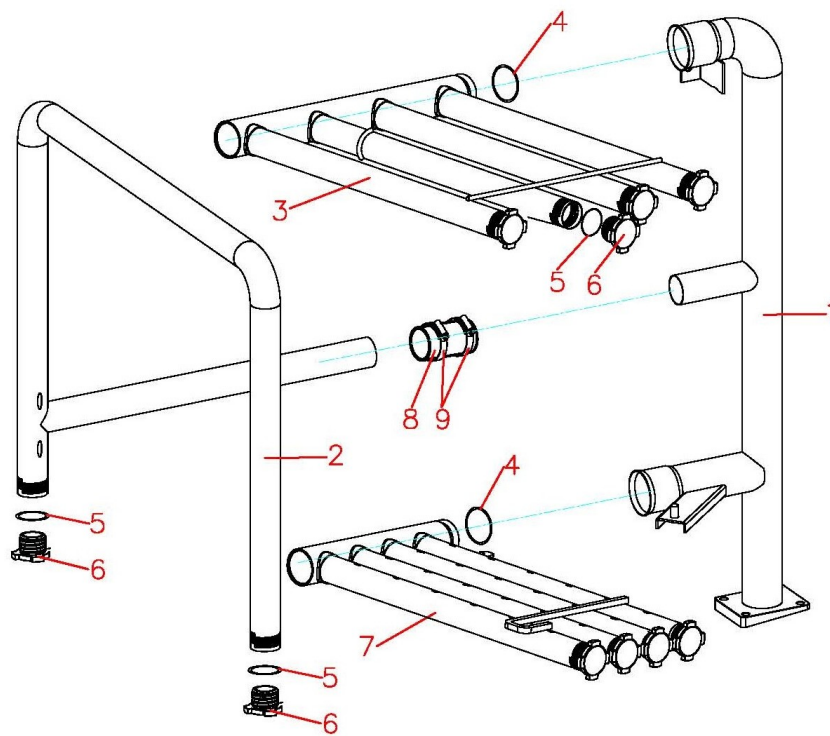
# Global-Tek Machinery Pte Ltd

| <b>Single Wash Arm Assembly</b> |                         |                                   |                                 |            |
|---------------------------------|-------------------------|-----------------------------------|---------------------------------|------------|
| <b>Item No.</b>                 | <b>Parts Series No.</b> | <b>Parts Name</b>                 | <b>Parts Name</b>               | <b>Qty</b> |
| 1                               | <u>0CD-YQ27-301A</u>    | <u>Stand Pipe with Side Spray</u> |                                 | 1          |
|                                 | 0CD-YQ27-301            | Stand Pipe w/o Side Spray         |                                 |            |
| 2                               | 0CD-YQ25-304            |                                   | Mounting Bracket for Side Spray | 1          |
| 3                               | 0T2D-50303              |                                   | Upper Wash Arm only             | 1          |
| 4                               | F002-40x5.3-01          |                                   | Wash Arm O Ring                 | 2          |
| 5                               | F002-28x2.65-01         |                                   | End-Cap O Ring                  | 9          |
| 6                               | F007-50339-01           |                                   | Wash Arm End-Cap                | 9          |
| 7                               | 0MF-YQ27-302            |                                   | Lower Wash Arm only             | 1          |
| 8                               | F001-50305-01           |                                   | Gasket                          | 2          |
| 9                               | 0MF-YQ27-307            |                                   | Wash Pump Elbow                 | 1          |
| 10                              | F021-D51-01             |                                   | Rubber Hose                     | 1          |
| 11                              | E018-46X70-01           |                                   | Hose Clamp                      | 2          |
| 12                              | 0T2D-65304              |                                   | Pump Intake Screen              | 1          |
| 13                              | 0T2D-60320              |                                   | Pump Intake Screen Holder       | 1          |
| 14                              | 0T2D-60319              |                                   | Wash Pump Gasket                | 1          |
| 15                              | A012-60316-01           |                                   | Wash Pump (complete)            | 1          |
| 16                              | A012-60317-01           |                                   | Coupling                        | 1          |
| 17                              | G002-2.2KW-01           | ABB-90S-50HZ-2.2KW                | ABB Wash Motor                  | 1          |
|                                 | G002-1.5KW-02           | ABB-90S-50HZ-1.5KW                |                                 |            |
|                                 | G002-1.5KW-01           | ABB-90S-60HZ-1.5KW                |                                 |            |
|                                 | G002-2.2KW-02           | ABB-90S-60HZ-2.2KW                |                                 |            |



# Global-Tek Machinery Pte Ltd

## Wash Arm w/ 4 Side Sprays Assembly (Left to Right)

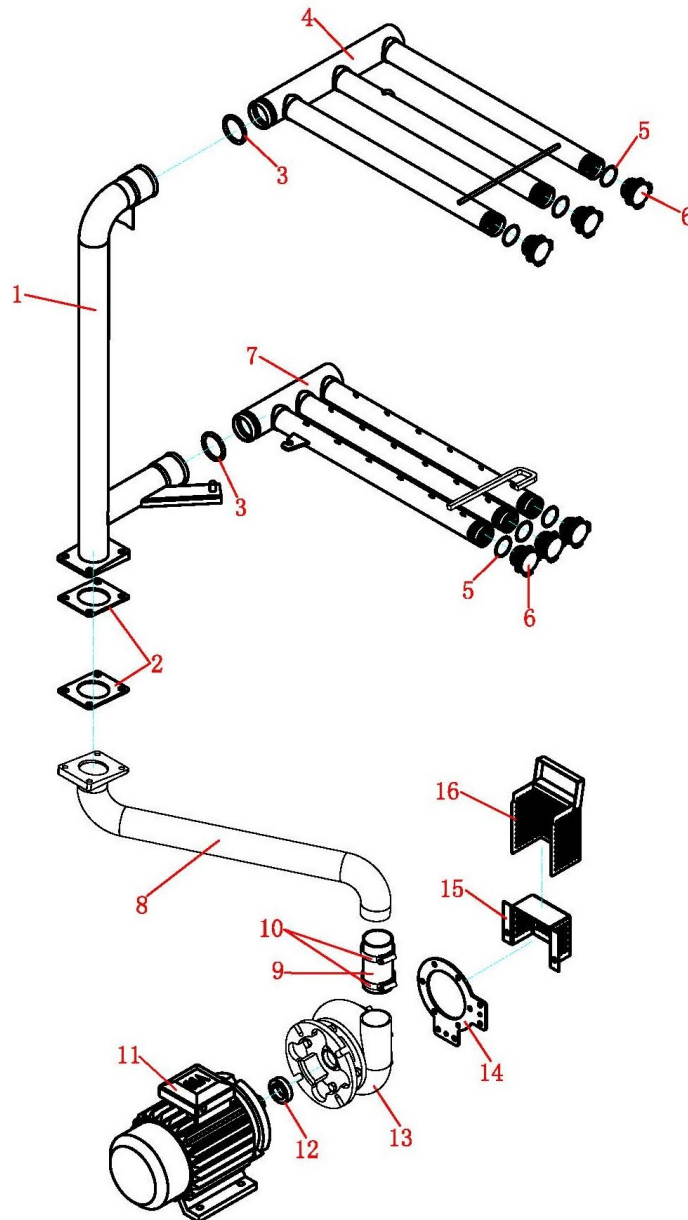


# Global-Tek Machinery Pte Ltd

| <b>Wash Arm Assembly (Left to Right)</b> |                         |                     |            |
|------------------------------------------|-------------------------|---------------------|------------|
| <b>Item No.</b>                          | <b>Parts Series No.</b> | <b>Parts Name</b>   | <b>Qty</b> |
| 1                                        | 0CD-YQ27-301            | Stand Pipe          | 1          |
| 2                                        | 0CD-YQ27-301-2AL        | Side Spray (left)   | 1          |
| 3                                        | 0T2D-50303              | Upper Wash Arm only | 1          |
| 4                                        | F002-40x5.3-01          | Wash Arm O Ring     | 2          |
| 5                                        | F002-28x2.65-01         | End-Cap O Ring      | 10         |
| 6                                        | F007-50339-01           | Wash Arm End-Cap    | 10         |
| 7                                        | 0MF-YQ27-302            | Lower Wash Arm only | 1          |
| 8                                        | F021-D38-01             | Rubber Hose         | 1          |
| 9                                        | E018-32X57-01           | Hose Clamp          | 2          |

# Global-Tek Machinery Pte Ltd

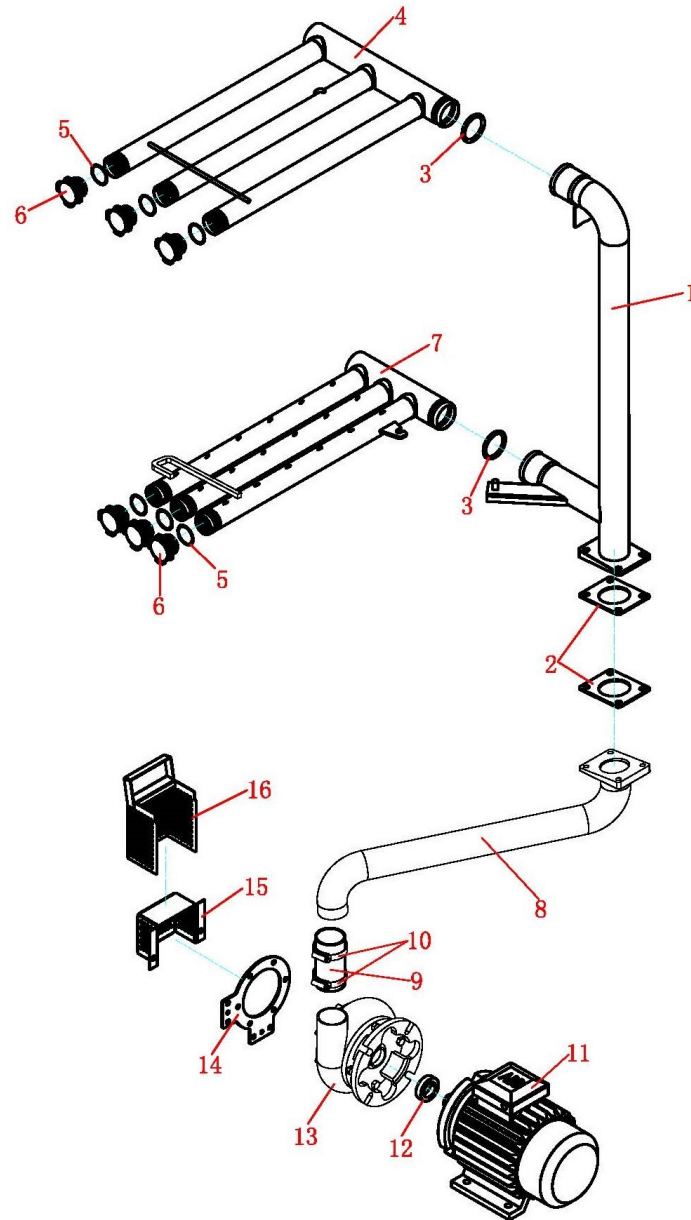
## Double Tank Wash Arm Assembly (left tank)



# Global-Tek Machinery Pte Ltd

| <b>Double Tank Wash Arm Assembly (left tank)</b> |                         |                              |            |
|--------------------------------------------------|-------------------------|------------------------------|------------|
| <b>Item No.</b>                                  | <b>Parts Series No.</b> | <b>Parts Name</b>            | <b>Qty</b> |
| 1                                                | 0MF-YQ27-301L           | Stand Pipe                   | 1          |
|                                                  | 0MF-YQ27-301AL          | Stand Pipe with Side Spray   |            |
| 2                                                | 0T2D-50303              | Gasket                       | 2          |
| 3                                                | F002-40x5.3-01          | Wash Arm O Ring              | 2          |
| 4                                                | 0T12D-50303L            | Upper Wash Arm only          | 1          |
| 5                                                | F002-28x2.65-01         | End-Cap O Ring               | 6          |
| 6                                                | F007-50339-01           | End-Cap                      | 6          |
| 7                                                | 0MF-YQ27-302AL          | Lower Wash Arm only          | 1          |
| 8                                                | 0MF-YQ27-307L           | Wash Pump Elbow              | 1          |
| 9                                                | F021-D51-01             | Rubber Hose                  | 1          |
| 10                                               | E018-46X70-01           | Hose Clamp                   | 2          |
| 11                                               | G002-2.2KW-01           | ABB-90S-50HZ-2.2KW           | 1          |
|                                                  | G002-1.5KW-02           | ABB-90S-50HZ-1.5KW           |            |
|                                                  | G002-1.5KW-01           | ABB-90S-60HZ-1.5KW           |            |
|                                                  | G002-2.2KW-02           | ABB-90S-60HZ-2.2KW           |            |
| 12                                               | A012-60317-01           | Coupling                     | 1          |
| 13                                               | A012-60316-01           | Wash Pump<br>(complete)      | 1          |
| 14                                               | F001-60319-01           | Wash Pump Gasket             | 1          |
| 15                                               | 0T12D-60320             | Pump Intake Screen           | 1          |
| 16                                               | 0T12D-60304             | Pump Intake Screen<br>Holder | 1          |

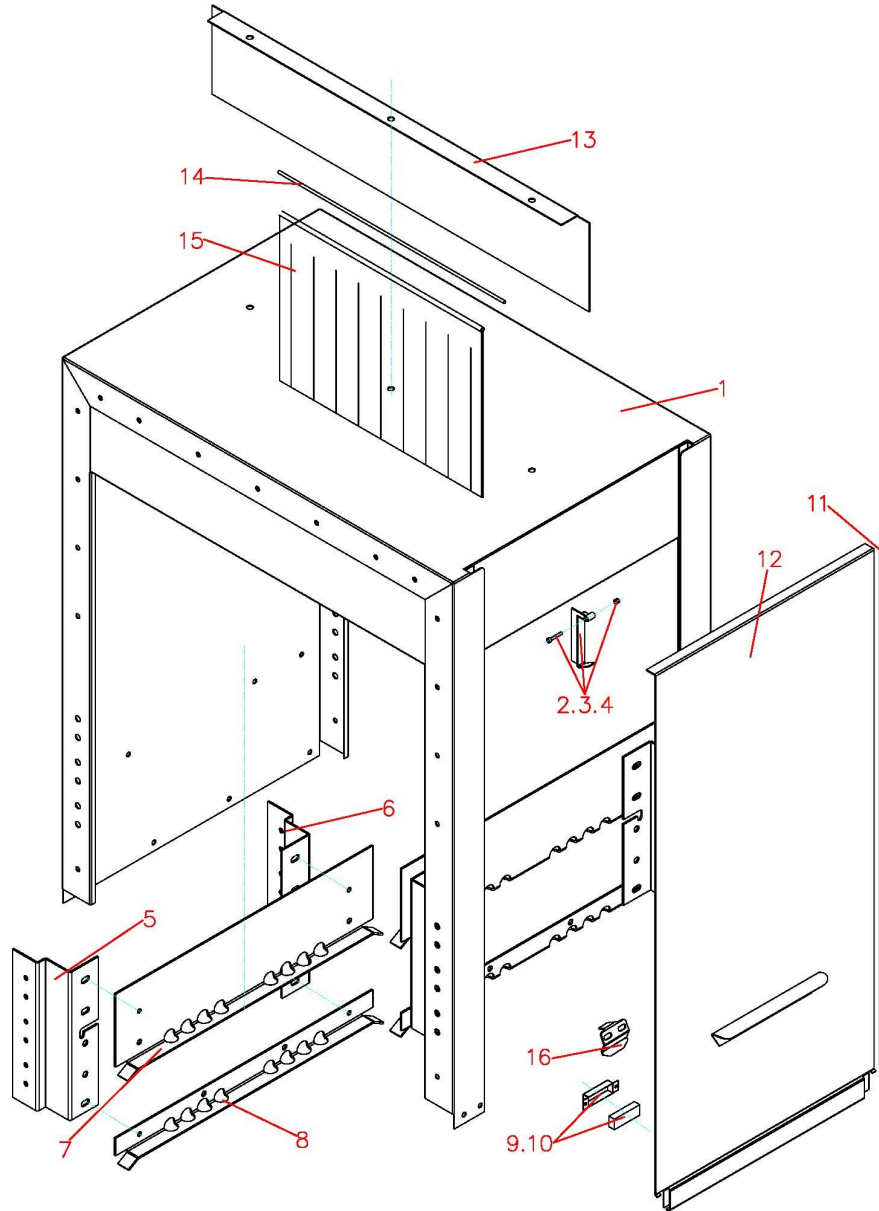
# Global-Tek Machinery Pte Ltd



# Global-Tek Machinery Pte Ltd

| <b>Double Tank Wash Arm Assembly (right tank)</b> |                                                                                |                                                                                      |                              |            |  |
|---------------------------------------------------|--------------------------------------------------------------------------------|--------------------------------------------------------------------------------------|------------------------------|------------|--|
| <b>Item No.</b>                                   | <b>Parts Series No.</b>                                                        | <b>Parts Name</b>                                                                    | <b>Parts Name</b>            | <b>Qty</b> |  |
| 1                                                 | <u>0CD-YQ27-301A</u><br>0CD-YQ27-301                                           | Stand Pipe with Side Spray<br>Stand Pipe                                             |                              | 1          |  |
| 2                                                 | 0T2D-50303                                                                     |                                                                                      | Gasket                       | 2          |  |
| 3                                                 | F002-40x5.3-01                                                                 |                                                                                      | Wash Arm O Ring              | 2          |  |
| 4                                                 | 0T12D-50303R                                                                   |                                                                                      | Upper Wash Arm Only          | 1          |  |
| 5                                                 | F002-28x2.65-01                                                                |                                                                                      | End-Cap O Ring               | 6          |  |
| 6                                                 | F007-50339-01                                                                  |                                                                                      | Wash Arm End-Cap             | 6          |  |
| 7                                                 | 0MF-YQ27-302AR                                                                 |                                                                                      | Lower Wash Arm only          | 1          |  |
| 8                                                 | 0MF-YQ27-307L                                                                  |                                                                                      | Wash Pump Elbow              | 1          |  |
| 9                                                 | F027-D50.8-01                                                                  |                                                                                      | Rubber Hose                  | 1          |  |
| 10                                                | E018-46X70-01                                                                  |                                                                                      | Hose Clamp                   | 2          |  |
| 11                                                | <u>G002-1.5KW-01</u><br><u>G002-2.2KW-02</u><br>G002-1.5KW-01<br>G002-2.2KW-01 | ABB-90S-50HZ-2.2KW<br>ABB-90S-50HZ-1.5KW<br>ABB-90S-60HZ-1.5KW<br>ABB-90S-60HZ-2.2KW | ABB Wash Motor               | 1          |  |
| 12                                                | A012-60317-01                                                                  |                                                                                      | Coupling                     | 1          |  |
| 13                                                | A012-60316/1-01                                                                |                                                                                      | Wash Pump                    | 1          |  |
| 14                                                | F001-60319-01                                                                  |                                                                                      | Wash Pump Gasket             | 1          |  |
| 15                                                | 0T12D-60320                                                                    |                                                                                      | Pump Intake Screen           | 1          |  |
| 16                                                | 0T12D-60304                                                                    |                                                                                      | Pump Intake Screen<br>Holder | 1          |  |

# Global-Tek Machinery Pte Ltd



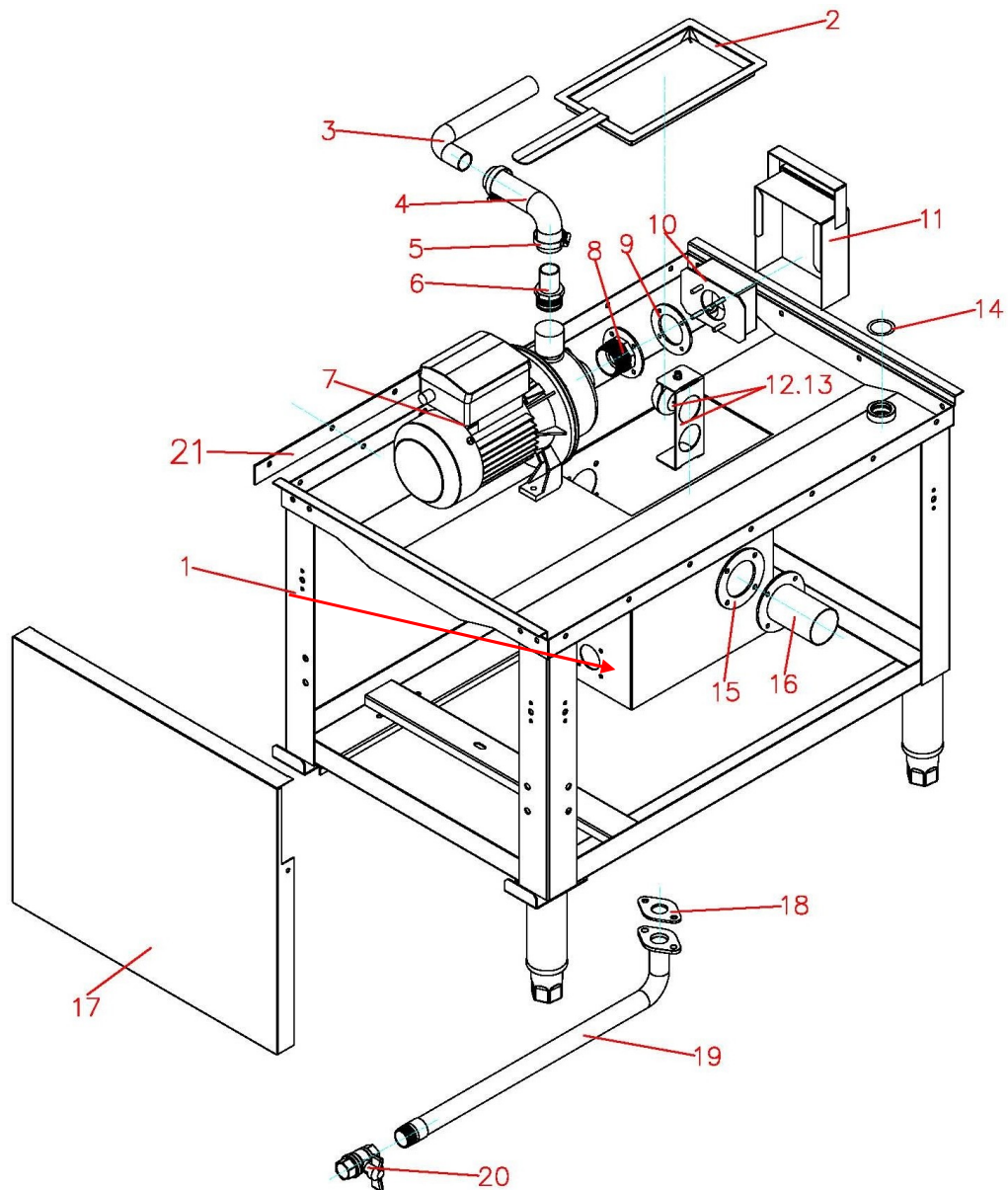
# Global-Tek Machinery Pte Ltd

| <b>Double Rinse Upper Hood</b> |                         |                      |            |
|--------------------------------|-------------------------|----------------------|------------|
| <b>Item No.</b>                | <b>Parts Series No.</b> | <b>Parts Name</b>    | <b>Qty</b> |
| 1                              | 0MF-PD31                | Upper Hood           | 1          |
| 2                              | E010-M5x30-01           | Hexagon Socket Screw | 1          |
| 3                              | 0CD-YQ23-331            | Door Hook            | 1          |
| 4                              | E015- M5-01             | Nut                  | 1          |
| 5                              | 0CD-YQ25-303L           | Bracket (left)       | 2          |
| 6                              | 0CD-YQ25-303R           | Bracket (right)      | 2          |
| 7                              | 0MF-PD35-301            | Guide Rail           | 2          |
| 8                              | 0MF-PD35-302            | Guide Rail           | 2          |
| 9                              | A005-10x17x51-01        | Magnet               | 1          |
| 10                             | 0T2D-65318-8            | Magnet Housing       | 1          |
| 11                             | F003-65326-01           | Door Guide           | 2          |
| 12                             | 0MF-PD33-302            | Door                 | 1          |
| 13                             | 0MF-PD33-303            | Curtain Holder       | 1          |
| 14                             | C004-D6-01              | Curtain Rod          | 2          |
| 15                             | F031-MF-01              | Curtain              | 2          |
| 16                             | 0T12D-65333             | Drain Closer         | 1          |



# Global-Tek Machinery Pte Ltd

## Double Rinse Tank (old model)

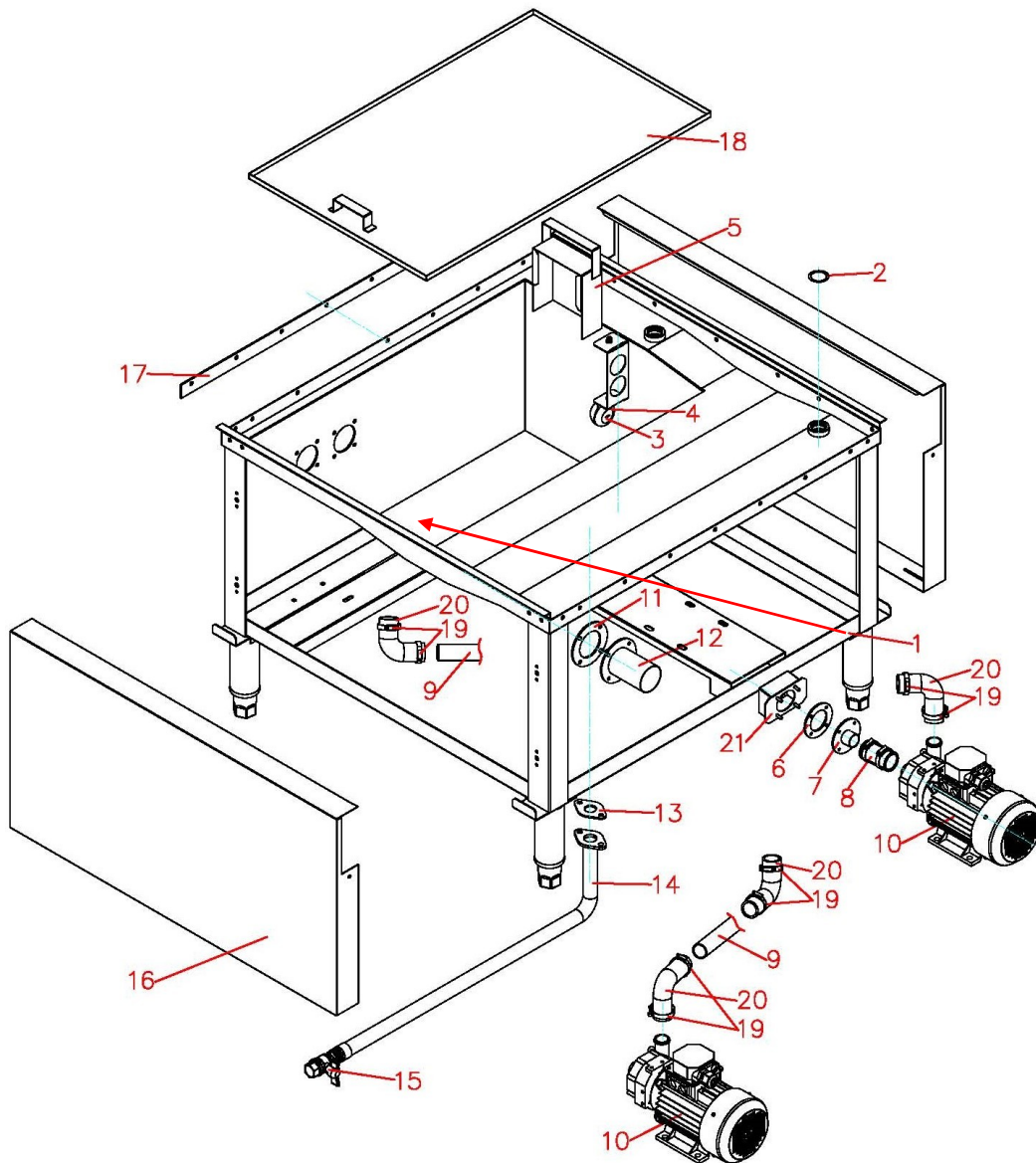


# Global-Tek Machinery Pte Ltd

| <b>Double Rinse Tank (old model)</b> |                                  |                                                            |             |   |
|--------------------------------------|----------------------------------|------------------------------------------------------------|-------------|---|
| <b>Item No.</b>                      | <b>Parts Series No.</b>          | <b>Parts Name</b>                                          | <b>Qty</b>  |   |
| 1                                    | 0MF-PD30(L-R)<br>0MF-PD30(R-L)   | Double Rinse Tank Base<br>(right to left or left to right) | 1           |   |
| 2                                    | 0MF-PD30-310                     | Scrap Tray                                                 | 1           |   |
| 3                                    | 0T2D-50309-9                     | Elbow Pipe                                                 | 1           |   |
| 4                                    | 0JD-50309-3A                     | Rubber Hose                                                | 1           |   |
| 5                                    | E018-18X38-01                    | Hose Clamp                                                 | 2           |   |
| 6                                    | 0T2D-50309-8                     | Hose Adapter                                               | 1           |   |
| 7                                    | G003-50/025-02<br>G003-50/025-01 | WBD50HZ/0.25KW<br>WBD60HZ/0.25KW                           | Rinse Motor | 1 |
| 8                                    | 0JD-60305                        | Wash Pump Inlet Flange                                     | 1           |   |
| 9                                    | F001-60307-01                    | Gasket                                                     | 1           |   |
| 10                                   | 0JD-60306                        | Pump Intake Screen Holder                                  | 1           |   |
| 11                                   | 0JD-65304                        | Pump Intake Screen                                         | 1           |   |
| 12                                   | 0T2D-70309                       | Floating Ball                                              | 1           |   |
| 13                                   | 0CD-YQ23-318                     | Float Ball Bracket                                         | 1           |   |
| 14                                   | F002-25x2.65-01                  | O Ring                                                     | 2           |   |
| 15                                   | F001-60307A-01                   | Gasket                                                     | 2           |   |
| 16                                   | 0CD-YQ27-309                     | By-Pass Frank                                              | 2           |   |
| 17                                   | 0MF-PD33-307                     | Lower Front Panel                                          | 2           |   |
| 18                                   | F001-50317-01                    | Gasket                                                     | 1           |   |
| 19                                   | 0CD-PD37-310                     | Drain Connecting Pipe                                      | 1           |   |
| 20                                   | D018-1/2-01                      | Drain Valve                                                | 1           |   |
| 21                                   | 0JD-60306                        | Bracket                                                    | 1           |   |

# Global-Tek Machinery Pte Ltd

## Double Rinse Tank (new model)

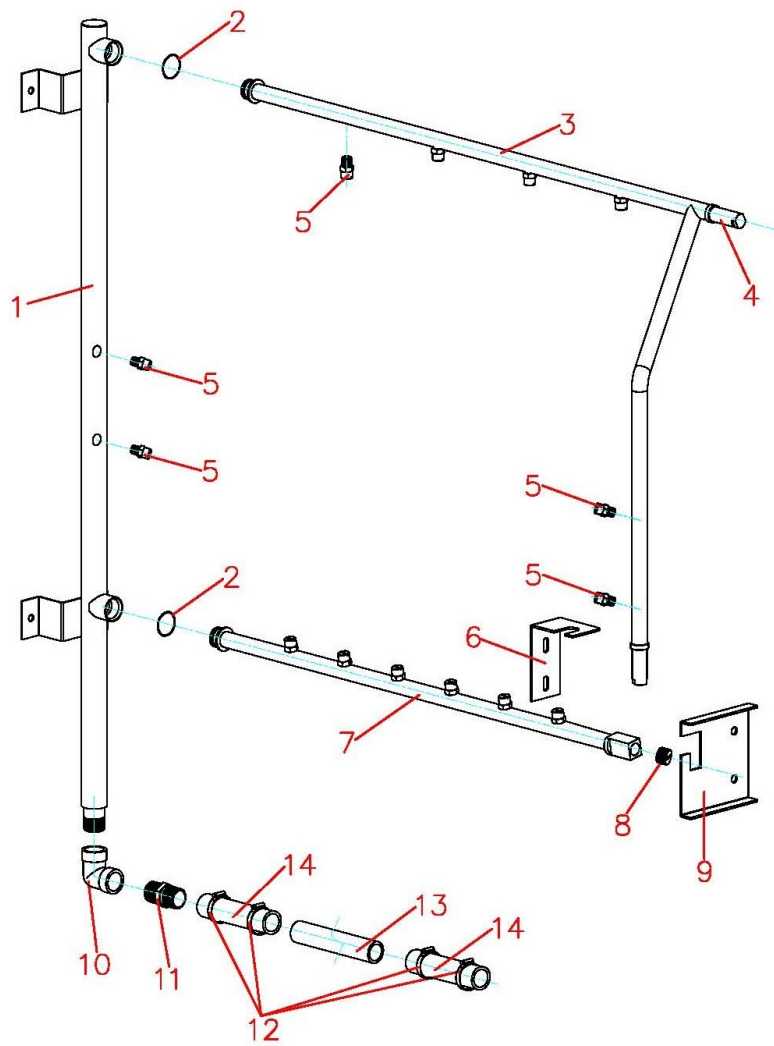


# Global-Tek Machinery Pte Ltd

| <u>Double Rinse Tank (new model)</u> |                                        |                                    |                                                            |       |
|--------------------------------------|----------------------------------------|------------------------------------|------------------------------------------------------------|-------|
| Item No.                             | Parts Series No.                       | Parts Name                         | Parts Name                                                 | Qty   |
| 1                                    | 0MF-PD30A(L-R)<br>0MF-PD30A(R-L)       |                                    | Double Rinse Tank Base<br>(left to right or right to left) | 1     |
| 2                                    | F002-25x2.65-01                        |                                    | O Ring                                                     | 2     |
| 3                                    | 0T2D-70309                             |                                    | Floating Ball                                              | 1     |
| 4                                    | 0CD-YQ23-318                           |                                    | Float Ball Bracket                                         | 1     |
| 5                                    | 0JD-65304                              |                                    | Pump Intake Screen                                         | 1     |
| 6                                    | F001-60307-01                          |                                    | Gasket                                                     | 1     |
| 7                                    | 0JD-60305                              |                                    | Wash Pump Inlet Flange                                     | 1     |
| 8                                    | F021-D25-01                            |                                    | Rubber Hose                                                | 0.1 米 |
| 9                                    | C001-D19X1.2-01                        |                                    | Rubber Hose                                                | 1     |
| 10                                   | G003-2226/4160-01<br>G003-2226/2540-01 | FIR 0.15KW-60HZ<br>FIR 0.15KW-50HZ | Rinse Motor                                                | 1     |
| 11                                   | F001-60307A-01                         | 密封墊-JD-60307A                      | Gasket                                                     | 2     |
| 12                                   | 0CD-YQ27-309                           | 溢水口                                | By-Pass Frank                                              | 2     |
| 13                                   | F001-50317-01                          | 密封墊-T2D-50317                      | Gasket                                                     | 1     |
| 14                                   | 0CD-PD37-310                           | 双喷淋排水口                             | Drain Connecting Pipe                                      | 1     |
| 15                                   | D018-1/2-01                            | 銅蝶閥-1/2                            | Drain Valve                                                | 1     |
| 16                                   | 0MF-PD33-307                           | 底面板                                | Lower Front Panel                                          | 2     |
| 17                                   | 0CD-YQ23-313                           | 压条                                 | Bracket                                                    | 2     |
| 18                                   | 0MF-PD30-310A                          | 垃圾籃                                | Scrap Tray                                                 | 1     |
| 19                                   | E018-18X38-01                          | 喉箍-XG-18-38                        | Hose Clamp                                                 | 4     |
| 20                                   | 0JD-50309-3A                           | 橡膠管-JD-50309-3A                    | Rubber Hose                                                | 2     |
| 21                                   | 0JD-60306                              | 网罩插座                               | Pump Intake Bracket                                        | 1     |

# Global-Tek Machinery Pte Ltd

## Double Rinse Assembly (old model)

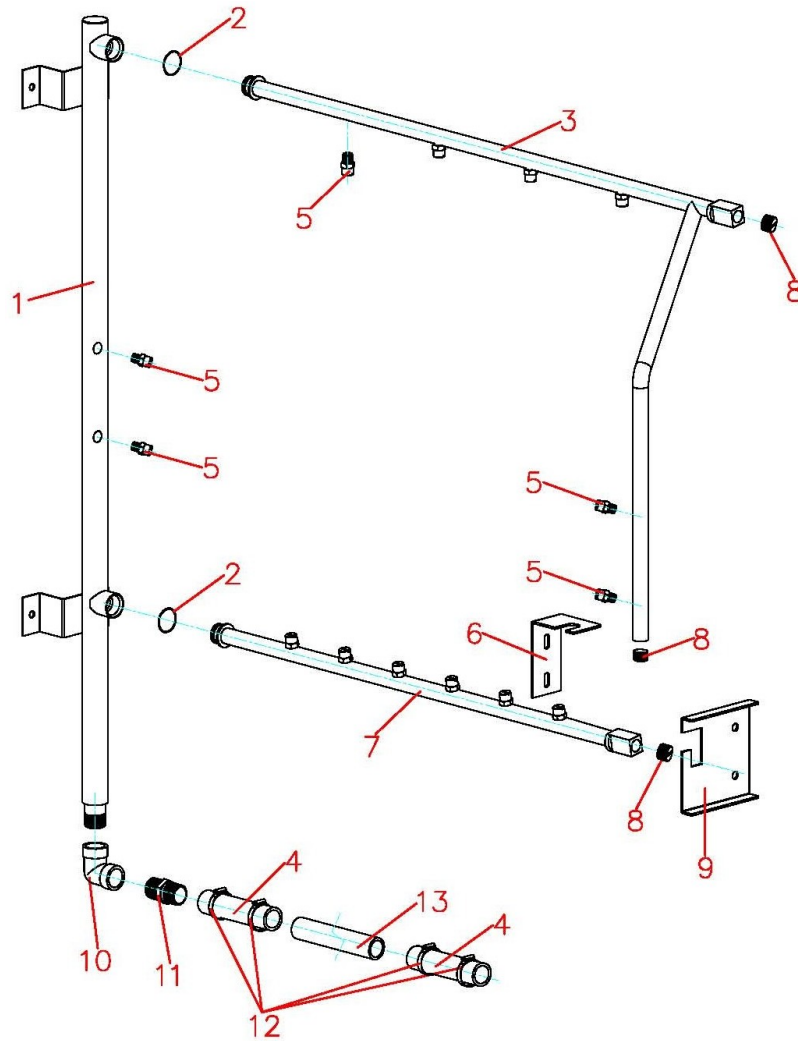


# Global-Tek Machinery Pte Ltd

| <b>Double Rinse Assembly (old model)</b> |                                       |                                                                 |            |  |
|------------------------------------------|---------------------------------------|-----------------------------------------------------------------|------------|--|
| <b>Item No.</b>                          | <b>Parts Series No.</b>               | <b>Parts Name</b>                                               | <b>Qty</b> |  |
| 1                                        | 0CD-PD37-301                          | Stand Pipe                                                      | 1          |  |
| 2                                        | F002-12.5x2.65-01                     | O Ring                                                          | 2          |  |
| 3                                        | 0MF-PD37-302                          | Upper Final Rinse Arm<br>(without nozzles, O-ring &<br>end-cap) | 1          |  |
| 4                                        | A012-PD37/302/5-01                    | Adapter Connector                                               | 2          |  |
| 5                                        | A012-50311/6-03                       | Final Rinse Nozzle                                              | 14         |  |
| 6                                        | 0CD-PD37-304                          | Side Rinse Holder                                               | 1          |  |
| 7                                        | 0MF-PD37-303                          | Lower Rinse Arm                                                 | 1          |  |
| 8                                        | A012-50311/5-01                       | Copper End-Cap                                                  | 1          |  |
| 9                                        | <u>0MF-PD37-305L</u><br>0MF-PD37-305R | Lower Rinse Arm Bracket<br>(left or right)                      | 1          |  |
| 10                                       | D009-1/2-01                           | ½”S.S. Bend                                                     | 1          |  |
| 11                                       | D004-1/2-01                           | ½” S.S. Coupling                                                | 1          |  |
| 12                                       | E018-18X38-01                         | Hose Clamp                                                      | 4          |  |
| 13                                       | C001-D25X1.5-01                       | Stainless steel pipe                                            | 1          |  |
| 14                                       | F021-D25-01                           | Rubber hose                                                     | 1          |  |

# Global-Tek Machinery Pte Ltd

## Single Rinse Assembly (New)



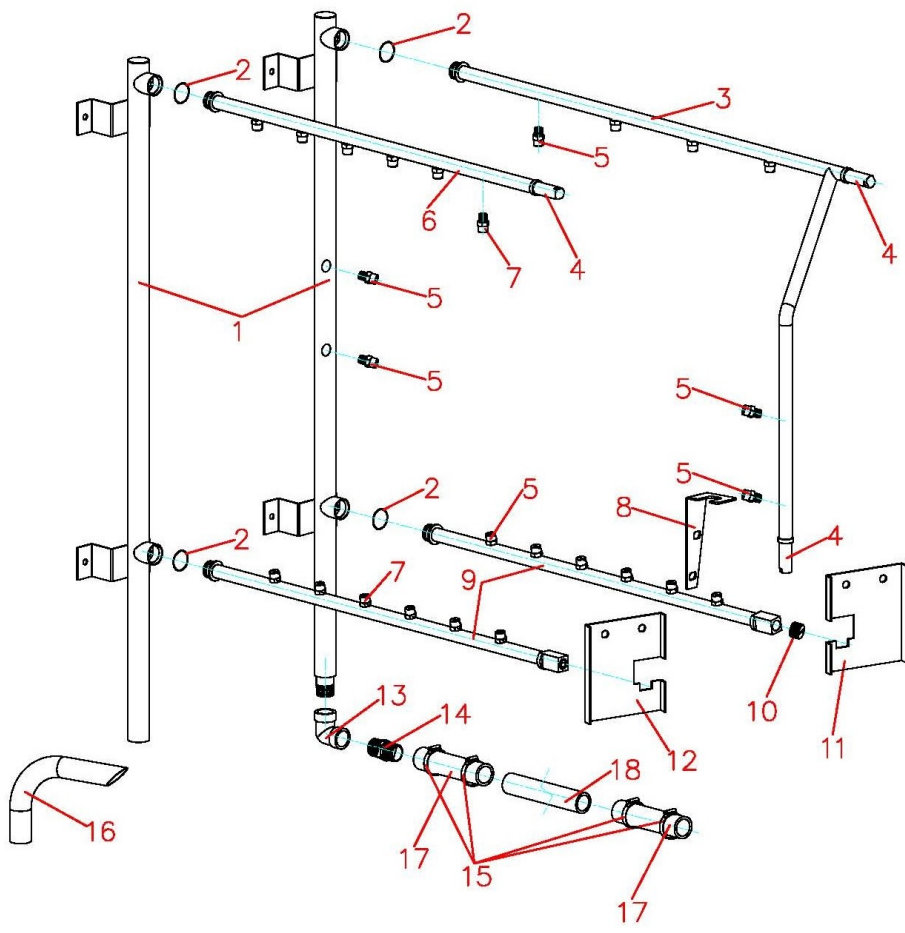
# Global-Tek Machinery Pte Ltd

| <b>Single Rinse Assembly (New)</b> |                         |                                                            |            |
|------------------------------------|-------------------------|------------------------------------------------------------|------------|
| <b>Item No.</b>                    | <b>Parts Series No.</b> | <b>Parts Name</b>                                          | <b>Qty</b> |
| 1                                  | 0CD-PD37-301            | Stand Pipe                                                 | 1          |
| 2                                  | F002-12.5x2.65-01       | Rinse Arm O Ring                                           | 2          |
| 3                                  | 0MF-PD37-302            | Upper Final Rinse Arm<br>(w/o nozzles, end-cap,<br>O-ring) | 1          |
| 4                                  | F021-D25-01             | Connecting Rubber hose                                     | 1          |
| 5                                  | A012-50311/6-03         | Final Rinse Nozzle                                         | 14         |
| 6                                  | 0CD-PD37-304            | Rinse Arm Bracket                                          | 1          |
| 7                                  | 0MF-PD37-303            | Lower Rinse Arm (w/o<br>nozzles, end-cap, O-ring)          | 1          |
| 8                                  | A012-50311/5-01         | Rinse Arm End-cap                                          | 3          |
| 9                                  | 0MF-PD37-305L           | Rinse Arm Holder (L->R)                                    | 1          |
|                                    | 0MF-PD37-305R           | Rinse Arm Holder (R->L))                                   | 1          |
| 10                                 | D009-1/2-01             | ½”S.S. Elbow                                               | 1          |
| 11                                 | D004-1/2-01             | ½” S.S. counpling                                          | 1          |
| 12                                 | E018-18X38-01           | Hose Clamp                                                 | 4          |
| 13                                 | C001-D25X1.5-01         | Stainless steel pipe                                       | 1          |



# Global-Tek Machinery Pte Ltd

## Double Rinse Assembly (Old)

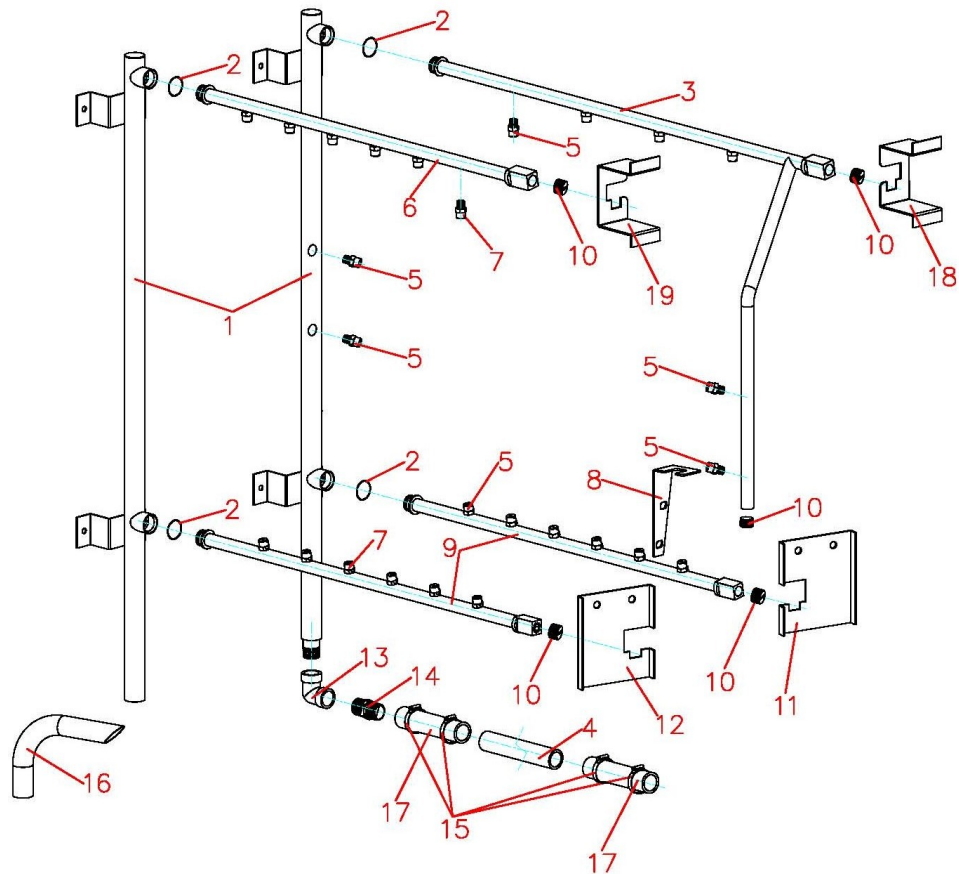


# Global-Tek Machinery Pte Ltd

| <b>Double Rinse Assembly ( Old )</b> |                         |                                                             |            |
|--------------------------------------|-------------------------|-------------------------------------------------------------|------------|
| <b>Item No.</b>                      | <b>Parts Series No.</b> | <b>Parts Name</b>                                           | <b>Qty</b> |
| 1                                    | 0CD-PD37-301            | Stand Pipe                                                  | 2          |
| 2                                    | F002-12.5x2.65-01       | Rinse Arm O Ring                                            | 4          |
| 3                                    | 0MF-PD37-302            | Upper Final Rinse Arm<br>(w/o nozzles, end-cap &<br>O-ring) | 1          |
| 4                                    | A012-PD37/303/5-01      | Adapter Connector                                           | 3          |
| 5                                    | A012-50311/6-03         | Final Rinse Nozzle                                          | 14         |
| 6                                    | 0MF-PD37-302A           | Upper Pre-Rinse Arm<br>(w/o nozzles, end-cap &<br>O-ring)   | 1          |
| 7                                    | A012-50311/6-01         | Pre-Rinse Nozzle                                            | 12         |
| 8                                    | 0MF-PD37-304            | Side Rinse Arm Bracket                                      | 1          |
| 9                                    | 0MF-PD37-303            | Lower Rinse Arm<br>(pre-rinse or final rinse)               | 2          |
| 10                                   | A012-50311/5-01         | Rinse Arm End-cap                                           | 2          |
| 11                                   | 0MF-PD37-305AR          | Lower Final Rinse Arm<br>Bracket                            | 1          |
| 12                                   | 0MF-PD37-305AL          | Lower Rinse Arm Bracket                                     | 1          |
| 13                                   | D009-1/2-01             | ½”S.S. Elbow                                                | 1          |
| 14                                   | D004-1/2-01             | ½” S.S. Coupling                                            | 1          |
| 15                                   | E018-18X38-01           | Hose Clamp                                                  | 4          |
| 16                                   | 0CD-PD37-306            | Fill Elbow                                                  | 1          |
| 17                                   | F021-D25-01             | Connecting Rubber hose                                      | 1          |
| 18                                   | C001-D25X1.5-01         | Stainless steel pipe                                        | 1          |

# Global-Tek Machinery Pte Ltd

## Double Rinse Arm Assembly (New)

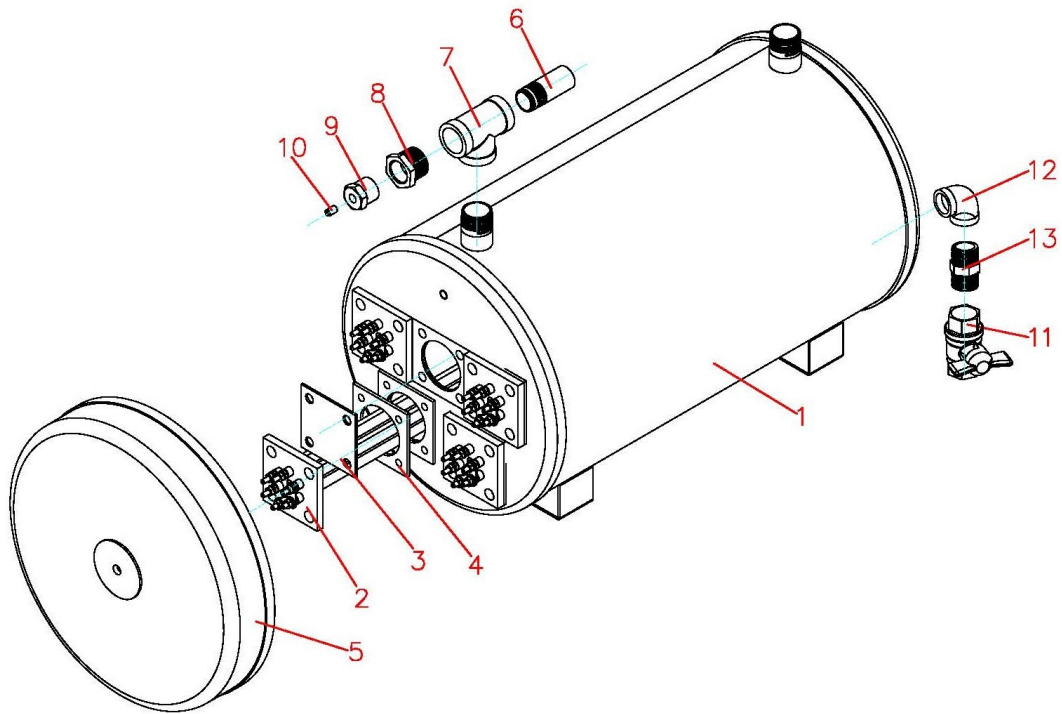


# Global-Tek Machinery Pte Ltd

| <b>Double Rinse Arm Assembly (New)</b> |                         |                                                       |            |
|----------------------------------------|-------------------------|-------------------------------------------------------|------------|
| <b>Item No.</b>                        | <b>Parts Series No.</b> | <b>Parts Name</b>                                     | <b>Qty</b> |
| 1                                      | 0CD-PD37-301            | Stand Pipe                                            | 2          |
| 2                                      | F002-12.5x2.65-01       | Rinse Arm O Ring                                      | 4          |
| 3                                      | 0MF-PD37-302            | Upper Final Rinse Arm (w/o nozzles, end-cap & O-ring) | 1          |
| 4                                      | C001-D25X1.5-01         | Stainless steel pipe                                  | 1          |
| 5                                      | A012-50311/6-03         | Final Rinse Nozzle                                    | 14         |
| 6                                      | 0MF-PD37-302A           | Upper Pre-rinse Arm (w/o nozzle, end-cap & O-ring)    | 1          |
| 7                                      | A012-50311/6-01         | Pre Rinse Nozzle                                      | 12         |
| 8                                      | 0CD-PD37-304            | Side Rinse Arm Bracket                                | 1          |
| 9                                      | 0MF-PD37-303            | Lower Rinse Arm (pre-rinse or final rinse)            | 2          |
| 10                                     | A012-50311/5-01         | Rinse Arm End-cap                                     | 5          |
| 11                                     | 0MF-PD37-305AR          | Lower Final Rinse Arm Bracket                         | 1          |
| 12                                     | 0MF-PD37-305AL          | Lower Pre-rinse Arm Bracket                           | 1          |
| 13                                     | D009-1/2-01             | ½”S.S. Elbow                                          | 1          |
| 14                                     | D004-1/2-01             | ½” S.S. Coupling                                      | 1          |
| 15                                     | E018-18X38-01           | Hose Clamp                                            | 4          |
| 16                                     | 0CD-PD37-306            | Fill Elbow                                            | 1          |
| 17                                     | F021-D25-01             | Rubber Jointing Hose                                  | 1          |
| 18                                     | 0CD-PD31-302A-L         | Upper Final Rinse Arm Bracket                         | 1          |
| 19                                     | 0CD-PD31-302R-A         | Upper Pre-rinse Arm Bracket                           | 1          |

# Global-Tek Machinery Pte Ltd

## Electricity Heat Booster Heater Assembly

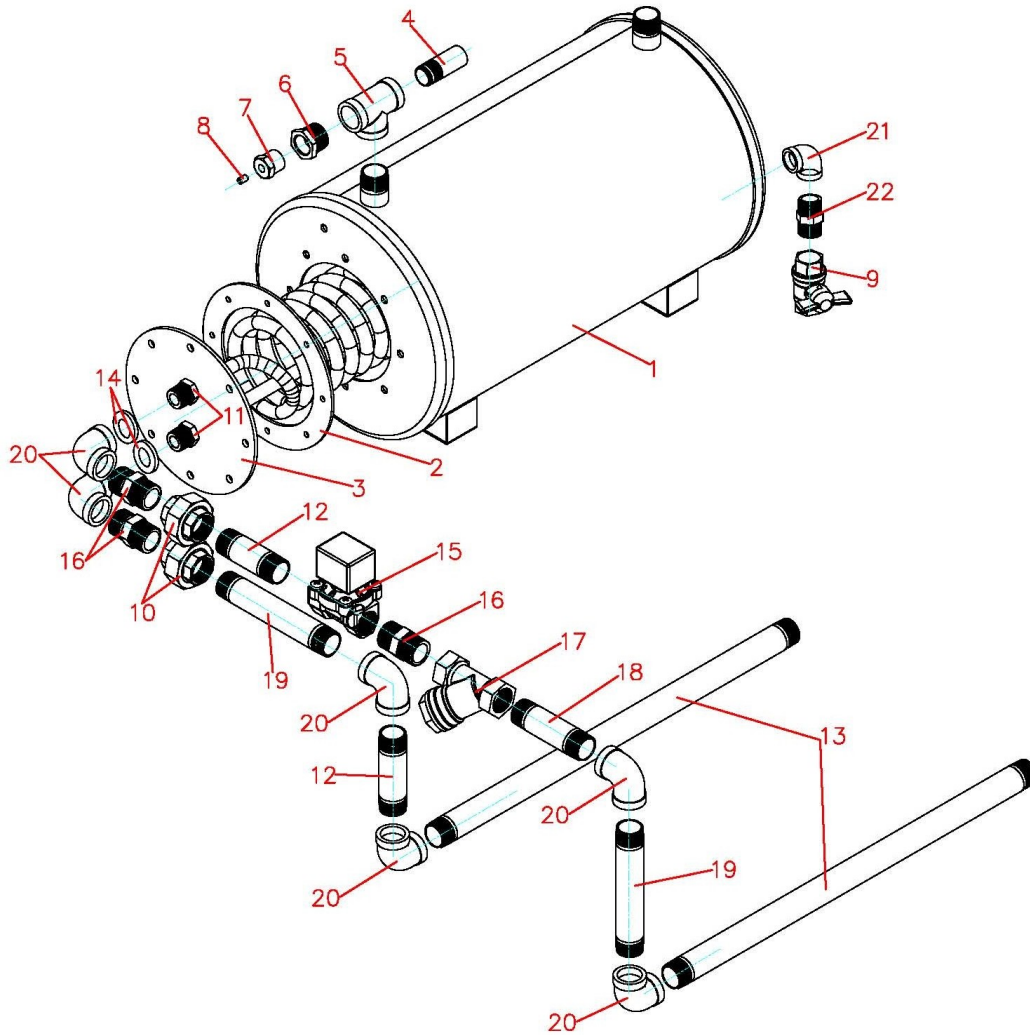


# Global-Tek Machinery Pte Ltd

| <b>Electricity Heat Booster Heater Assembly</b> |                         |                           |            |
|-------------------------------------------------|-------------------------|---------------------------|------------|
| <b>Item No.</b>                                 | <b>Parts Series No.</b> | <b>Parts Name</b>         | <b>Qty</b> |
| 1                                               | 0T1D-40A-301            | Booster Tank              | 1          |
| 2                                               | G005-9KW-02             | 9 kW Heating Element      | 4          |
| 3                                               | F001-40305-01           | Heater Hold Plug          | 1          |
| 4                                               | 0T2D-40309              | 9 kW Heater Gasket        | 5          |
| 5                                               | F006-QDG-01             | Booster Insulation Cover  | 1          |
| 6                                               | D005-3/4x70-01          | Joint (7 cm)              | 1          |
| 7                                               | D006-3/4 -01            | 3/4" S.S. T-Joint         | 1          |
| 8                                               | D008-1/2 x3/4-01        | Reducer Union             | 1          |
| 9                                               | D011-1/8x1/2-01         | Rinse Aid Injection Union | 1          |
| 10                                              | D026-1/8-01             | Plug                      | 1          |
| 11                                              | D018-1/2-01             | Butterfly Valve           | 1          |
| 12                                              | D009-1/2-01             | 1/2" S.S. Elbow           | 1          |
| 13                                              | D004-1/2-01             | 1/2" S.S. Coupling        | 1          |

# Global-Tek Machinery Pte Ltd

## Steam Heat Booster Heater Assembly



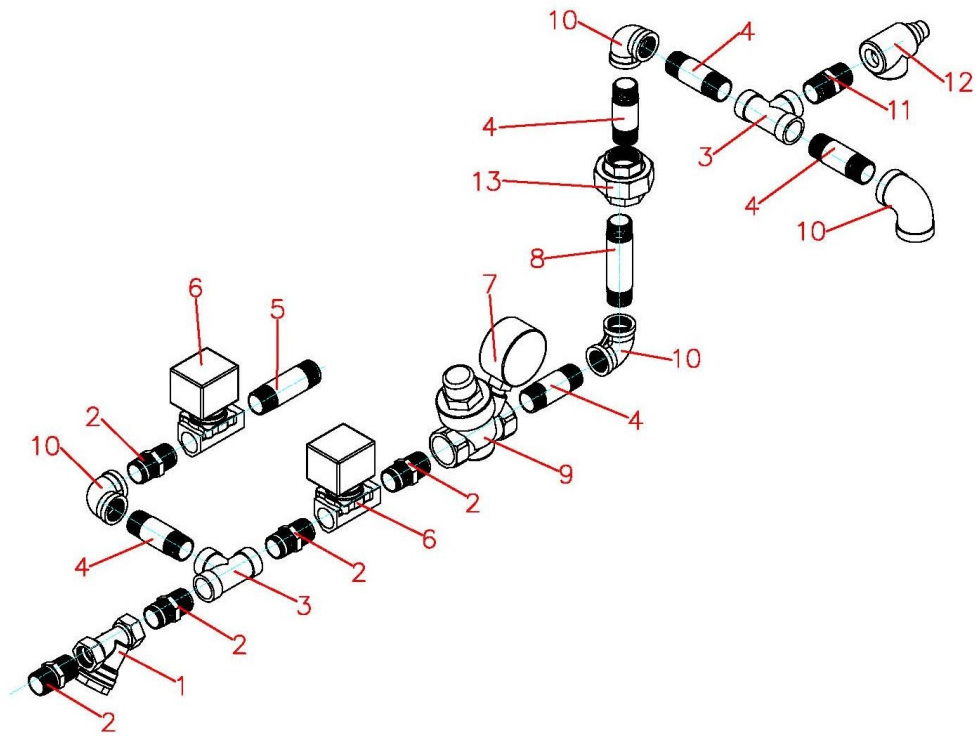
# Global-Tek Machinery Pte Ltd

| <b>Steam Heat Booster Heater</b> |                         |                           |            |
|----------------------------------|-------------------------|---------------------------|------------|
| <b>Item No.</b>                  | <b>Parts Series No.</b> | <b>Parts Name</b>         | <b>Qty</b> |
| 1                                | 0T1Z-40A-301            | Steam Heat Booster Tank   | 1          |
| 2                                | 0T2Z-40309              | Gasket                    | 1          |
| 3                                | G006-ZQ-01              | Steam Heating Element     | 1          |
| 4                                | D005-3/4x70-01          | Joint (70 cm)             | 1          |
| 5                                | D006-3/4 -01            | ¾” S.S. T-Joint           | 1          |
| 6                                | D008-1/2 x3/4-01        | Reducer Union             | 1          |
| 7                                | D011-1/8X1/2-01         | Rinse Aid Injection Union | 1          |
| 8                                | D026-1/8-01             | Plug                      | 1          |
| 9                                | D018-1/2-01             | Butterfly Valve           | 1          |
| 10                               | D014-3/4-01             | Coupling Joint            | 2          |
|                                  | D014-3/4-02             |                           |            |
|                                  | D014-3/4-03             |                           |            |
|                                  | D014-3/4-04             |                           |            |
| 11                               | A012-40307/2-01         | Union                     | 2          |
| 12                               | D004-3/4x60-01          | ¾” S.S. Joint             | 2          |
| 13                               | D004-3/4*285-01         | ¾” S.S. Joint             | 2          |
| 14                               | F017-D20-01             | Gasket                    | 2          |
| 15                               | G017-AC110V-01          | Steam Solenoid Valve      | 1          |
| 16                               | D004-3/4-01             | ¾” S.S. Joint             | 3          |
| 17                               | D016-3/4-01             | Strainer                  | 1          |
| 18                               | D004-3/4x75-01          | ¾” S.S. Joint             | 1          |
| 19                               | D004-3/4X98-01          | ¾” S.S. Joint             | 2          |
| 20                               | D009-3/4-01             | ¾”S.S. Elbow              | 6          |
| 21                               | D009-1/2-01             | ½”S.S. Elbow              | 1          |
| 22                               | D004-1/2-01             | 1/2” S.S. Coupling        | 1          |



# Global-Tek Machinery Pte Ltd

## Fill Piping Assembly

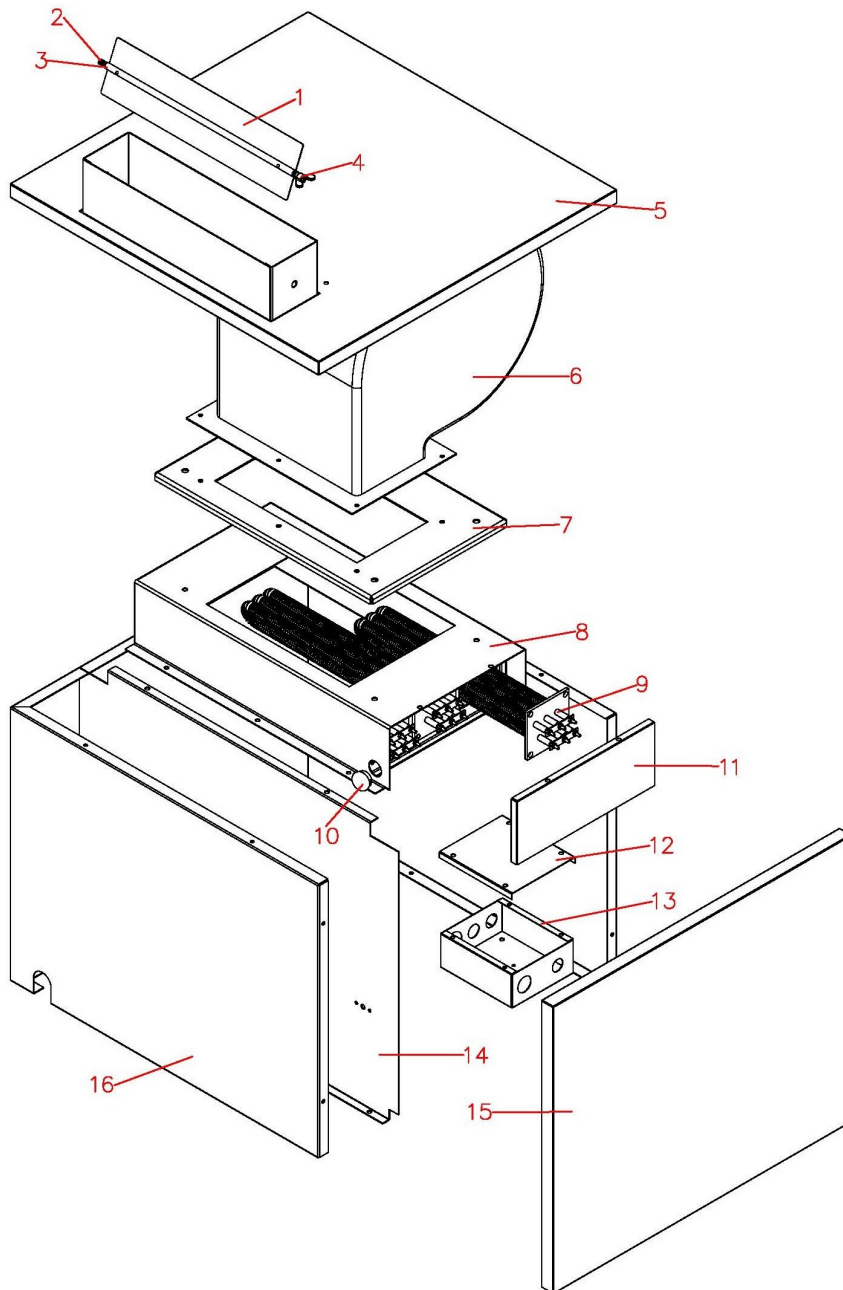


# Global-Tek Machinery Pte Ltd

| <b>Fill Piping Assembly</b> |                                                          |                       |            |
|-----------------------------|----------------------------------------------------------|-----------------------|------------|
| <b>Item No.</b>             | <b>Parts Series No.</b>                                  | <b>Parts Name</b>     | <b>Qty</b> |
| 1                           | D016-3/4-01                                              | Strainer              | 1          |
| 2                           | D004-3/4-01                                              | 3/4" S.S. Joint       | 5          |
| 3                           | D006-3/4-01                                              | 3/4"S.S. T-Joint      | 2          |
| 4                           | D004-3/4x60 -01                                          | 3/4" S.S. Joint       | 5          |
| 5                           | D004-3/4x75-01                                           | 3/4" S.S. Joint       | 1          |
| 6                           | G017-110VX3/4-01                                         | ASCO Solenoid Valve   | 2          |
| 7                           | D015-1/4-01                                              | Pressure Gauge        | 1          |
| 8                           | D004-3/4x98 -01                                          | 3/4" S.S. Joint       | 1          |
| 9                           | D017-3/4-01                                              | Pressure Regulator    | 1          |
| 10                          | D009-3/4 -01                                             | 3/4"S.S. Elbow        | 4          |
| 11                          | D010-1/2x3/4-01                                          | 1/2x3/4" S.S. Joint   | 1          |
| 12                          | D023-3BAR-01                                             | Pressure Relief Valve | 1          |
| 13                          | D014-3/4-01<br>D014-3/4-02<br>D014-3/4-03<br>D014-3/4-04 | Coupling Joint        | 1          |

# Global-Tek Machinery Pte Ltd

## Blower Upper Component

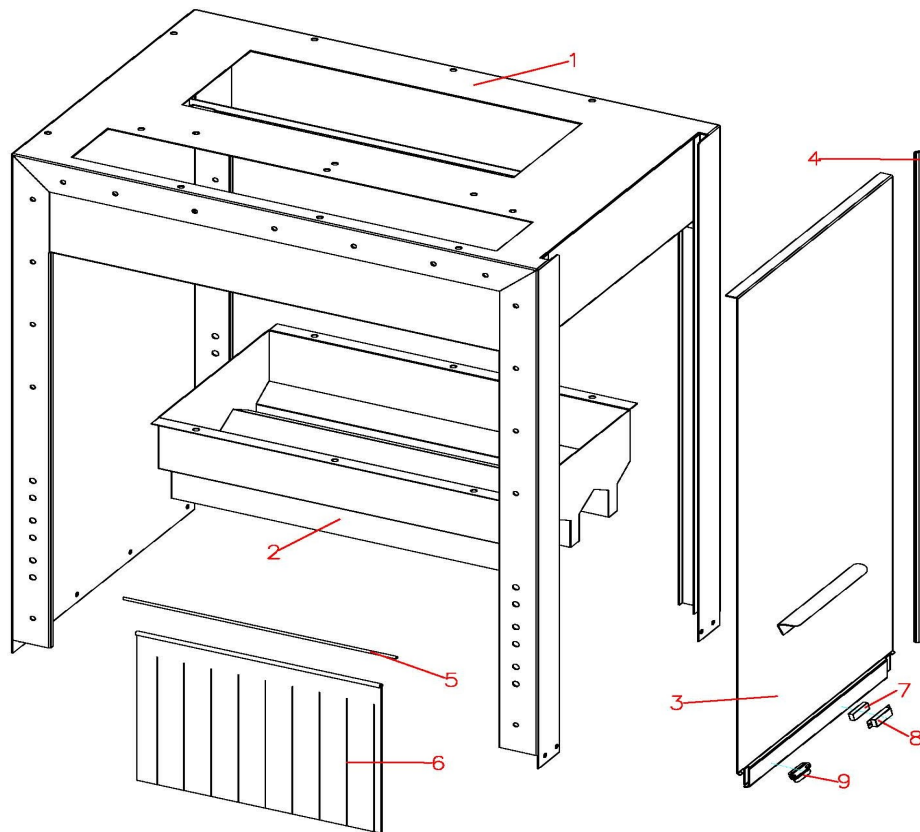


# Global-Tek Machinery Pte Ltd

| <b>Blower Upper Component</b> |                         |                         |            |  |
|-------------------------------|-------------------------|-------------------------|------------|--|
| <b>Item No.</b>               | <b>Parts Series No.</b> | <b>Parts Name</b>       | <b>Qty</b> |  |
| 1                             | 0CD-J11-303-4           | Adjustable Blade        | 1          |  |
| 2                             | A012-J11/303/3-02       | Shaft                   | 1          |  |
| 3                             | A012-J11/303/5-01       | Cover                   | 1          |  |
| 4                             | E016-M8-01              | Nut                     | 1          |  |
| 5                             | 0MF-H42-302             | Top Panel               | 1          |  |
| 6                             | G001-50HZ/0.75KW-01     | Blower Fan              | 1          |  |
|                               | G001-60HZ/0.75KW-01     |                         |            |  |
| 7                             | 0MF-H42-303-3           | Fan Holder              | 1          |  |
| 8                             | 0MF-H42-303-1           | Heating Element Housing | 1          |  |
| 9                             | G005-4.5KW-05           | Heating Element         | 3          |  |
| 10                            | F024-D25-01             | Hold Plug               | 1          |  |
| 11                            | 0CD-H42-303-4           | Housing Cover           | 1          |  |
| 12                            | 0MF-H44-302             | Junction Box Cover      | 1          |  |
| 13                            | 0MF-H44-301(L-R)        | Junction Box            | 1          |  |
|                               | 0MF-H44-301(R-L)        |                         |            |  |
| 14                            | 0MF-H42-305(L-R)        | Panel                   | 1          |  |
|                               | 0MF-H42-305(R-L)        |                         |            |  |
| 15                            | 0MF-H42-308             | Cover Board             | 1          |  |
| 16                            | 0MF-H42-301(L-R)        | Panel                   | 1          |  |
|                               | 0MF-H42-301(R-L)        |                         |            |  |

# Global-Tek Machinery Pte Ltd

## Blower Upper Hood (480 mm)

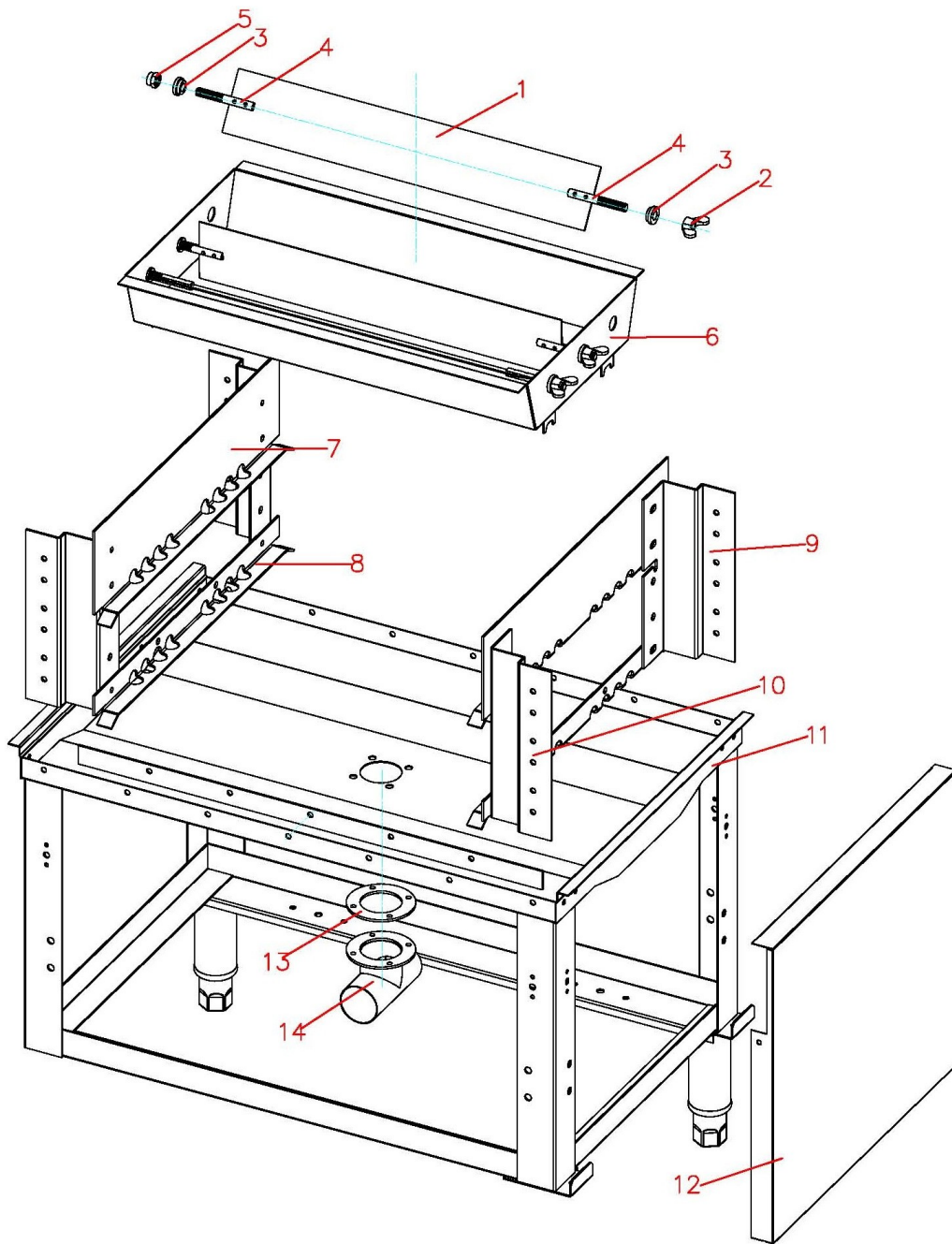


# Global-Tek Machinery Pte Ltd

| <b>Blower Upper Hood (480 mm)</b> |                              |                   |            |
|-----------------------------------|------------------------------|-------------------|------------|
| <b>Item No.</b>                   | <b>Parts Series No.</b>      | <b>Parts Name</b> | <b>Qty</b> |
| 1                                 | 0MF-H41(L-R)<br>0MF-H41(R-L) | Upper Hood        | 1          |
| 2                                 | 0MF-H43-301                  | Wind Nozzle       | 1          |
| 3                                 | 0MF-PD33-302                 | Door              | 1          |
| 4                                 | F003-65326-01                | Door Guide        | 2          |
| 5                                 | C004-D6-01                   | Curtain Rod       | 1          |
| 6                                 | F031-MF-01                   | Curtain           | 1          |
| 7                                 | A005-10x17x51-01             | Door Magnet       | 1          |
| 8                                 | 0T2D-65318-8                 | Magnet Housing    | 1          |
| 9                                 | 0T12D-65333                  | Drain Closer      | 1          |

# **Global-Tek Machinery Pte Ltd**

# Global-Tek Machinery Pte Ltd



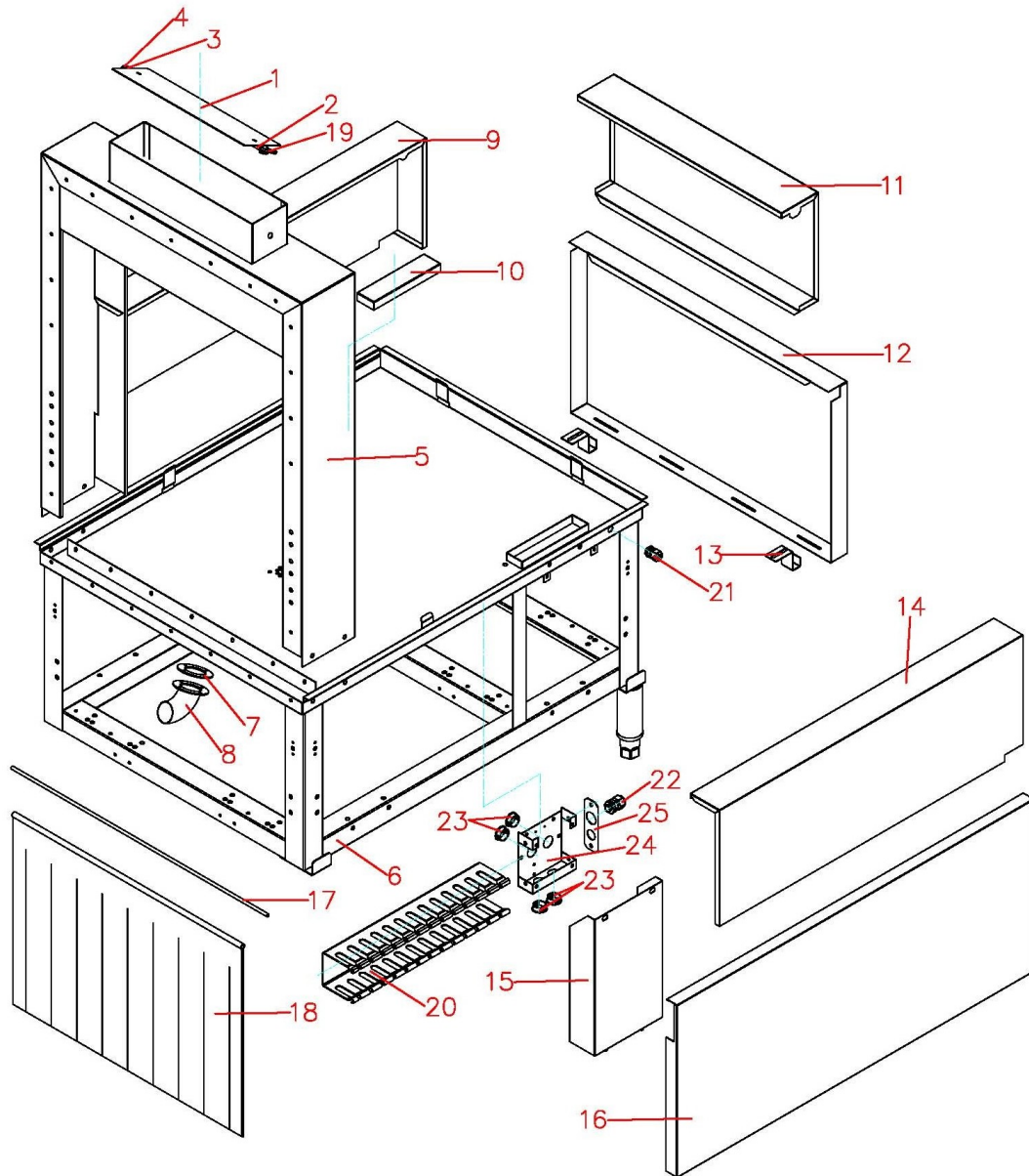


# Global-Tek Machinery Pte Ltd

| <b>Blower Lower Body (480mm)</b> |                                     |                            |            |
|----------------------------------|-------------------------------------|----------------------------|------------|
| <b>Item No.</b>                  | <b>Parts Series No.</b>             | <b>Parts Name</b>          | <b>Qty</b> |
| 1                                | 0MF-H42-302-3                       | Adjustable Blade           | 1          |
| 2                                | E016-M10-01                         | Butterfly Nut              | 3          |
| 3                                | A012-65304-01                       | Washer                     | 6          |
| 4                                | A012-65303-01                       | Shaft                      | 6          |
| 5                                | E015-M10-01                         | Nut                        | 3          |
| 6                                | 0MF-H42-302-1                       | Air Reflection Pan         | 1          |
| 7                                | 0MF-PD35-301                        | Upper Guide Rail           | 2          |
| 8                                | 0MF-PD35-302                        | Lower Guide Rail           | 2          |
| 9                                | 0CD-YQ25-303L                       | Bracket (left)             | 2          |
| 10                               | 0CD-YQ25-303R                       | Bracket (right)            | 2          |
| 11                               | <u>0MF-H40(L-R)</u><br>0MF-H40(R-L) | Blower Pan (left or right) | 1          |
| 12                               | 0MF-PD33-307                        | Side Panel                 | 2          |
| 13                               | F001-60307A-01                      | Drain Gasket               | 1          |
| 14                               | 0CD-PD39-301                        | T-Drain                    | 1          |

# Global-Tek Machinery Pte Ltd

## Unloading Section Upper Hood (1000mm)

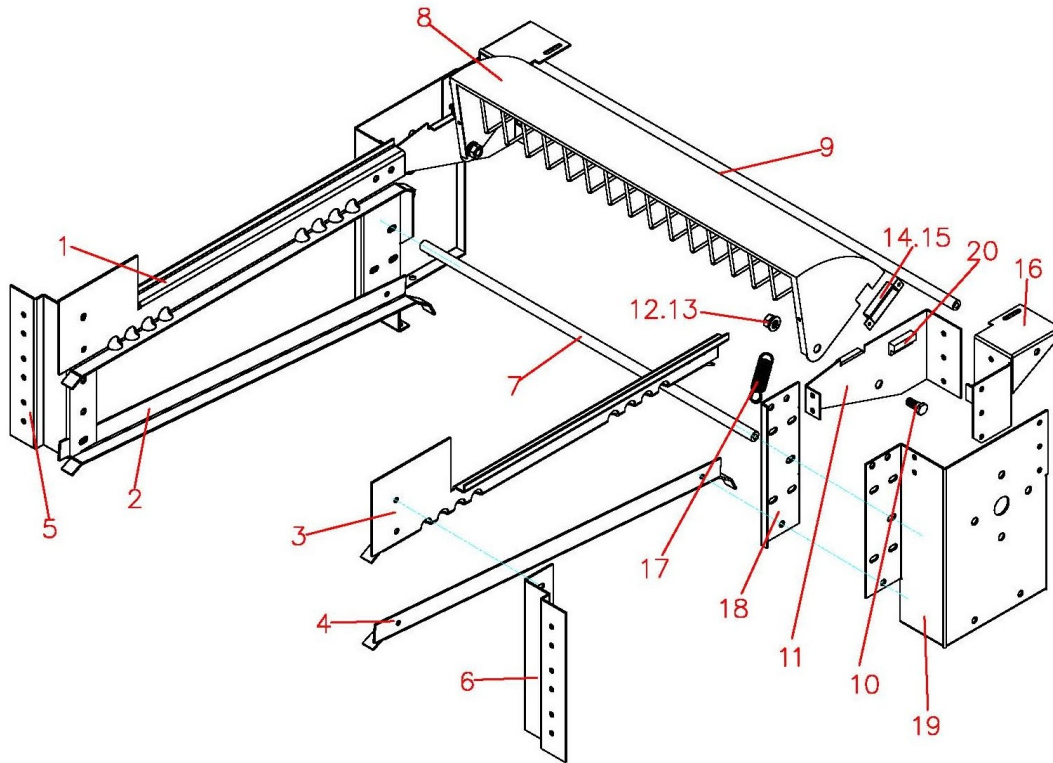


# Global-Tek Machinery Pte Ltd

| <b>Unloading Section Upper Hood (1000 mm)</b> |                                |                      |            |
|-----------------------------------------------|--------------------------------|----------------------|------------|
| <b>Item No.</b>                               | <b>Parts Series No.</b>        | <b>Parts Name</b>    | <b>Qty</b> |
| 1                                             | 0CD-J11-303-4                  | Adjustable Blade     | 1          |
| 2                                             | A012-J11/303/3-02              | Shaft                | 1          |
| 3                                             | A012-J11/303/5-01              | Cap                  | 1          |
| 4                                             | E015-M8-01                     | Nut                  | 1          |
| 5                                             | 0MF-C51                        | Upper Hood           | 1          |
| 6                                             | 0MF-C50A(L-R)<br>0MF-C50A(R-L) | Unloading Base       | 1          |
| 7                                             | F001-60307A-01                 | Gasket               | 1          |
| 8                                             | 0CD-C50A-309                   | Drain Elbow          | 1          |
| 9                                             | 0MF-C53A-309L                  | Upper Side Panel     | 1          |
| 10                                            | 0CD-C53-303                    | Cover                | 1          |
| 11                                            | 0MF-C53-310                    | Upper Panel          | 1          |
| 12                                            | 0MF-C53-311                    | Lower Panel          | 1          |
| 13                                            | 0CD-C53-304                    | Lower Panel Hook     | 1          |
| 14                                            | 0MF-C53A-309R                  | Upper Panel          | 1          |
| 15                                            | 0CD-30319                      | Motor Bracket        | 1          |
| 16                                            | 0MF-C53A-308R                  | Lower Panel          | 1          |
| 17                                            | C004-D6-01                     | Curtain Rod          | 1          |
| 18                                            | F031-MF-02                     | Curtain              | 1          |
| 19                                            | E016-M10-01                    | Butterfly Nut        | 1          |
| 20                                            | G044-XC-02                     | Plastic Cable Casing | 0.45 m     |
| 21                                            | G029-PG9-01                    | Conduit              | 1          |
| 22                                            | G029-PG11-01                   | Conduit              | 1          |
| 23                                            | G050-D26-01                    | Bushings             | 4          |
| 24                                            | CD-YQ14-301                    | Junction Box         | 1          |
| 25                                            | CD-YQ24-303                    | Junction BoxIPate    | 1          |

# Global-Tek Machinery Pte Ltd

## Unloading Section Guide Rail

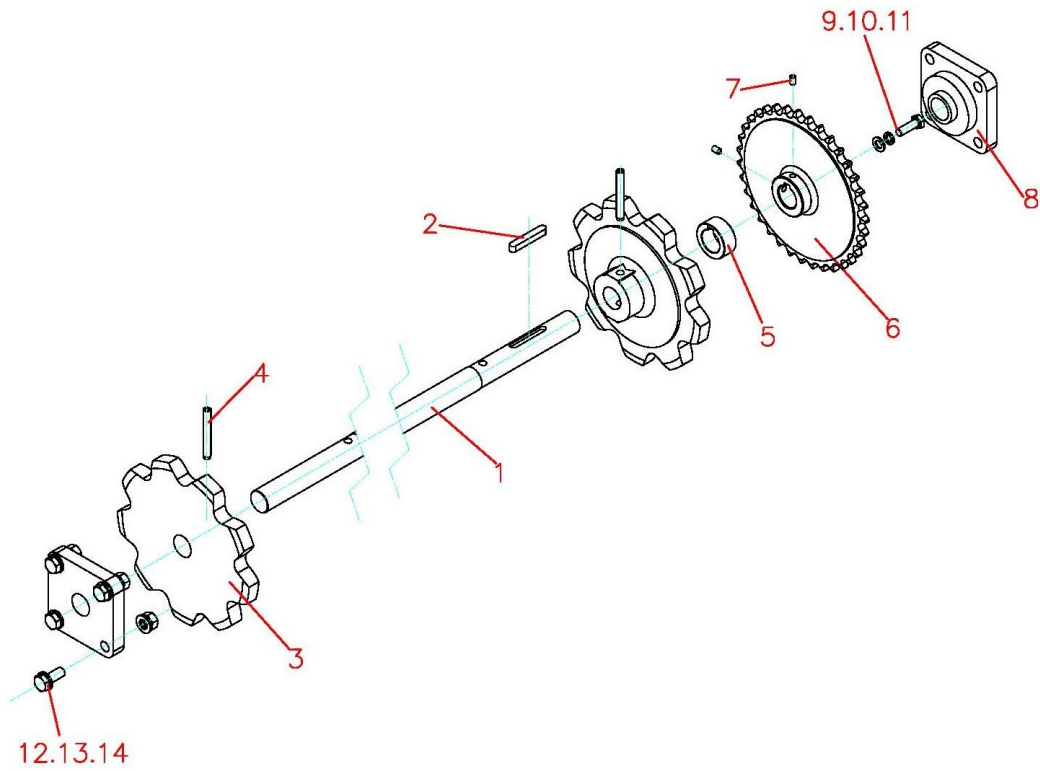


# Global-Tek Machinery Pte Ltd

| <b>Unloading Section Guide rail</b> |                                  |                      |            |
|-------------------------------------|----------------------------------|----------------------|------------|
| <b>Item No.</b>                     | <b>Parts Series No.</b>          | <b>Parts Name</b>    | <b>Qty</b> |
| 1                                   | 0MF-C55A-305L                    | Upper Guide Rail (L) | 1          |
| 2                                   | 0CD-C55A-304L                    | Lower Guide Rail (L) | 1          |
| 3                                   | 0MF-C55A-305R                    | Upper Guide Rail (R) | 1          |
| 4                                   | 0CD-C55A-304R                    | Lower Guide Rail (R) | 1          |
| 5                                   | 0CD-YQ25-303L                    | Bracket (L)          | 1          |
| 6                                   | 0CD-YQ25-303R                    | Bracket (R)          | 1          |
| 7                                   | A012-C55-309-01                  | Guide Support        | 1          |
| 8                                   | 0MF-C53-302                      | Conveyor Kick Stop   | 1          |
| 9                                   | A012-C55-309-01                  | Support Shaft        | 1          |
| 10                                  | A012-C53/302/3-01                | Pins                 | 2          |
| 11                                  | 0CD-C53-302-2L<br>0CD-C53-302-2R | Bracket (L or R)     | 2          |
| 12                                  | E012-M10-01                      | Flat Washer          | 2          |
| 13                                  | E015-M10-01                      | Nut                  | 2          |
| 14                                  | A005-10x17x51 -01                | Magnet               | 1          |
| 15                                  | 0T2D-65318-8                     | Magnet Housing       | 1          |
| 16                                  | 0CD-C55-312L<br>0CD-C55-312R     | Bracket (L or R)     | 1          |
| 17                                  | A002-C53/302/4-01                | Spring               | 1          |
| 18                                  | 0CD-C55-311L<br>0CD-C55-311R     | Bracket (L or R)     | 2          |
| 19                                  | 0CD-C55-310L<br>0CD-C55-310R     | Bracket (L or R)     | 2          |
| 20                                  | 0JD-65998A                       | Magnetic Switch      | 1          |

# Global-Tek Machinery Pte Ltd

## Conveyor Drive Assembly

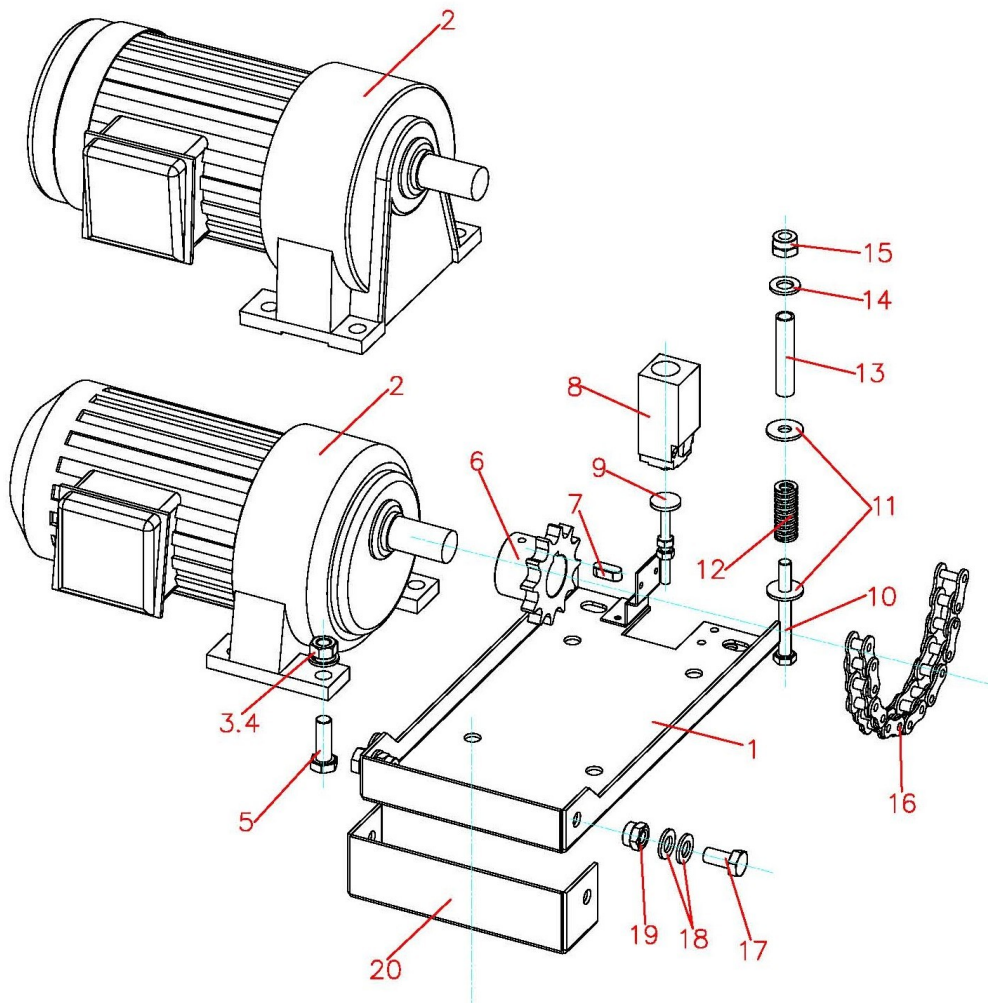


# Global-Tek Machinery Pte Ltd

| <b>Conveyor Drive Assembly</b> |                         |                    |            |
|--------------------------------|-------------------------|--------------------|------------|
| <b>Item No.</b>                | <b>Parts Series No.</b> | <b>Parts Name</b>  | <b>Qty</b> |
| 1                              | A012-30301-02           | Transmission Shaft | 1          |
| 2                              | E020-8*50-01            | Flat Key           | 1          |
| 3                              | F027-30305-01           | Chain Wheel        | 2          |
| 4                              | A006-M8X70-01           | Spring Seat        | 2          |
| 5                              | A012-30314-01           | Gasket             | 1          |
| 6                              | A012-30302A-01          | S.S. Driving Gear  | 1          |
| 7                              | E010- M6x10-01          | Hex Bolt           | 2          |
| 8                              | A010-SUCF205-01         | Bearing            | 2          |
| 9                              | E009-M8x25-01           | Hex Bolt           | 1          |
| 10                             | E011-M8-01              | Spring Washer      | 1          |
| 11                             | E012- M8-01             | Flat Washer        | 1          |
| 12                             | E009-M10x30-01          | Hex Bolt           | 8          |
| 13                             | E011-M10-01             | Spring Washer      | 8          |
| 14                             | E012-M10-01             | Flat Washer        | 8          |

# Global-Tek Machinery Pte Ltd

## Conveyor Motor Assembly



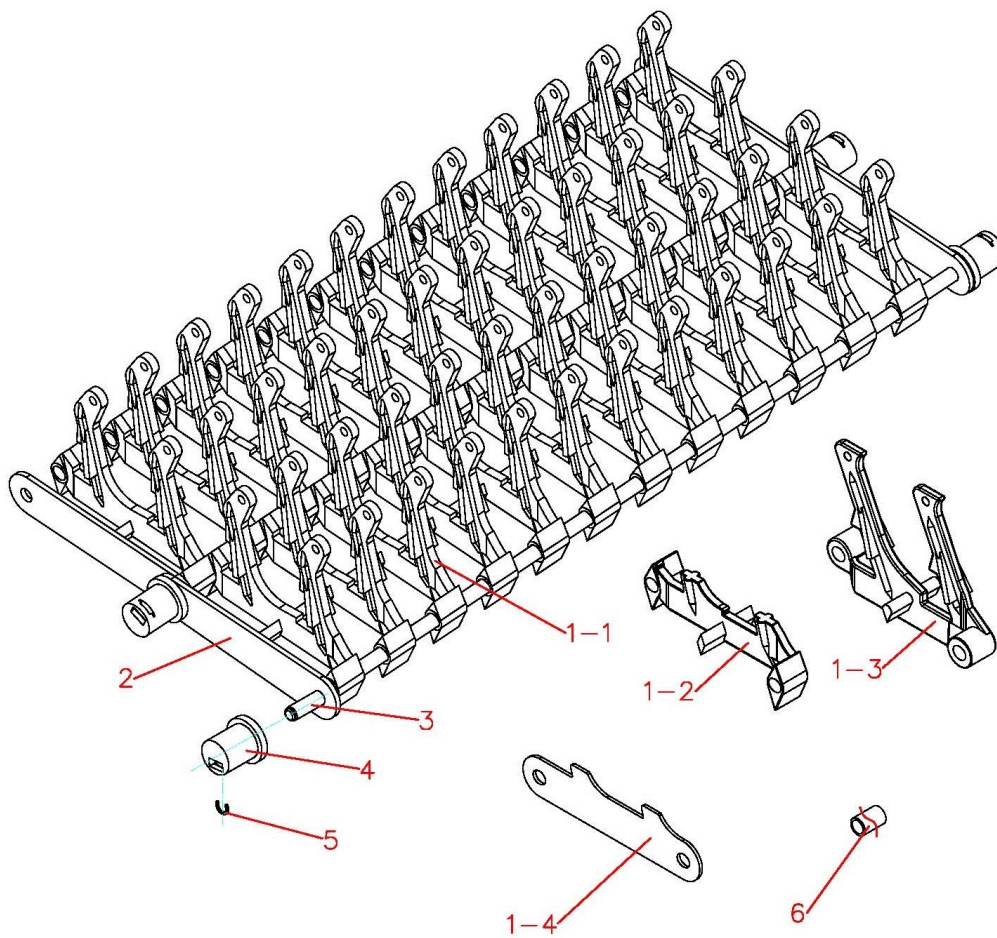


# Global-Tek Machinery Pte Ltd

| <b>Conveyor Motor Assembly</b> |                                                                                                                                      |                                    |            |
|--------------------------------|--------------------------------------------------------------------------------------------------------------------------------------|------------------------------------|------------|
| <b>Item No.</b>                | <b>Parts Series No.</b>                                                                                                              | <b>Parts Name</b>                  | <b>Qty</b> |
| 1                              | 0CD-30316                                                                                                                            | Motor Mounting Bracket             | 1          |
| 2                              | G004-0.55X40S-01 (grey color)<br>G004-0.55X57S-01 (grey color)<br>G004-0.55X57S-02 (golden color)<br>G004-0.55X57S-02 (golden color) | Conveyor Motor (select either one) | 1          |
| 3                              | E013-M10-01                                                                                                                          | Hex Bolt                           | 4          |
| 4                              | E011- M10-01                                                                                                                         | Spring Washer                      | 4          |
| 5                              | E009-M10X25-01                                                                                                                       | Hex Bolt                           | 4          |
| 6                              | A009-1X12T-01                                                                                                                        | Drive Gear                         | 1          |
| 7                              | E020-7X7X35-01                                                                                                                       | Flat Key                           | 1          |
| 8                              | G034-N2110P20C-01                                                                                                                    | Limit Switch                       | 1          |
| 9                              | 0T2D-60314                                                                                                                           | Limit Switch Space Adjusting       | 1          |
| 10                             | E010-M8x55-01                                                                                                                        | Bolt                               | 1          |
| 11                             | E012-M22XD8-01                                                                                                                       | Flat Washer                        | 2          |
| 12                             | A002-60312-01                                                                                                                        | Compressed Spring                  | 1          |
| 13                             | A012-60313-01                                                                                                                        | Bolt Holder                        | 1          |
| 14                             | E012-M8-01                                                                                                                           | Flat Washer                        | 1          |
| 15                             | E015-M8-01                                                                                                                           | Nut                                | 1          |
| 16                             | A008-1X72L-01                                                                                                                        | S.S. Chain                         | 1          |
| 17                             | E009- M10X20-01                                                                                                                      | Hex Bolt                           | 2          |
| 18                             | E012-M10-01                                                                                                                          | Flat Washer                        | 8          |
| 19                             | E015-M10-01                                                                                                                          | Nut                                | 2          |
| 20                             | 0CD-30315                                                                                                                            | Motor Base Bracket                 | 1          |

# Global-Tek Machinery Pte Ltd

## Conveyor Belt/Peg

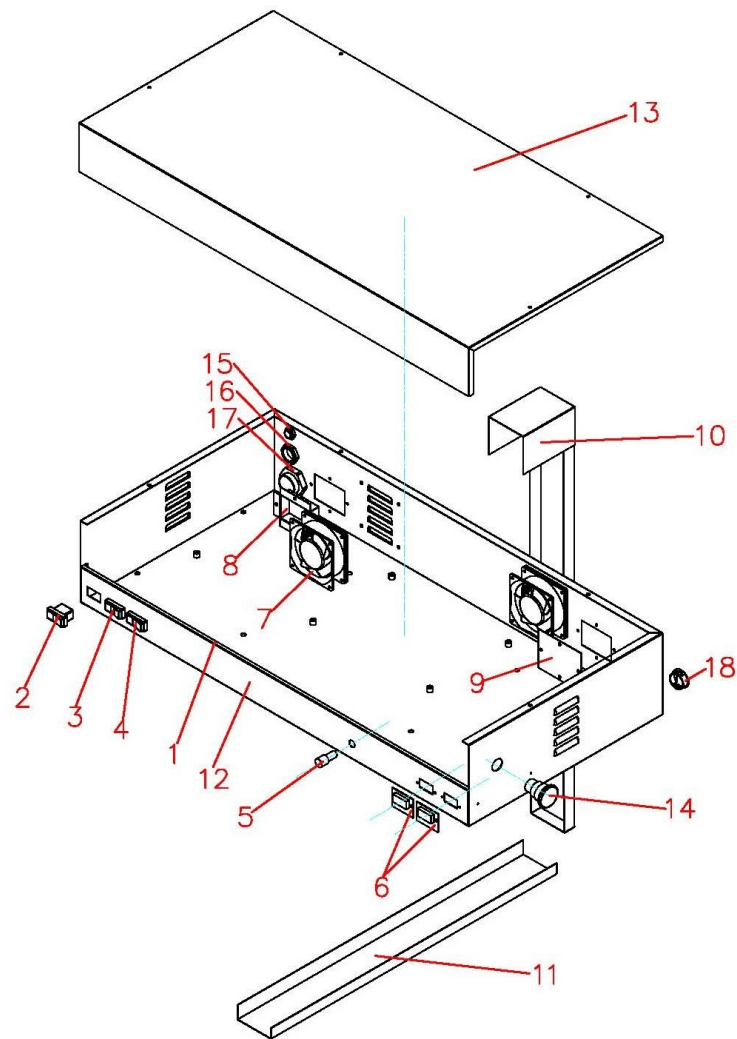


# Global-Tek Machinery Pte Ltd

| <b>Conveyor Belt/Peg</b> |                                   |                     |            |
|--------------------------|-----------------------------------|---------------------|------------|
| <b>Item No.</b>          | <b>Parts Series No.</b>           | <b>Parts Name</b>   | <b>Qty</b> |
| 1-1                      | F032-30309-01 (standard peg)      | Peg                 | 12         |
| 1-2                      | F032-30309A-01 (plastic flat peg) |                     |            |
| 1-3                      | F032-30309B-01 (height peg)       |                     |            |
| 1-4                      | OCD-30306A (S.S. flat peg)        |                     |            |
| 2                        | OCD-30306                         | S.S. Junction Plate | 2          |
| 3                        | A012-30307-02                     | Conveyor Rod        | 1          |
| 4                        | F028-30308-01                     | Roller              | 2          |
| 5                        | E019-M5-01                        | C Clip              | 2          |
| 6                        | D033-D8X10-01                     | Teflon tube         | 1          |

# Global-Tek Machinery Pte Ltd

## Electrical Panel Cabinet

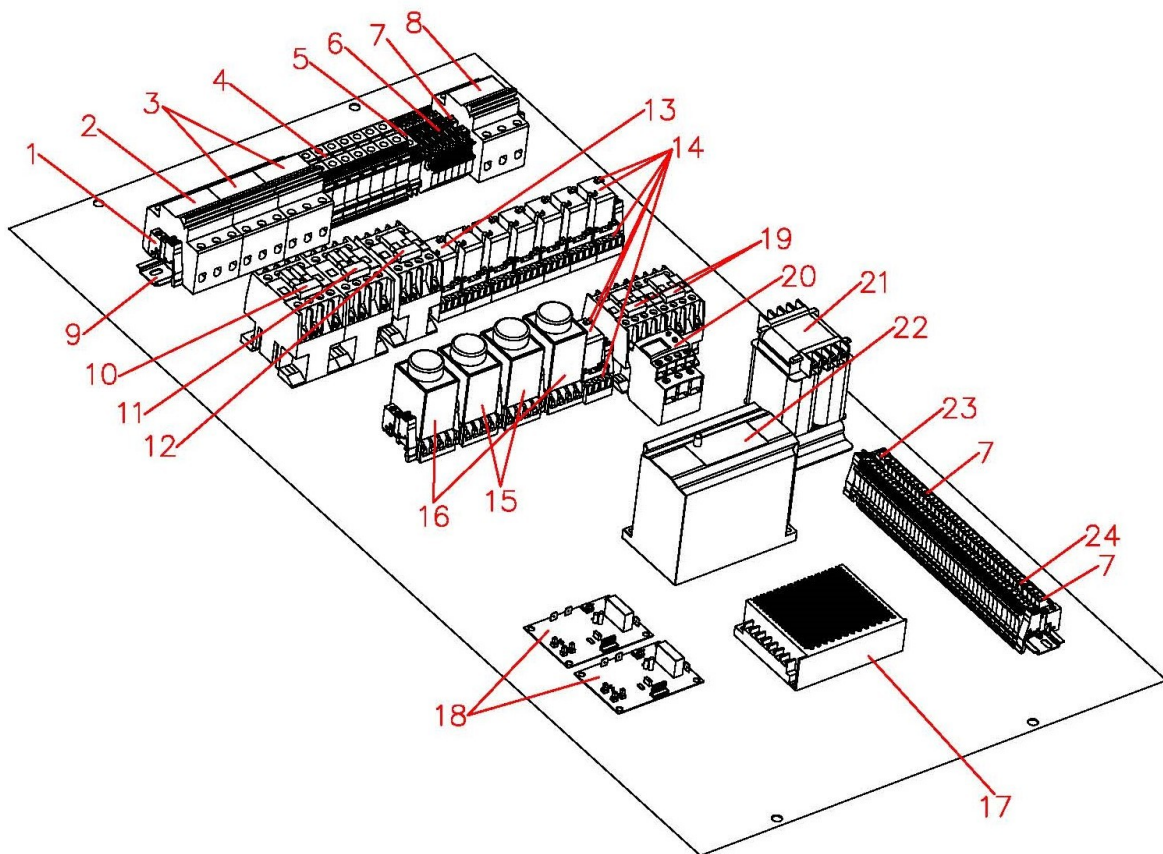


# Global-Tek Machinery Pte Ltd

| Electric Panel Cabinet |                    |                                        |     |
|------------------------|--------------------|----------------------------------------|-----|
| Item No.               | Parts Series No.   | Parts Name                             | Qty |
| 1                      | 0MF-70301          | Control Panel                          | 1   |
| 2                      | G034-CD-03         | Power ON/Off Switch                    | 1   |
| 3                      | G034-CD-01         | Start / Stop Switch                    | 1   |
| 4                      | G034-CD-04         | Speed Switch                           | 1   |
| 5                      | G035-D16/220V-01   | Tank Level Indicating Light<br>(green) | 1   |
| 6                      | G014-WZJ/4010/3-01 | Digital Temp. Display                  | 2   |
| 7                      | G025-BALL-01       | Exhaust Fan                            | 2   |
| 8                      | 0CD-70307          | panel                                  | 1   |
| 9                      | 0CD-70304          | Hole Plug Plate                        | 1   |
| 10                     | 0MF-70305          | S.S. Cable Trunk                       | 1   |
| 11                     | 0MF-70306          | S.S. Cable Trunk Base                  | 1   |
| 12                     | G031-CD-01         | Operation Sticker                      | 1   |
| 13                     | 0CD-70302          | Control Panel Cover                    | 1   |
| 14                     | G036- BS54C-01     | Emergency Stop Switch                  | 1   |
| 15                     | G029-PG11-01       | Conduit                                | 2   |
| 16                     | G030-PG16-01       | Conduit                                | 1   |
| 17                     | G029-PG42-01       | Conduit                                | 1   |
| 18                     | F024-D38-01        | Hole Plug                              | 2   |

# Global-Tek Machinery Pte Ltd

## Single Tank, Single Rinse MF Electrical Components

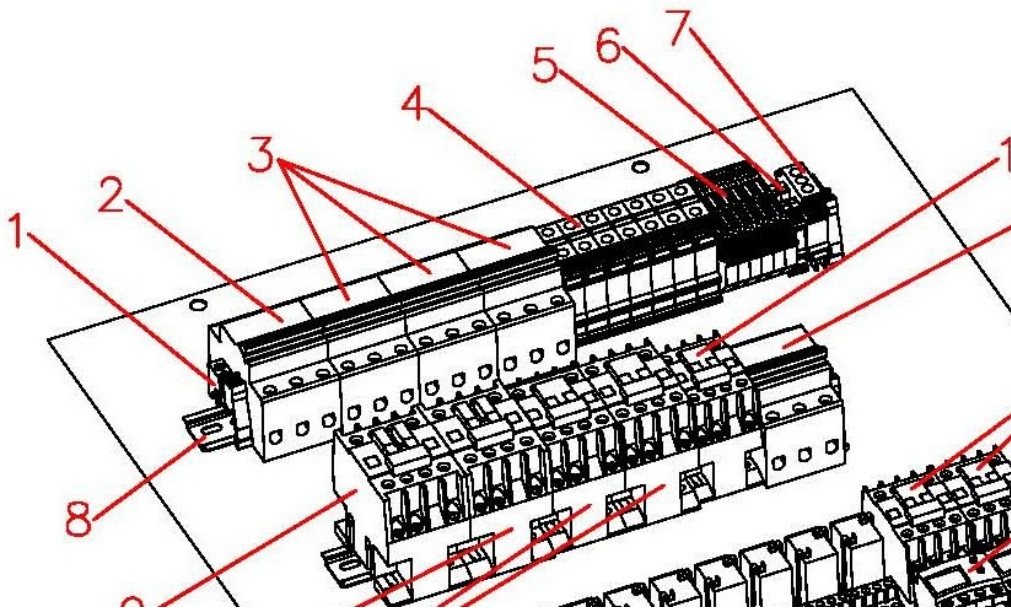


# Global-Tek Machinery Pte Ltd

| <b>Single Tank, Single Rinse MF Electrical Components</b> |                         |                             |            |
|-----------------------------------------------------------|-------------------------|-----------------------------|------------|
| <b>Item No.</b>                                           | <b>Parts Series No.</b> | <b>Parts Name</b>           | <b>Qty</b> |
| 1                                                         | G042-2G2-01             | Track Holder                | 13         |
| 2                                                         | G009-D63A-01            | Circuit Breaker (63A)       | 1          |
| 3                                                         | G009-D40A-04            | Circuit Breaker (40A)       | 2          |
| 4                                                         | G041-35N-01             | Wiring Terminal             | 7          |
| 5                                                         | G041-35JD-01            | Wiring Terminal             | 1          |
| 6                                                         | G041-4RD-01             | Fuse Terminal               | 6          |
| 7                                                         | G041-4-01               | Wiring Terminal             | 38         |
| 8                                                         | G009-D20A-02            | Circuit Breaker (20A)       | 1          |
| 9                                                         | G047-DG-01              | Guide Rail                  | 3 米        |
| 10                                                        | G007-E65F5N-01          | Contactora                  | 1          |
| 11                                                        | G007-E40F5N-01          | Contactora                  | 1          |
| 12                                                        | G007-E32010F5N-01       | Contactora                  | 1          |
| 13                                                        | G012-DC12V-02           | Relay (12v)                 | 1          |
| 14                                                        | G012-F7-02              | Relay                       | 7          |
|                                                           | G028-RXZE1M4C-01        | Relay Base                  | 8          |
|                                                           | G012-RXZ410-01          | Relay Clip                  | 16         |
| 15                                                        | G011-6M/AC110V-01       | Timer (6 minute)            | 2          |
| 16                                                        | G011-60S/AC110V-01      | Timer (60 Sec)              | 2          |
| 17                                                        | G034-KGDY-01            | Power Convertora            | 1          |
| 18                                                        | G014-4010-02            | Temp. Control Board         | 2          |
| 19                                                        | G007-E0610F5N-01        | Contactora                  | 2          |
| 20                                                        | G010-10KN-02            | Wash Pump Over-Load Control | 1          |
| 21                                                        | G016-300V-01            | Transformer                 | 1          |
| 22                                                        | G015-220V-01            | Inverter                    | 1          |
| 23                                                        | G041-6JD-01             | Wiring Terminal             | 2          |
| 24                                                        | G041-6-01               | Wiring Terminal             | 2          |

# Global-Tek Machinery Pte Ltd

## Single Tank, Single Rinse & Blower MF Electrical Components





# Global-Tek Machinery Pte Ltd

| <b><u>Single Tank, Single Rinse &amp; Blower MF Electrical Components</u></b> |                         |                             |            |
|-------------------------------------------------------------------------------|-------------------------|-----------------------------|------------|
| <b>Item No.</b>                                                               | <b>Parts Series No.</b> | <b>Parts Name</b>           | <b>Qty</b> |
| 1                                                                             | G042-2G2-01             | Track Holder                | 13         |
| 2                                                                             | G009-D63A-01            | Circuit Breaker (63A)       | 1          |
| 3                                                                             | G009-D40A-04            | Circuit Breaker (40A)       | 3          |
| 4                                                                             | G041-35N-01             | Wiring Terminal             | 7          |
| 5                                                                             | G041-4RD-01             | Fuses                       | 6          |
| 6                                                                             | G041-4-01               | Wiring Terminal             | 39         |
| 7                                                                             | G041-35JD-01            | Wiring Terminal             | 1          |
| 8                                                                             | G047-DG-01              | Guide Rail                  | 3 米        |
| 9                                                                             | G007-E65F5N-01          | Contactactor                | 1          |
| 10                                                                            | G007-E40F5N-01          | Contactactor                | 1          |
| 11                                                                            | G007-E32010F5N-01       | Contactactor                | 2          |
| 12                                                                            | G007-E0610F5N-01        | Contactactor                | 3          |
| 13                                                                            | G009-D20A-02            | Circuit Breaker             | 1          |
| 14                                                                            | G012-DC12V-02           | Relay (12v)                 | 1          |
| 15                                                                            | G012-F7-02              | Relay                       | 9          |
|                                                                               | G028-RXZE1M4C-01        | Relay Base                  | 10         |
|                                                                               | G012-RXZ410-01          | Relay Clip                  | 20         |
| 16                                                                            | G034-KGDY-01            | Power Convertor             | 1          |
| 17                                                                            | G010-10KN-02            | Wash Pump Over-Load Control | 2          |
| 18                                                                            | G011-6M/AC110V-01       | Timer control               | 2          |
| 19                                                                            | G011-60S/AC110V-01      | Timer control               | 2          |
| 20                                                                            | G011-3M/AC110V-01       | Timer control               | 1          |
| 21                                                                            | G016-300V-01            | Transformer                 | 1          |
| 22                                                                            | G041-6JD-01             | Wiring Terminal             | 2          |
| 23                                                                            | G041-6-01               | Wiring Terminal             | 2          |
| 24                                                                            | G014-WZJ/4010/3-01      | Temp. Display               | 1          |
| 25                                                                            | G014-4010-02            | Temp. Control Board         | 3          |
| 26                                                                            | G015-220V-01            | Inverter                    | 1          |