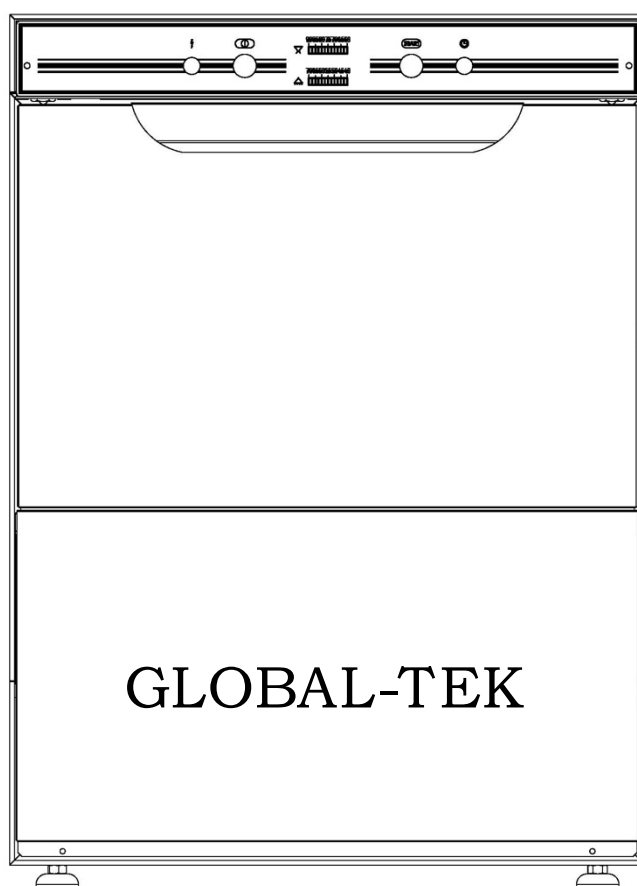


INSTRUCTION FOR USE

Model: GT-U1M (S)

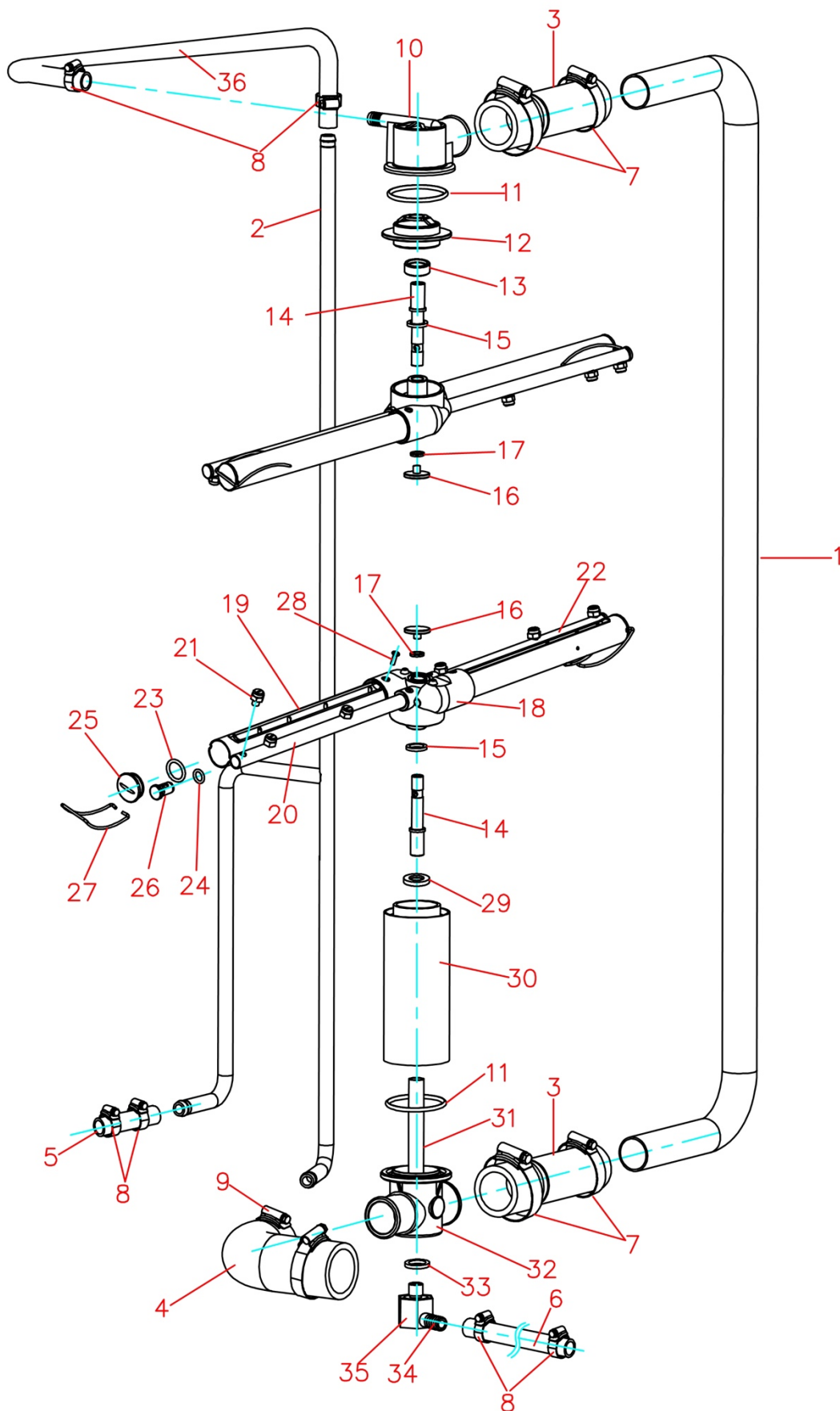
Undercounter Glass & Dishwasher



Content

<u>Parts Name</u>	<u>Page</u>
Wash and Rinse System	3-4
Upper Hood	5-6
Wash Chamber	7-8
Wash Pump & Booster Assembly	9
Door Lift	10
Control Panel Assembly	11-12
Hull Assembly	13

Wash & Rinse Assembly

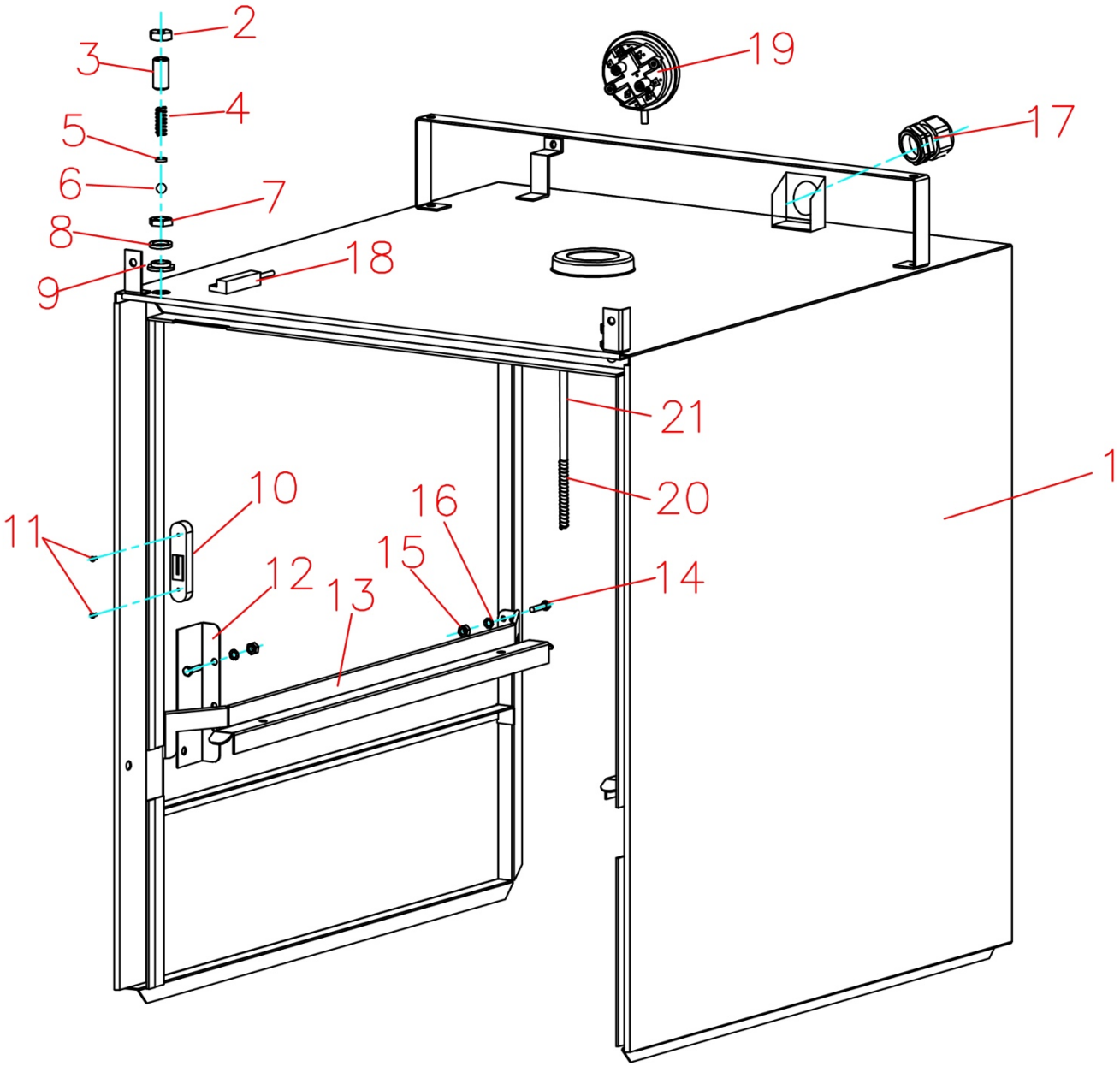


Undercounter Glass & Dish Washer, Model: UIM (s)

Wash and Rinse Assembly

Location	Part No.	Description	Qty
1	0TXB-07-6	Wash Piping Assy	1
2	0TXB-07-5	Rinse Piping Assy	1
3	F021-07/4-01	Rubber Hose	2
4	F021-07/2-02	Rubber Hose	1
5	F021-D13-01 (65mm)	Rubber Hose 65 mm	1
6	F021-D13-01 (280mm)	Rubber Hose 280 mm	1
7	E018-32X57-01	Hose Clamp S.S.	4
8	E018-11X25-01	Hose Clamp S.S.	6
9	E018-32X57-01	Hose Clamp S.S.	2
10	F011-05/11/2-01	Upper Manifold	1
10-1	A012-05/11/1-01	Enchase nut	1
11	F002-02/10-01	O Ring	2
12	A012-05/19-01	Fixed Frame	1
13	A012-05/6-01	Washer	1
14	A012-05/9-01	Thread Bushing	2
15	F017-05/4-01	Washer	2
16	A012-05/3-01	Lock Screw	2
17	F017-05/10-01	Washer	2
(18-28)	0PJ-TXB-QXG	Wash/Rinse Arm Complete Set	2
18	F011-05/2/6-01	Manifold	2
19	0TXB-05-2-1	Wash Arm only	4
20	A012-05/1/3-02	Rinse Arm only (w/o nozzle)	2
21	A012-05/1/2-01	Rinse Nozzle	12
22	A012-05/1/1-02	Rinse Arm only (w/o nozzle)	2
23	F002-16X2.65-01	O-rings	4
24	F002-6.9X1.8-01	O-rings	4
25	F005-05/2/2-01	End Cap	4
26	F005-05/2/5-01	End Cap	4
27	A012-05/2/3-01	End Cap Crip	4
28	E001-M4X12-01	Sunk Screw	8
29	A012-05/20-01	Washer	1
30	F038-05/17-01	Wash Stand Column	1
31	A012-05/7-02	Water Inlet Nozzle	1
32	F011-05/18-01	Lower Manifold	1
33	F001-06/2/2-01	O-Ring	1
34	A012-05/8/1-01	Water Inlet Plinth	1
35	A012-05/8/2-01	Joint holder	1
36	F021-50310/3A-01	Connecting pipe	1

Upper Hood

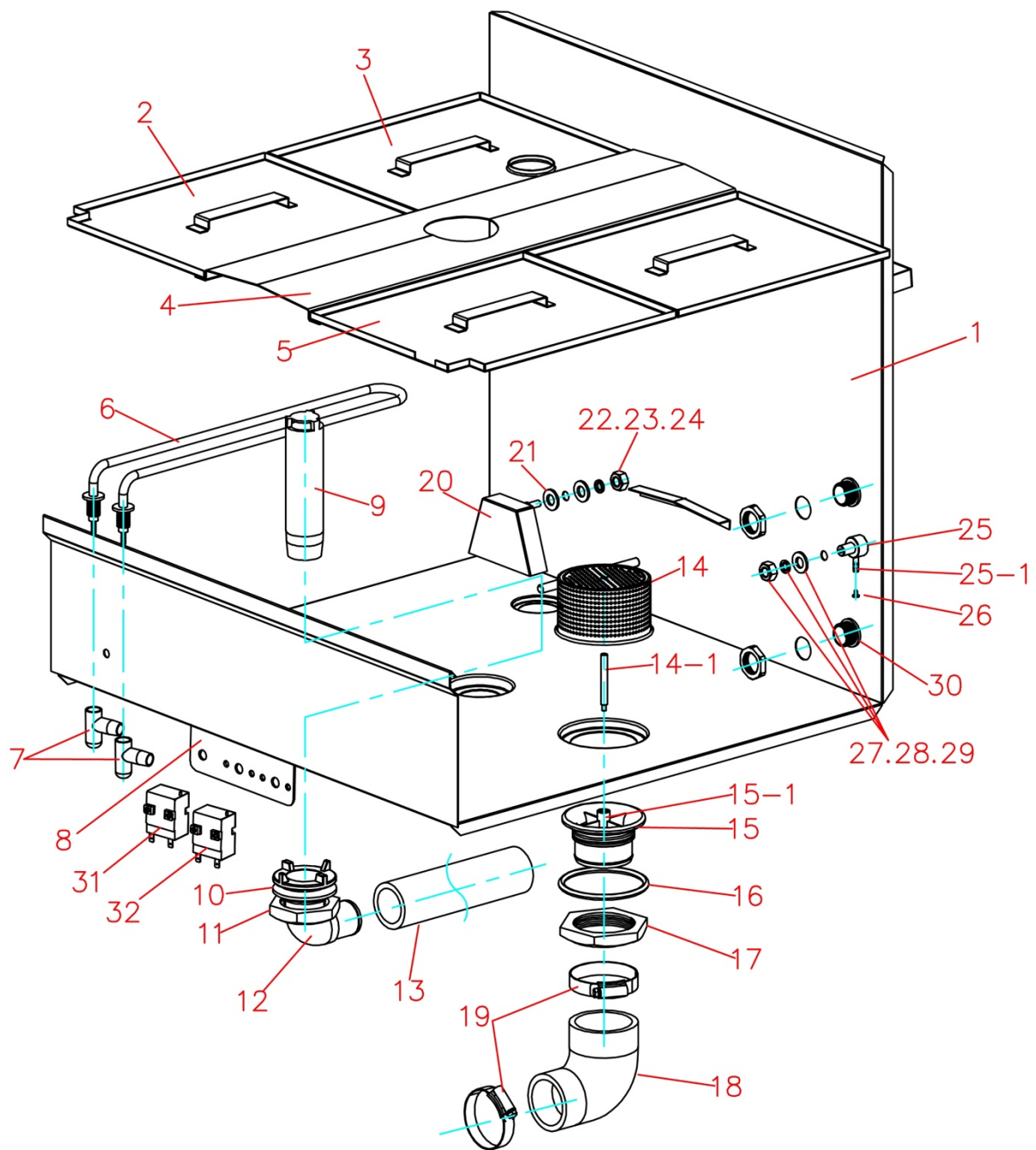


Undercounter Glass & Dish Washer, Model: UIM (s)

Upper Hood

Location	Part No.	Description	Qty
1	0TXB-01	Upper Hood	1
2	A012-06/4/5-01	End Cap	2
3	A012-06/4/1-01	Double-Screw Bolt	2
4	A002-06/4/4-01	Door Spring	2
5	A012-06/4/3-01	Spacer	2
6	A012-06/4/2-01	Ball Bearing	2
7	A012-06/4/6-01	Up Locknut	2
8	A012-06/4/8-01	Washer	2
9	A012-06/4/7-01	Down Locknut	2
10	F018-01/8-01	Slide Block	2
11	E003-M2.9*9.5-01	Sunk Screw M2.9*9.5	4
12	0TX-01-7L	Rail Bracket (left)	1
	0TX-01-7R	Rail Bracket (right)	1
13	0TXB-01-5-1A	Rack Rail	2
14	E002-M4X12-01	Screw M4x12	2
15	E013-M4-01	Nuts M4	10
16	E021-M4-01	Washer	10
17	G029-PG21/2-01	29mm Conduit	1
18	0JD-65998A	Magnet switch	1
19	G019-52UN008-01	Pressure Switch	1
20	A002-D10X0.8X10-01	Spring	1
21	F022-D8X4-01	Air Chamber / Pressure Switch Silicon Tube	1

Wash Chamber

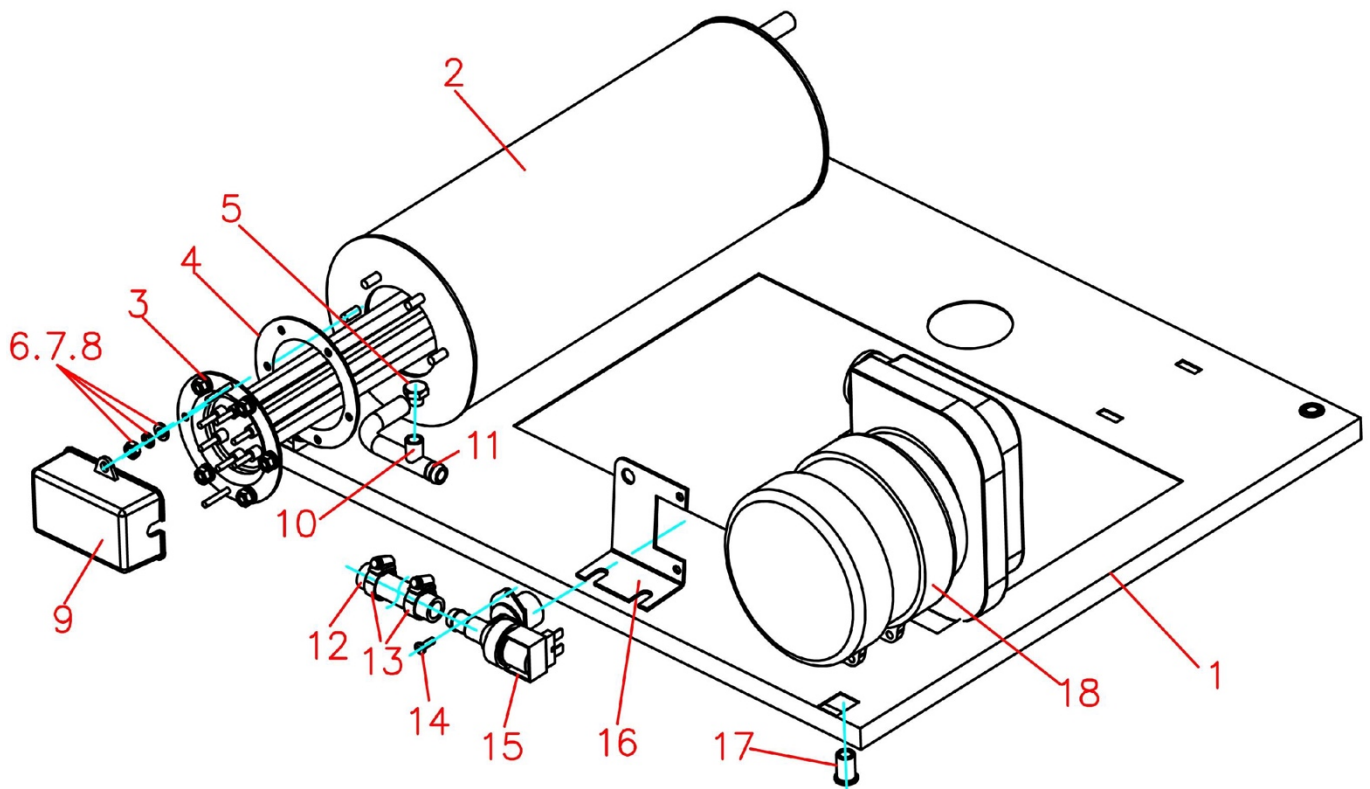


Undercounter Glass & Dish Washer, Model: UIM (s)

Wash Chamber

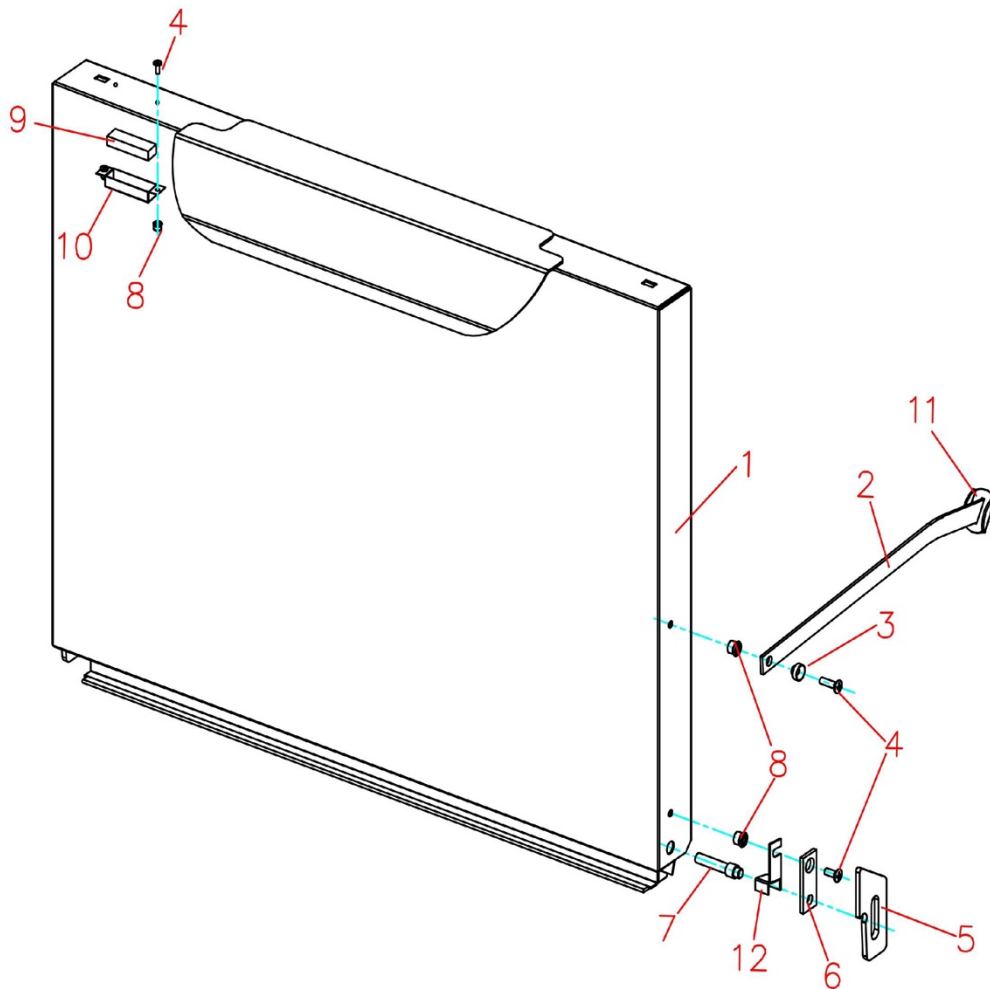
Location	Part No.	Description	Qty
1	OTXB-01-2	Wash Pan	1
2	OTXB-01-12	Front Left Scrape Tray	1
3	OTXB-01-14	Rear Scrape Tray	2
4	OTXB-01-10	Scrape Tray Holder	1
5	OTXB-01-13	Front Right Scrape Tray	1
6	G005-2KW-02	Tank Heater 2 kW	1
7	F049-13X27.5X19-01	Heater Rubber Casing	2
8	TXB-02-5-1	Thermostat Bracket	1
9	F036-05/15-01	Drain Pipe	1
10	F002-05/14/2-01	Drain Gasket	1
11	F037-05/14/3-01	Drain Nut	1
12	F011-05/14/1-01	Drain Elbow	1
13	F043-150-01	Drain Extension Pipe	1
14	A012-06/1/1D-01	Pump Intake Screen	1
14-1	A012-06/1/3A-02	Connection to Drain Intake Screen	1
15	F011-05/12/2-01	Pump Water Outlet	1
15-1	A012-05/12/1-01	Pump Enchase Nut	1
16	F002-02/8-01	O Ring	1
17	F037-05/13-01	Nut	1
18	F021-07/3-02	Wash Pump Elbow (Inlet)	1
19	E018-46X70-01	Hose Clamp S.S.	2
20	OTX-06-2-4	Air Chamber	1
21	F017-2XD8XD16-01	Washer	1
22	E013-M8-01	Nut M8	1
23	E011-M8-01	Lock Washer M8	1
24	E012-M8-01	Flat Washer M8	1
25	A012-06/7/1-01	Chemical Injection Adapter (1/2)	1
25-1	A012-06/7/2-01	Chemical Injection Adaptor (2/2)	1
26	F005-06/7/3-01	Plug	1
27	E013-M10-01	Nut M10	3
28	E011-M10-01	Lock Washer M10	1
29	E012-M10-01	Flat Washer M10	3
30	F005-M22-01	Hole Plug	2
31	G021-82C-01	TT Wash Tank Thermostat 82C	1
32	G021-86C-01	BT Booster Tank Thermostat 86C	1

Wash Pump & Booster Assembly



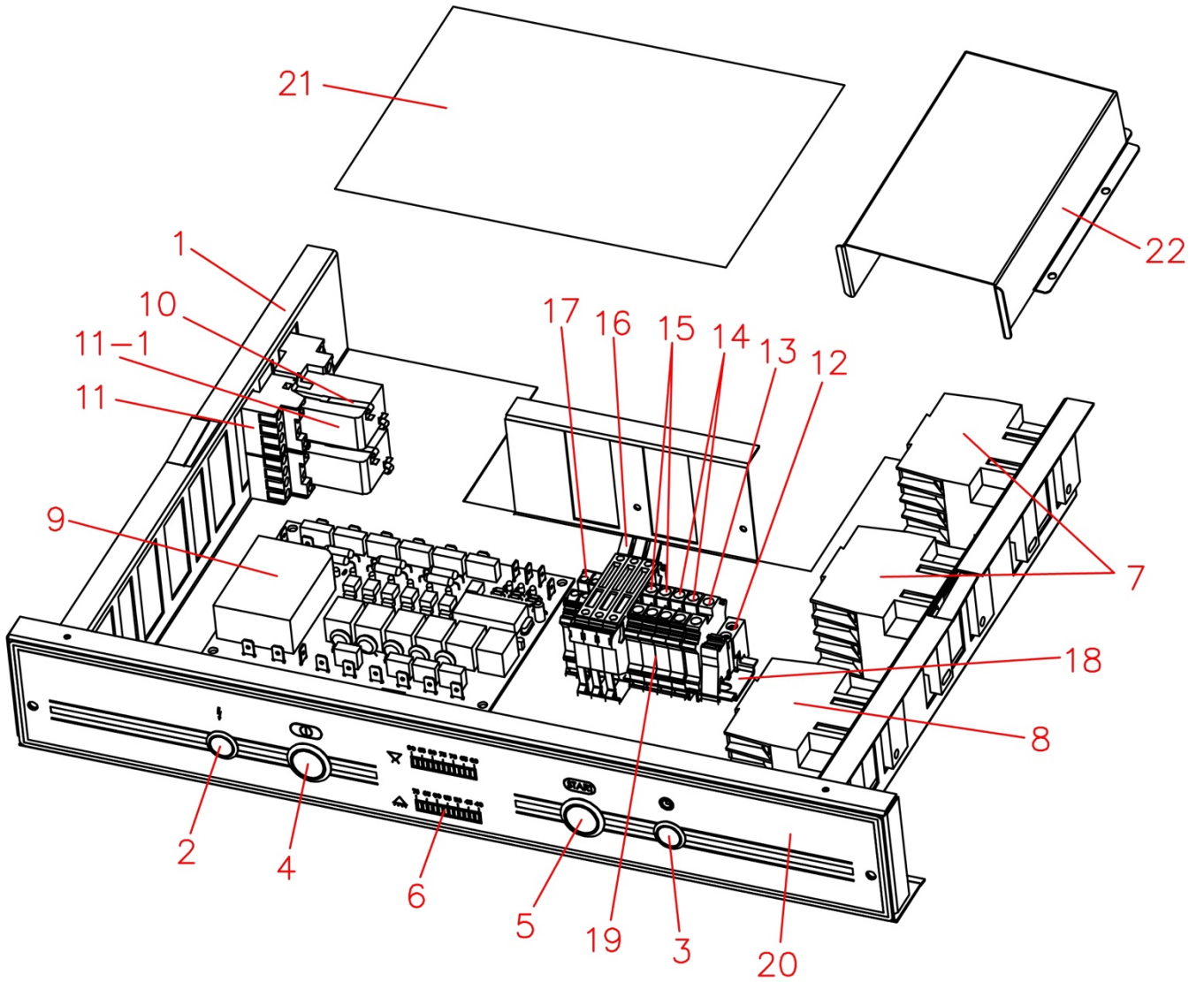
Location	Part No.	Description	Qty
1	0TXB-02-2	Base plate	1
2	0TXB-02-4	Booster Tank	1
3	G005-2KW-03	Booster Heater 2 kW	
4	F001-02/6-01	Heater Gasket	1
5	D026-1/8-01	Plug	1
6	E013-M6-01	Nut M6	6
7	E011-M6-01	Lock Washer M6	6
8	E012-M6-01	Flat Washer M6	6
9	F016-40305-01	Heater Cover	1
10	A012-02/4/6-01	T-Joint for Rinse Aid Injector	1
11	A012-07/5/3-01	Coupling	1
12	F021-D13-01	Connecting Hose (100 mm)	1
13	E018-11X25-01	Hose Clip	4
14	E001-M4X12-01	Screw	2
15	G017-220V-01	Solenoid Valve 220V	1
16	TXB-02-5-2	Solenoid Valve Holder	1
17	E007-M10-01	Nut M10	4
18	G003-B301/2350-01	Wash Pump	1

Door Lift



Location	Part No.	Description	Qty
1	0TXB-03	Door	1
2	0TX-01-4	Door Draw Bar	2
3	A012-01/4/4-01	Draw Bar Gasket	2
4	E001-M4X12-01	Oval Head Screw M4x12	6
5	F039-03/6-01	Door Clapboard	2
6	0TX-03-4	Door Platen	2
7	A012-01/4/3-01	Door Spindle	2
8	E015-M4-01	Lock Nut M4	6
9	A005-10X17X51-01	Magnet	1
10	0T2D-65318-8	Magnet Housing	1
11	0TX-01-4-2	Door Draw Bar Stopper	2
12	0TX-03-7	Bracket	2

Control Panel Assembly



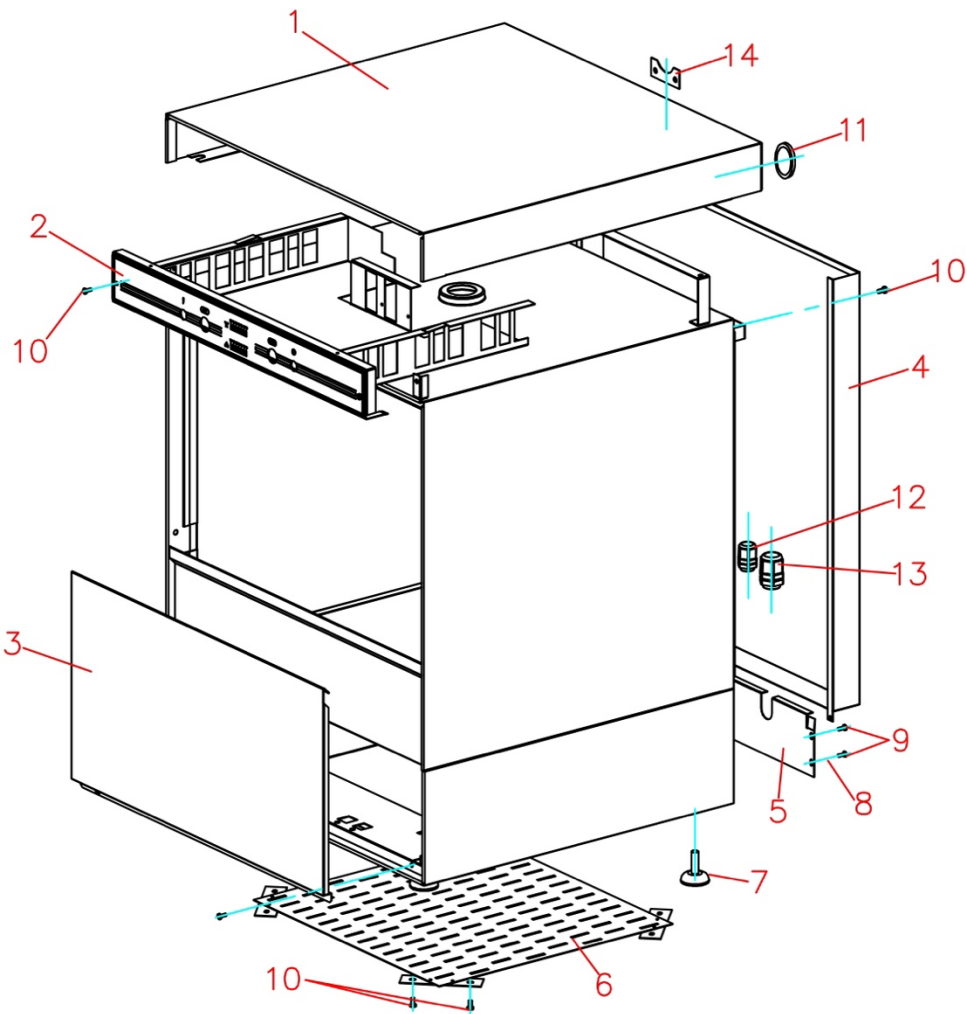
Undercounter Glass & Dish Washer, Model: UIM (s)

Control Panel Assembly

Location	Part No.	Description	Qty
1	0TXB-04	Electrical Box	1
2	G035-E/5V-01	Indicator Light (Yellow)	1
3	G035-E/5V-02	Indicator Light (Green)	1
4	G036-11Z-01	On / Off Button	1
5	G036-11-01	Start / Stop Button	1
6	G014-1020-01	Temperature Display	1
7	G008-E2501M5N-01	Wash Tank & Wash Pump Contactor	2
8	G008-E0610M5N-01	Booster Heater Contactor	1
9	G013-4006-01	Circuit Board	1
10	G012-RXZ410-01	Relay Clip	4
11	G028-RXZE1M4C-01	Relay Stand	2
11-1	G012-P7-02	Relay	2
12	G042-2G2-01	Track Holder	1
13	G041-6JD-01	Wiring Terminal	1
14	G041-6-02	Wire Terminal	2
15	G041-6-01	Wire Terminal	2
16	G041-4RD-01	Fuse Terminal	3
17	G041-4-01	Wire Terminal	2
18	G047-DG-01	Guide Rail	1
19	G032-G/DUK-01	Plate	1
20	G031-TX-01	Operating Face plate	1
21	F050-01	Plastic Plate	1
22	TXB-04-3-4	S.S. Cover	1

Undercounter Glass & Dish Washer, Model: UIM (s)

Hull Assembly



Location	Part No.	Description	Qty
1	0TXB-04-1	Top Panel	1
2	0TXB-04-3	Electrical Parts Bracket	1
3	0TXB-02-3B	Lower Front Panel	1
4	0TXB-04-2	Rear Panel	1
5	0TXB-04-5A	Lower Rear Panel	1
6	0TXB-02-11	Base plate	1
7	A012-02/9-01	Standing Feet	4
8	E021-M4-01	Washer	10
9	E002-M4x12-01	Panel Screw	10
10	E002-M5X10-01	Panel Screw	10
11	F040-D25-01	Rubber Ring	1
12	G029-PG11-01	11mm Conduit	2
13	G029-PG21/2-01	29mm Conduit	1
14	0TX-04-11	Bracket	1